



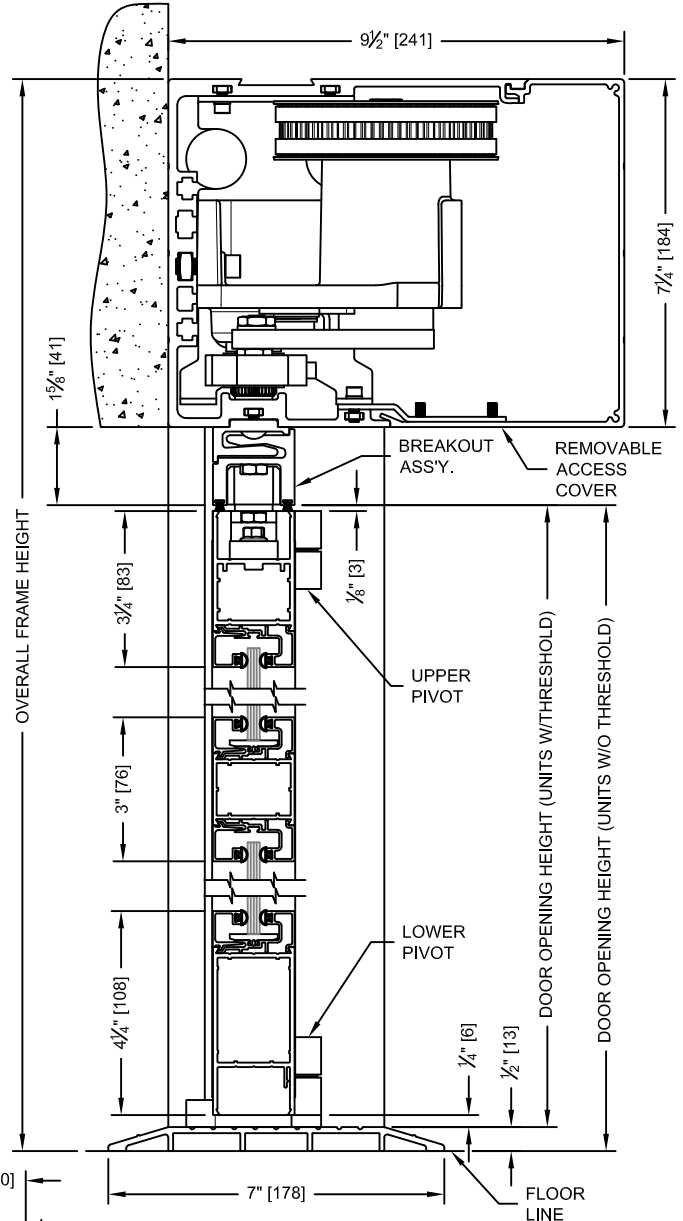
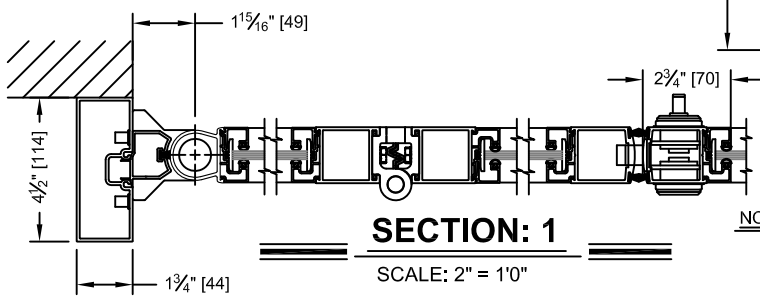
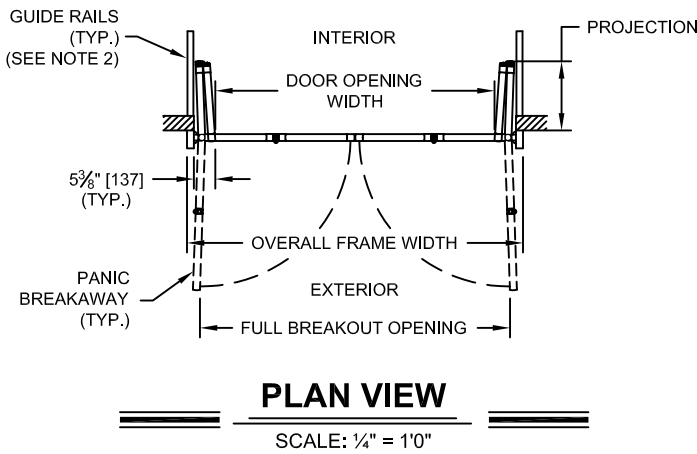
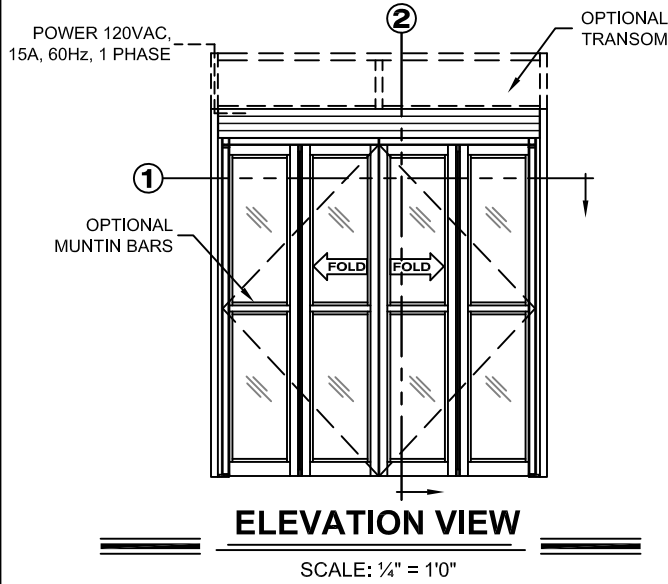
record-usa
4324 PHIL HARGETT CT.
MONROE, NC 28110
(704) 289-9212

JOB NAME: _____
LOCATION: _____

AUTOMATIC FOLDING DOOR SYSTEM

SERIES: 4600 SURFACE APPLIED FOLDING DOORS
MODEL: 4600 (DUAL)
TYPE: INFOLD / BREAK OUT

PAGE 45-2.03



- NOTES:**
- See sheets 45-2.05 thru 45-2.08 for optional muntins, bottom rails, glazing variations, thresholds, transoms & control panel options.
 - Folding doors must comply with the requirements of ANSI/BHMA A156.10 for public access.

DIMENSIONS FOR STANDARD PACKAGES							
OVERALL FRAME WIDTH	DOOR OPENING WIDTH	OVERALL FRAME HEIGHT	DOOR OPENING HEIGHT			FULL BREAKOUT OPENING	PROJECTION
			UNITS W/O THRESHOLD	UNITS W / 1/4" THRESHOLD	UNITS W / 1/2" THRESHOLD		
60 (1524)	45-3/4 (1162)	92 (2337)	83-1/8 (2111)	82-7/8 (2105)	82-5/8 (2099)	51 (1295)	11-1/4 (286)
72 (1829)	57-3/4 (1467)	92 (2337)	83-1/8 (2111)	82-7/8 (2105)	82-5/8 (2099)	63 (1600)	14-1/4 (362)
84 (2134)	69-3/4 (1772)	92 (2337)	83-1/8 (2111)	82-7/8 (2105)	82-5/8 (2099)	75 (1905)	17-1/4 (438)
96 (2438)	81-3/4 (2076)	92 (2337)	83-1/8 (2111)	82-7/8 (2105)	82-5/8 (2099)	87 (2210)	20-1/4 (515)

Measurements given in inches (millimeters).