



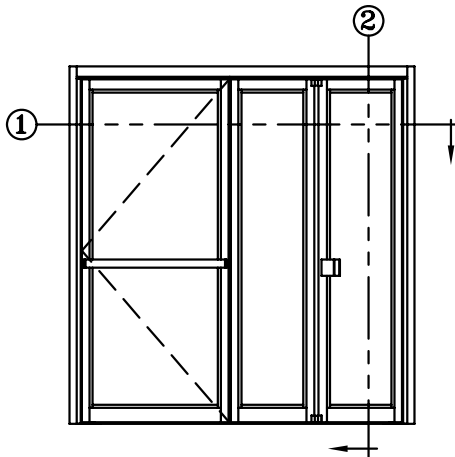
record-usa
4910 STARCREST DR.
MONROE, NC 28110
(704) 289 - 9212

JOB NAME: _____
LOCATION: _____

SERIES 4900 BI/FOLD BI/SWING ALL IN ONE MANUAL ICU

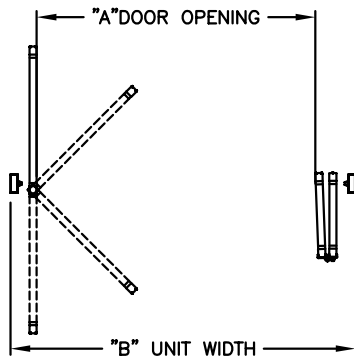
TYPE: 4903-1, L.H. OUTFOLD

PAGE 49-2.03



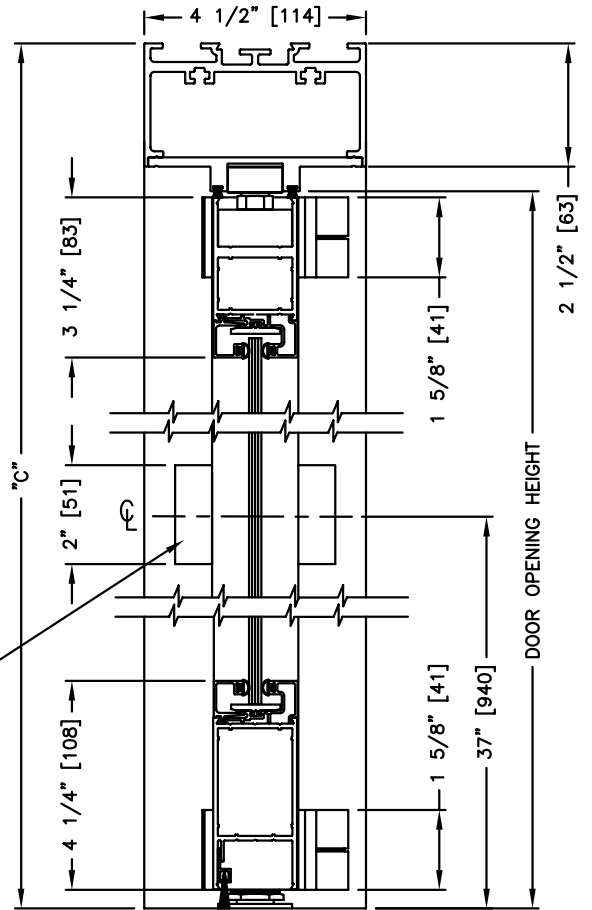
ELEVATION VIEW

SCALE: 1/4" = 1'0"



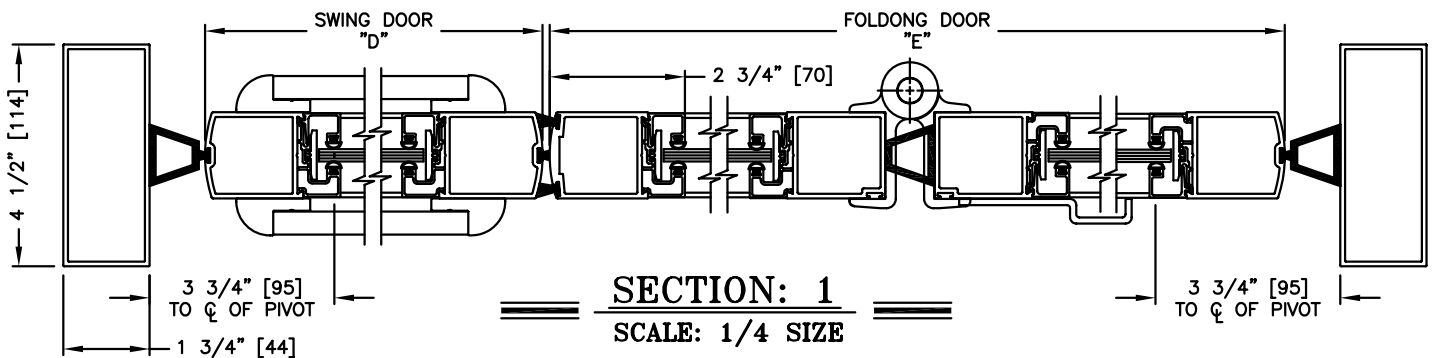
PLAN VIEW

SCALE: 1/4" = 1'0"



SECTION: 2

SCALE: 1/4 SIZE



SECTION: 1

SCALE: 1/4 SIZE

DIMENSIONS FOR STANDARD NARROW STILE PACKAGES

DOOR OPENING "A"	STD. PACKAGE WIDTH "B"	STD. PACKAGE HEIGHT "C"	DOOR OPENING HEIGHT	SWING DOOR LEAF "D"	FOLDING DOOR LEAF "E"
67-3/4 (1721)	84 (2134)	87 (2210)	84 (2134)	36 (914)	42-1/8 (1070)
79-3/4 (2026)	96 (2438)	87 (2210)	84 (2134)	36 (914)	54-1/8 (1375)
91-3/4 (2330)	108 (2743)	87 (2210)	84 (2134)	42 (1067)	60-1/8 (1527)
103-3/4 (2635)	120 (3048)	87 (2210)	84 (2134)	42 (1067)	72-1/8 (1832)

Measurements given in inches (millimeters).

Custom unit widths with swing door sizes up to 48" available