

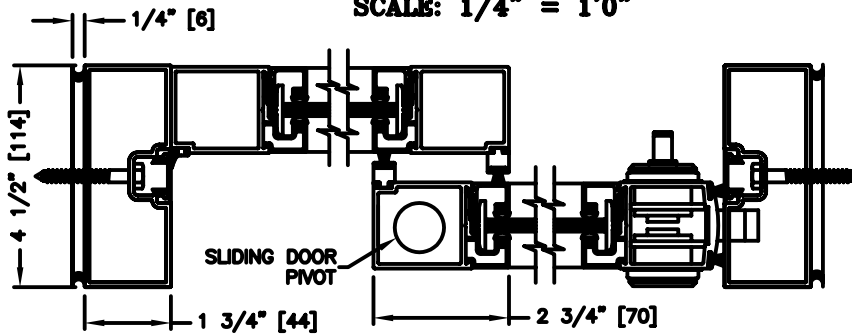
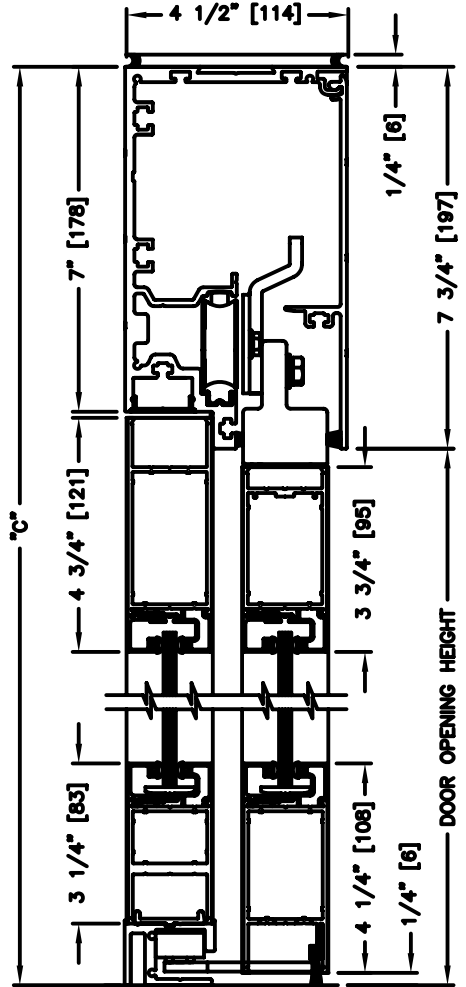
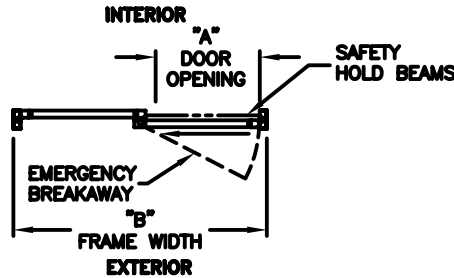
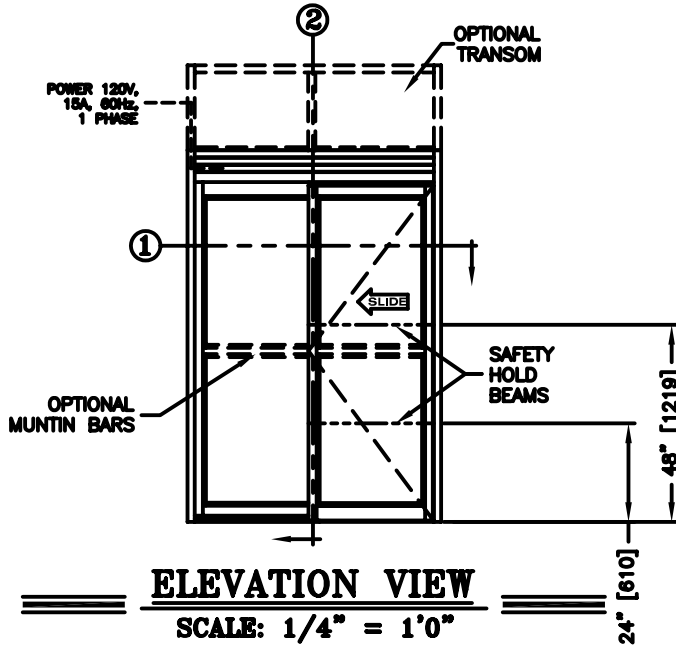


record-usa
4910 STARCREST DR.
MONROE, NC 28110
(704) 289 - 9212

JOB NAME: _____
LOCATION: _____

SERIES 5100 AUTOMATIC SLIDING DOORS

TYPE: 5101-1, 0-SX, L.H. SINGLE
PAGE 51-2.01



NOTES:

1. See sheets 51-2.86 thru 51-2.91 for optional muntins, bottom rails, transoms, glazing variations, bottom guides & thresholds.

DIMENSIONS FOR STANDARD NARROW STILE PACKAGES

DOOR OPENING "A"	STD. PACKAGE WIDTH "B"	STD. PACKAGE HEIGHT "C" W OR W/O THRESHOLD	DOOR OPENING HEIGHT W/ THRESHOLD	DOOR OPENING HEIGHT W/O THRESHOLD	MAX. OPENING MANUALLY
35-3/8 (899)	84 (2134)	91 (2311)	82-3/4 (2102)	83-1/4 (2115)	38-15/16 (989)
41-3/8 (1051)	96 (2438)	91 (2311)	82-3/4 (2102)	83-1/4 (2115)	44-15/16 (1141)
44-3/8 (1127)	102 (2591)	91 (2311)	82-3/4 (2102)	83-1/4 (2115)	47-15/16 (1218)
47-3/8 (1203)	108 (2743)	91 (2311)	82-3/4 (2102)	83-1/4 (2115)	50-15/16 (1294)

Masonry Opening is 1/4" (6) per side larger and 1/4" taller than package dimensions.
Measurements given in inches (millimeters).