



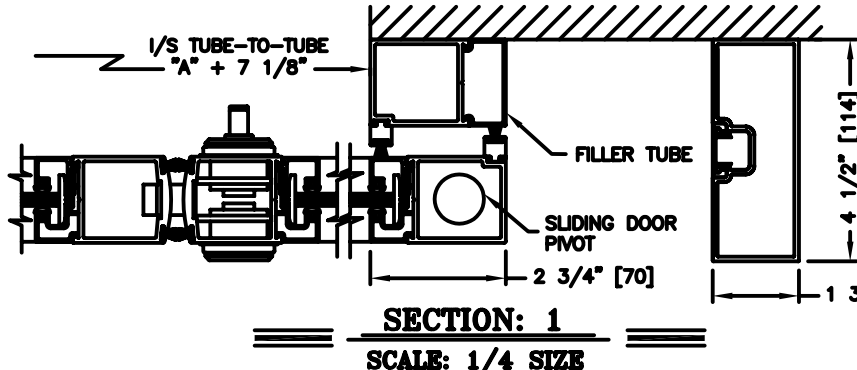
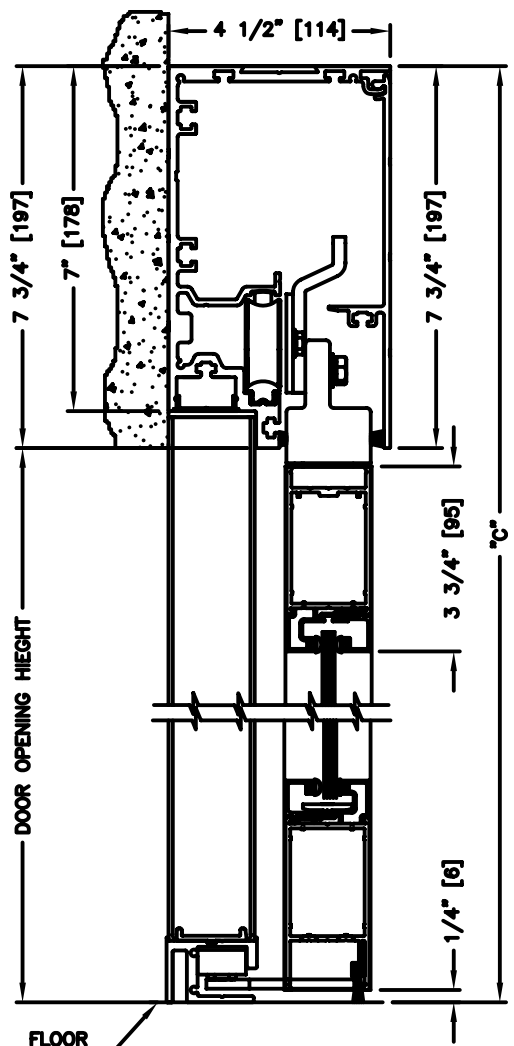
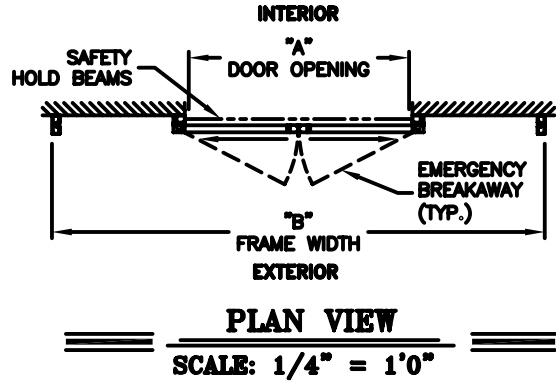
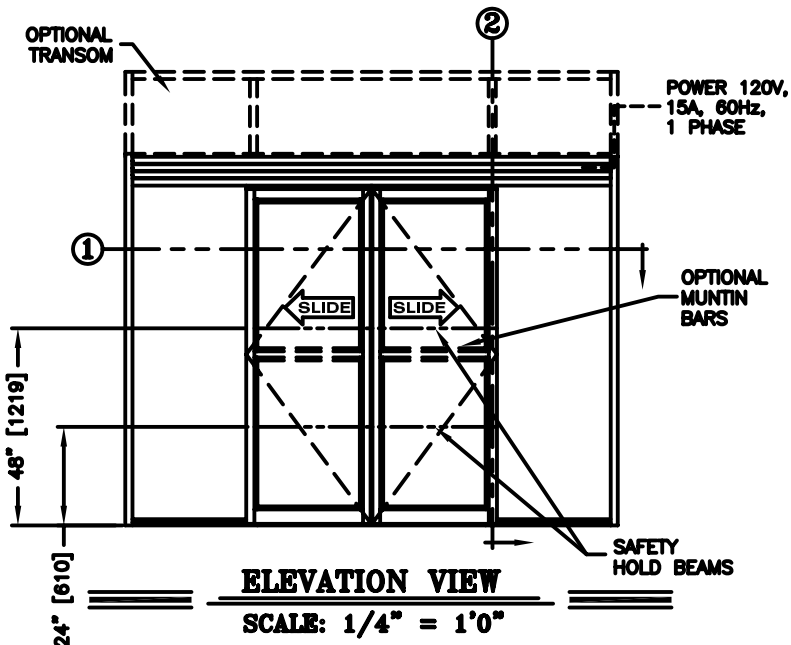
record-usa
4910 STARCREST DR.
MONROE, NC 28110
(704) 289 - 9212

JOB NAME: _____

LOCATION: _____

SERIES 5100 AUTOMATIC SLIDING DOORS

TYPE: 5109-1, P-SX-SX-P, BI-PART
PAGE 51-2.09



SECTION: 2
SCALE: 1/4 SIZE

NOTES:
1. See sheets 51-2.86 thru 51-2.91 for optional muntins, bottom rails, transoms, glazing variations, bottom guides & thresholds.

DIMENSIONS FOR STANDARD NARROW STILE PACKAGES					
DOOR OPENING "A"	STD. PACKAGE WIDTH "B"	STD. PACKAGE HEIGHT "C" W OR W/O THRESHOLD	DOOR OPENING HEIGHT W/ THRESHOLD	DOOR OPENING HEIGHT W/O THRESHOLD	I/S TUBE -TO-TUBE (MAX. OPENING MANUALLY)
42-1/2 (1080)	108 (2743)	91 (2311)	82-3/4 (2102)	83-1/4 (2115)	49-5/8 (1260)
48-1/2 (1232)	120 (3048)	91 (2311)	82-3/4 (2102)	83-1/4 (2115)	55-5/8 (1413)
60-1/2 (1537)	144 (3658)	91 (2311)	82-3/4 (2102)	83-1/4 (2115)	67-5/8 (1718)
72-1/2 (1842)	168 (4267)	91 (2311)	82-3/4 (2102)	83-1/4 (2115)	79-5/8 (2022)
84-1/2 (2146)	192 (4877)	91 (2311)	82-3/4 (2102)	83-1/4 (2115)	91-5/8 (2327)

Masonry Opening is 1/4" (6) per side larger and 1/4" taller than package dimensions.
Measurements given in inches (millimeters).