

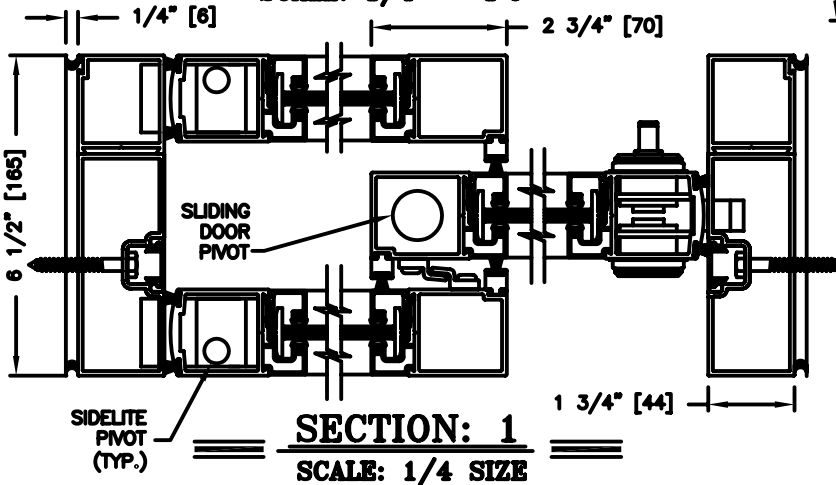
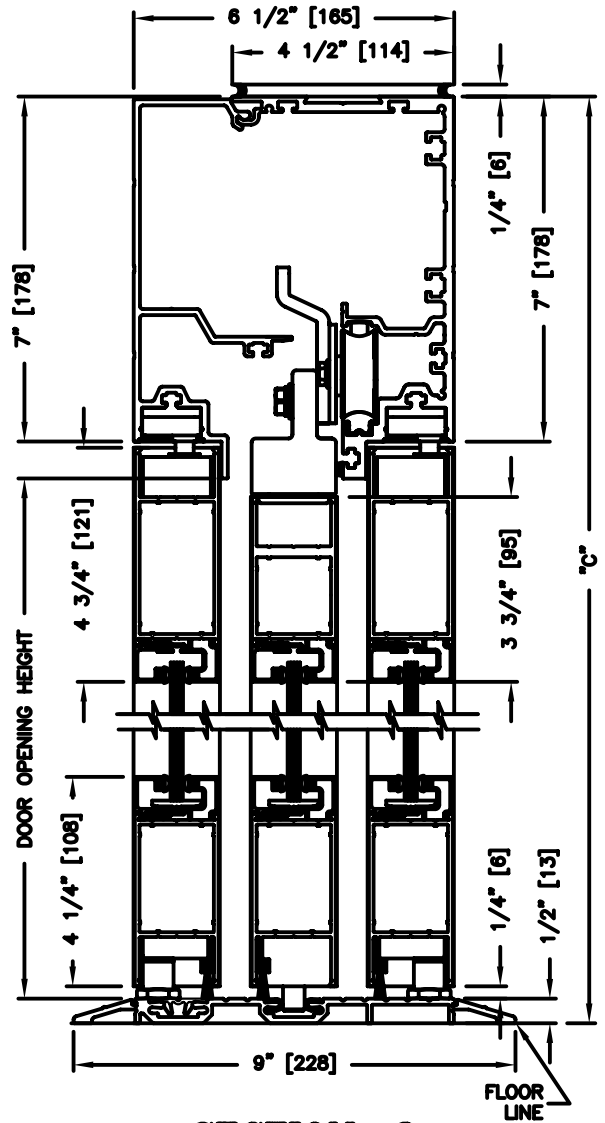
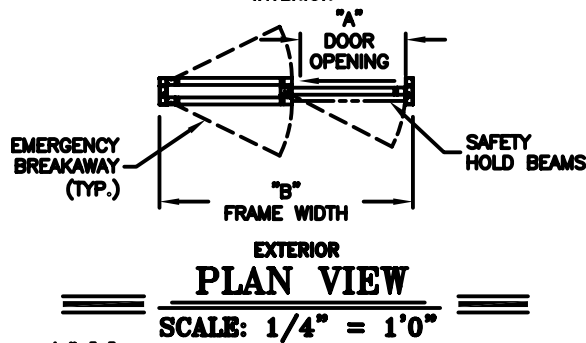
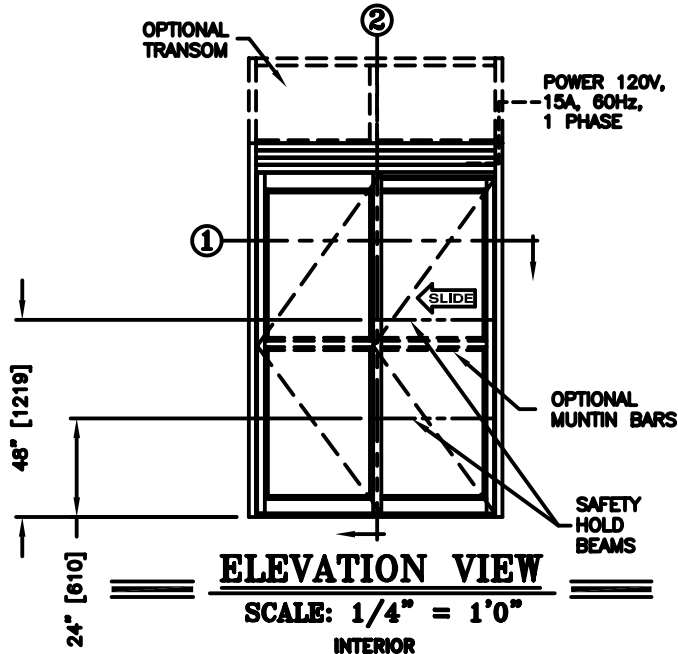


**record-usa**  
4910 STARCREST DR.  
MONROE, NC 28110  
(704) 289-9212

JOB NAME: \_\_\_\_\_  
LOCATION: \_\_\_\_\_

SERIES 5100 AUTOMATIC SLIDING DOORS

TYPE: 5110-1, SO/SO-SX L.H. SINGLE  
PAGE 51-2.10



**NOTES:**

1. See sheets 51-2.86 thru 51-2.91 for optional muntins, bottom rails, transoms, glazing variations, bottom guides & thresholds.
2. See sheet 51-2.92 for additional details of recessed pin guide.

**DIMENSIONS FOR STANDARD NARROW STILE PACKAGES**

DOOR OPENING "A"	STD. PACKAGE WIDTH "B"	STD. PACKAGE HEIGHT "C" W OR W/O THRESHOLD	DOOR OPENING HEIGHT W/ THRESHOLD	DOOR OPENING HEIGHT W/O THRESHOLD OR W/RECESSED PIN	MAX. OPENING MANUALLY
35-3/8 (899)	84 (2134)	91 (2311)	82-3/4 (2102)	83-1/4 (2115)	75-1/16 (1907)
41-3/8 (1051)	96 (2438)	91 (2311)	82-3/4 (2102)	83-1/4 (2115)	87-1/16 (2211)
44-3/8 (1127)	102 (2591)	91 (2311)	82-3/4 (2102)	83-1/4 (2115)	93-1/16 (2364)
47-3/8 (1203)	108 (2743)	91 (2311)	82-3/4 (2102)	83-1/4 (2115)	99-1/16 (2516)

Masonry Opening is 1/4" (6) per side larger and 1/4" taller than package dimensions.  
Measurements given in inches (millimeters).