

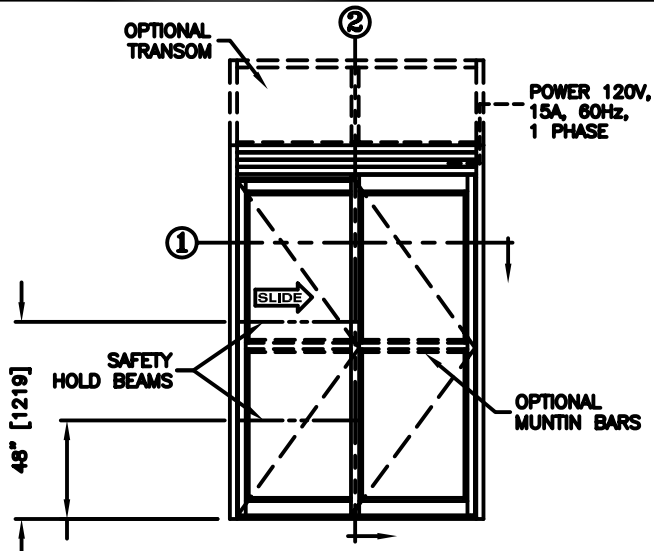


record-usa
4910 STARCREST DR.
MONROE, NC 28110
(704) 289-9212

JOB NAME: _____
LOCATION: _____

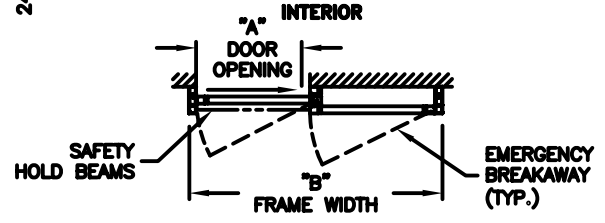
SERIES 5100 AUTOMATIC SLIDING DOORS

TYPE: 5114-1, SX-SO/P, R.H. SINGLE
PAGE 51-2.14



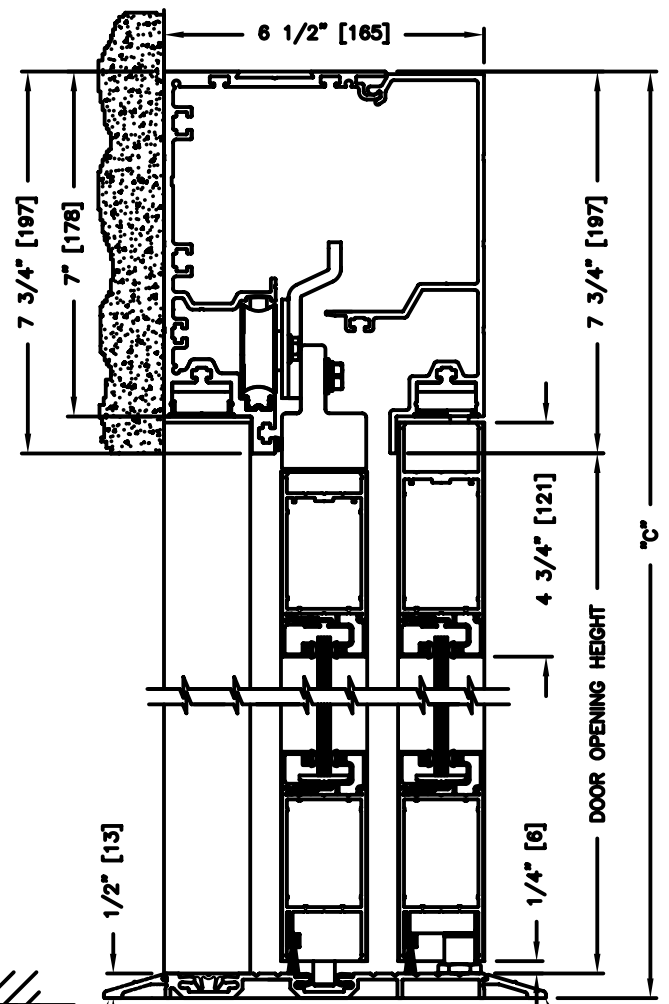
ELEVATION VIEW

SCALE: 1/4" = 1'0"



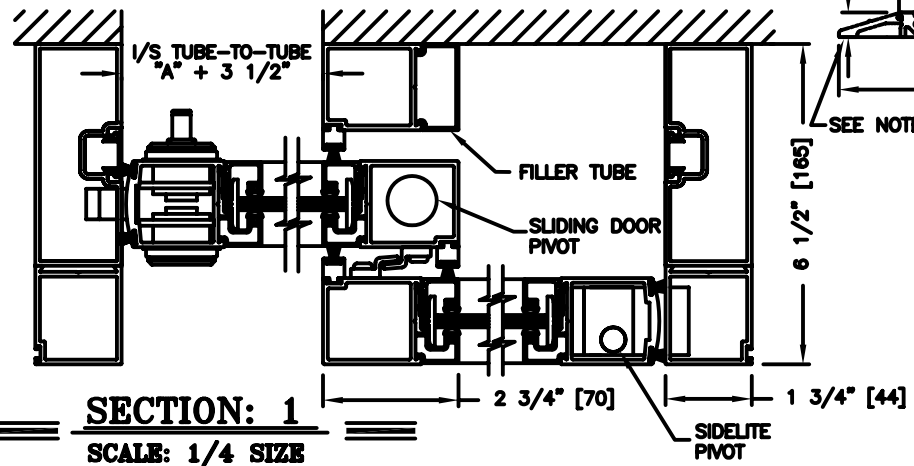
PLAN VIEW

SCALE: 1/4" = 1'0"



SECTION: 2

SCALE: 1/4 SIZE



SECTION: 1

SCALE: 1/4 SIZE

NOTES:

1. See sheets 51-2.86 thru 51-2.91 for optional muntins, bottom rails, transoms, glazing variations, bottom guides & thresholds.
2. See sheet 51-2.92 for additional details of recessed pin guide.
3. Threshold units have lead up on both sides.

DIMENSIONS FOR STANDARD NARROW STILE PACKAGES

DOOR OPENING "A"	STD. PACKAGE WIDTH "B"	STD. PACKAGE HEIGHT "C" W OR W/O THRESHOLD	DOOR OPENING HEIGHT W/ THRESHOLD	DOOR OPENING HEIGHT W/O THRESHOLD	1/8" TUBE -TO-TUBE (MAX. OPENING MANUALLY)
35-3/8 (899)	84 (2134)	91 (2311)	82-3/4 (2102)	83-1/4 (2115)	38-15/16 (989)
41-3/8 (1051)	96 (2438)	91 (2311)	82-3/4 (2102)	83-1/4 (2115)	44-15/16 (1141)
44-3/8 (1127)	102 (2591)	91 (2311)	82-3/4 (2102)	83-1/4 (2115)	47-15/16 (1218)
47-3/8 (1203)	108 (2743)	91 (2311)	82-3/4 (2102)	83-1/4 (2115)	50-15/16 (1294)

Masonry Opening is 1/4" (6) per side larger and 1/4" taller than package dimensions.
Measurements given in inches (millimeters).