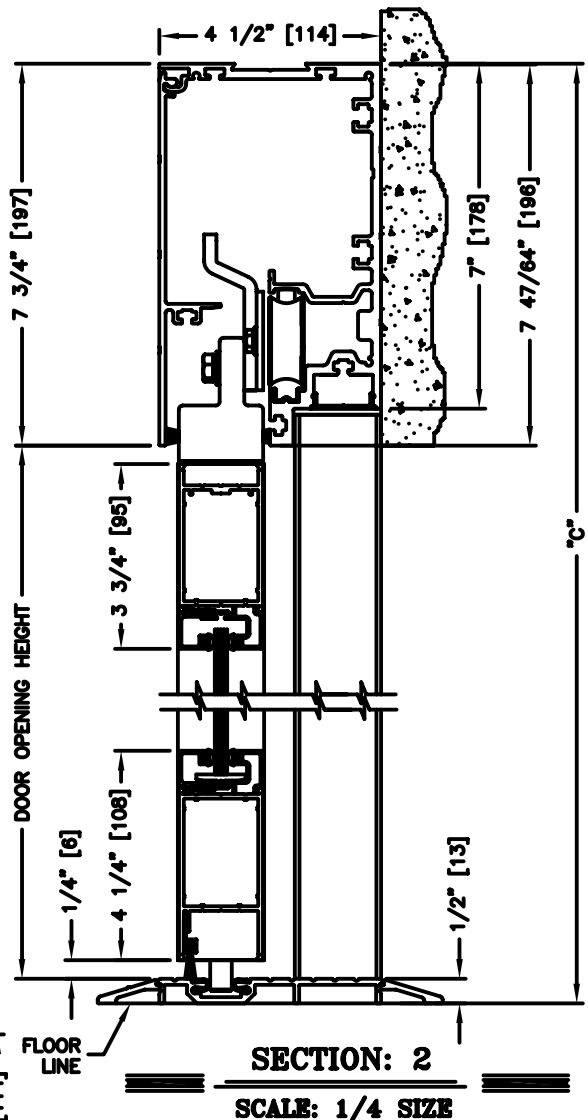
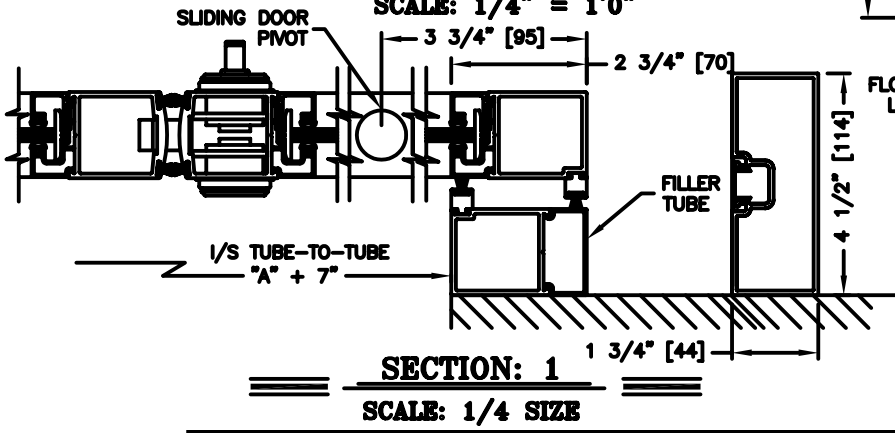
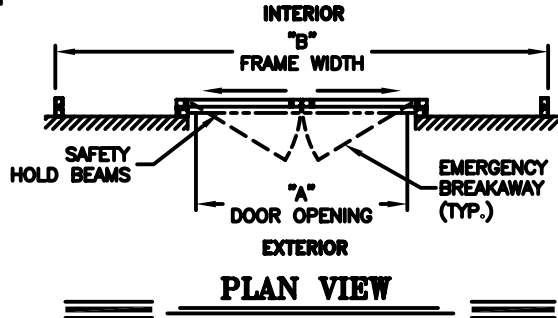
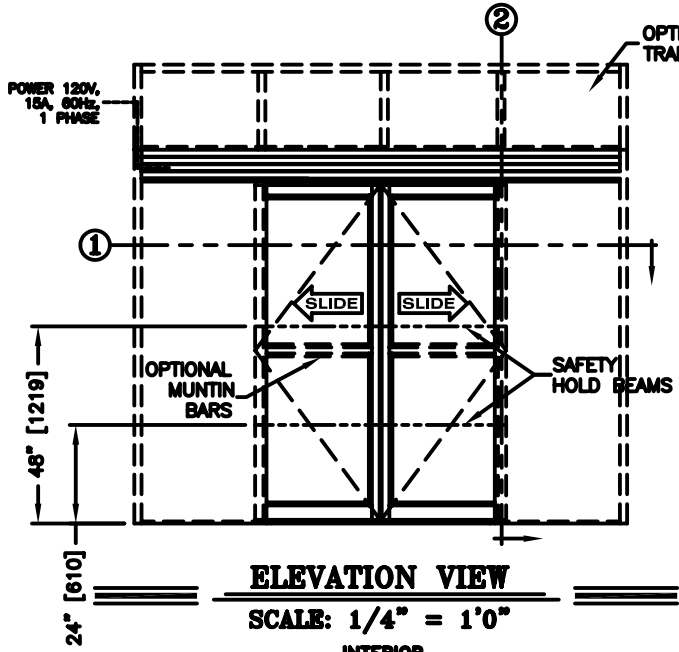




record-usa
4910 STARCREST DR.
MONROE, NC 28110
(704) 289 - 9212

JOB NAME: _____
LOCATION: _____

SERIES 5100 AUTOMATIC SLIDING DOORS
TYPE: 5118-1, P-SX-SX-P, BI-PART
PAGE 51-2.18



- NOTES:**
1. See sheets 51-2.86 thru 51-2.91 for optional muntins, bottom rails, transoms, glazing variations, bottom guides & thresholds.
 2. Door breakaway ONLY when fully closed. Consult with local authority having jurisdiction for approved use.
 3. See sheet 51-2.92 for additional details of recessed pin guide.

DIMENSIONS FOR STANDARD NARROW STILE PACKAGES						
DOOR OPENING "A"	STD. PACKAGE WIDTH "B"	STD. PACKAGE HEIGHT "C" W OR W/O THRESHOLD	DOOR OPENING HEIGHT W/ THRESHOLD	DOOR OPENING HEIGHT W/O THRESHOLD	I/S TUBE -TO-TUBE	MAX. OPENING MANUALLY
42-1/2 (1080)	108 (2743)	91 (2311)	82-3/4 (2102)	83-1/4 (2115)	49-1/2 (1257)	46 (1168)
48-1/2 (1232)	120 (3048)	91 (2311)	82-3/4 (2102)	83-1/4 (2115)	55-1/2 (1410)	52 (1321)
60-1/2 (1537)	144 (3658)	91 (2311)	82-3/4 (2102)	83-1/4 (2115)	67-1/2 (1715)	64 (1626)
72-1/2 (1842)	168 (4267)	91 (2311)	82-3/4 (2102)	83-1/4 (2115)	79-1/2 (2019)	76 (1930)
84-1/2 (2146)	192 (4877)	91 (2311)	82-3/4 (2102)	83-1/4 (2115)	91-1/2 (2324)	88 (2235)

Masonry Opening is 1/4" (6) per side larger and 1/4" taller than package dimensions.
Measurements given in inches (millimeters).