



**record-usa**  
4910 STARCREST DR.  
MONROE, NC 28110  
(704) 289 - 9212

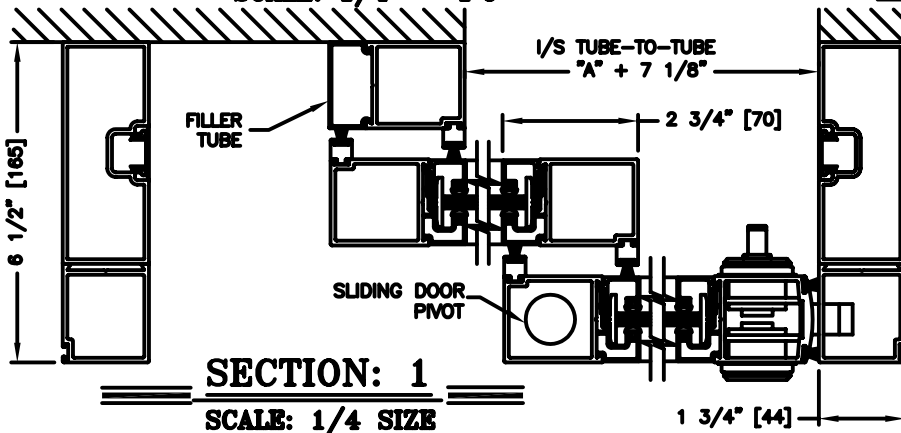
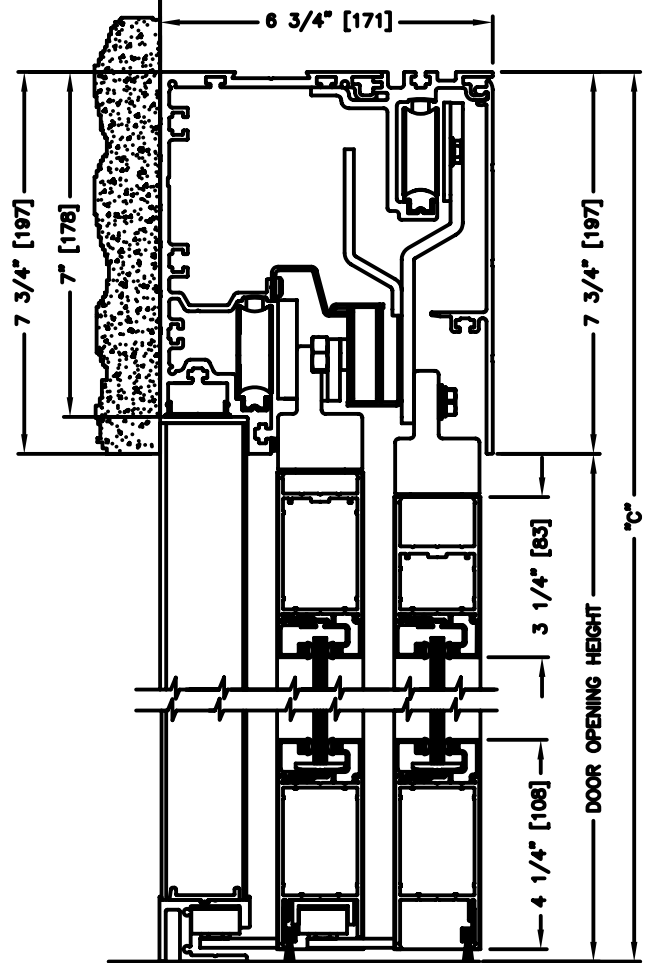
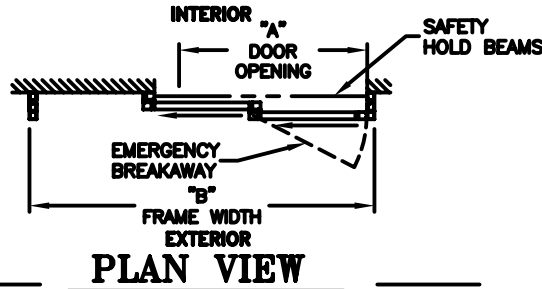
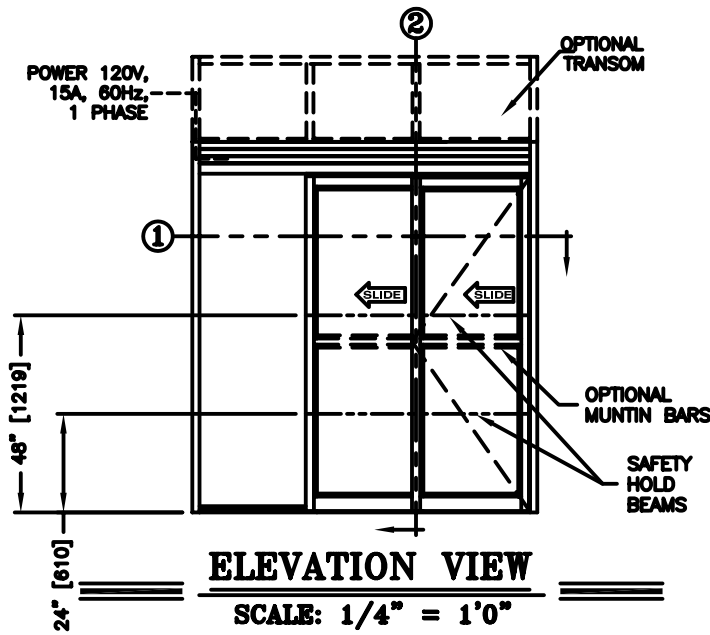
JOB NAME: \_\_\_\_\_

LOCATION: \_\_\_\_\_

SERIES 5100 AUTOMATIC SLIDING DOORS

TYPE: 5125-1, P-X-SX, L.H. TELESCOPE

PAGE 51-2.25



**NOTES:**

- See sheets 51-2.86 thru 51-2.91 for optional muntins, bottom rails, transoms, glazing variations, bottom guides & thresholds.

**DIMENSIONS FOR STANDARD NARROW STILE PACKAGES**

| DOOR OPENING "A" | STD. PACKAGE WIDTH "B" | STD. PACKAGE HEIGHT "C" W OR W/O THRESHOLD | DOOR OPENING HEIGHT W/ THRESHOLD | DOOR OPENING HEIGHT W/O THRESHOLD | MAX. OPENING MANUALLY | 1/8" TUBE-TO-TUBE |
|------------------|------------------------|--|----------------------------------|-----------------------------------|-----------------------|-------------------|
| 44-3/4 (1137)    | 84 (2134)              | 91 (2311)                                  | 82-3/4 (2102)                    | 83-1/4 (2115)                     | 48-5/16 (1227)        | 51-7/8 (1318)     |
| 52-3/4 (1340)    | 96 (2438)              | 91 (2311)                                  | 82-3/4 (2102)                    | 83-1/4 (2115)                     | 56-5/16 (1430)        | 59-7/8 (1521)     |
| 60-3/4 (1543)    | 108 (2743)             | 91 (2311)                                  | 82-3/4 (2102)                    | 83-1/4 (2115)                     | 64-5/16 (1634)        | 67-7/8 (1724)     |
| 68-3/4 (1746)    | 120 (3048)             | 91 (2311)                                  | 82-3/4 (2102)                    | 83-1/4 (2115)                     | 72-5/16 (1837)        | 75-7/8 (1927)     |
| 84-3/4 (2153)    | 144 (3658)             | 91 (2311)                                  | 82-3/4 (2102)                    | 83-1/4 (2115)                     | 88-5/16 (2243)        | 91-7/8 (2334)     |

Masonry Opening is 1/4" (6) per side larger and 1/4" taller than package dimensions.  
Measurements given in inches (millimeters).