



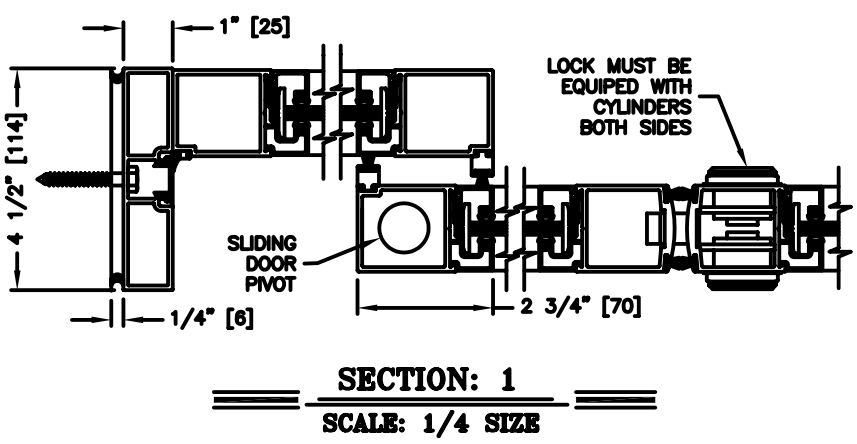
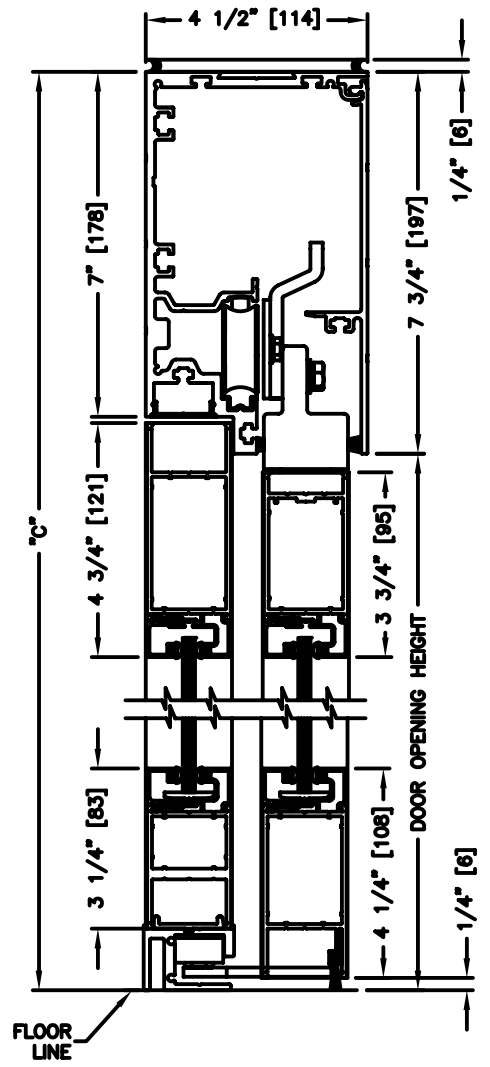
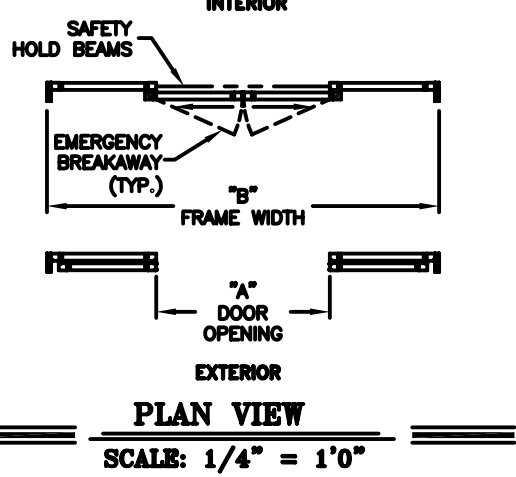
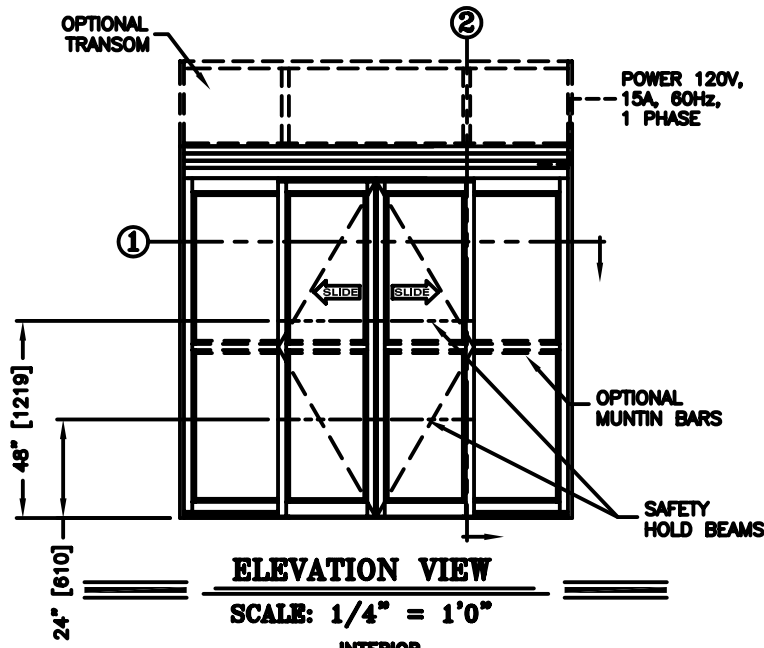
record-usa
4910 STARCREST DR.
MONROE, NC 28110
(704) 289 - 9212

JOB NAME: _____

LOCATION: _____

SERIES 5100 AUTOMATIC SLIDING DOORS

TYPE: 5103-1, 0-SX-SX-0, BI-PART
8 FT. CORRIDOR PACKAGE PAGE 51-2.29



NOTE:
See sheets 51-2.86 thru 51-2.91 for optional muntins, bottom rails, transoms, glazing variations, bottom guides & thresholds.

DIMENSIONS FOR STANDARD NARROW STILE PACKAGES					
DOOR OPENING "A"	STD. PACKAGE WIDTH "B"	STD. PACKAGE HEIGHT "C" W OR W/O THRESHOLD	DOOR OPENING HEIGHT W/ THRESHOLD	DOOR OPENING HEIGHT W/O THRESHOLD	MAX. OPENING MANUALLY
42-1/4 (1073)	95 1/2 (2426)	91 (2311)	82-3/4 (2102)	83-1/4 (2115)	42-1/4 (1073)

Masonry Opening is 1/4" (6) per side larger and 1/4" taller than package dimensions.
Measurements given in inches (millimeters).