



record-usa
4910 STARCREST DR.
MONROE, NC 28110
(704) 289 - 9212

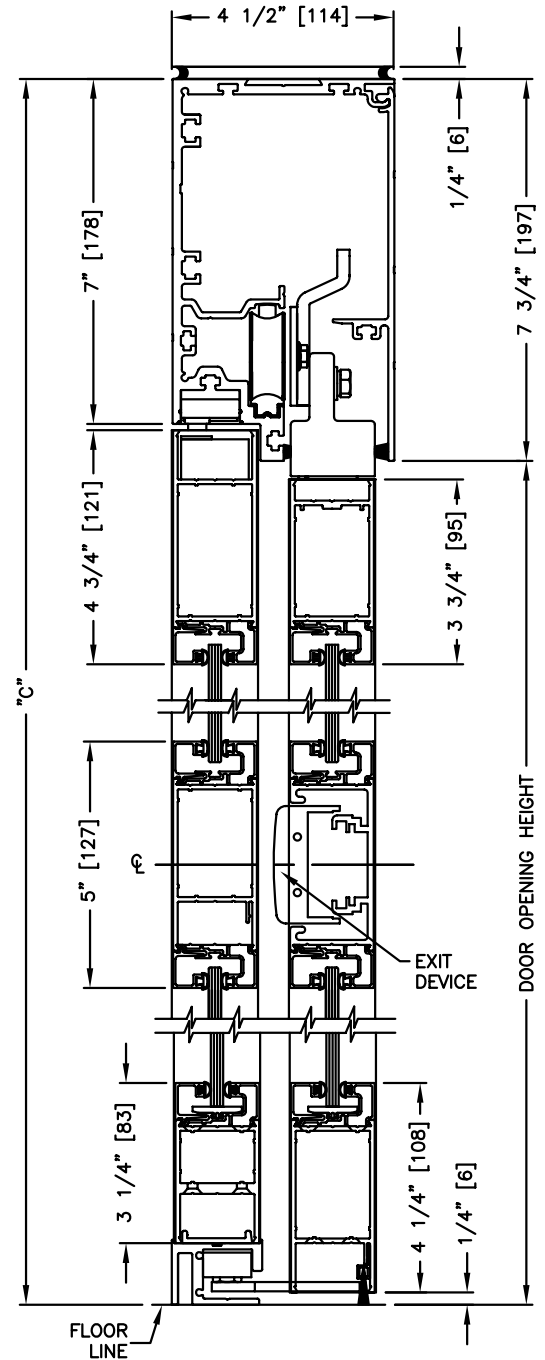
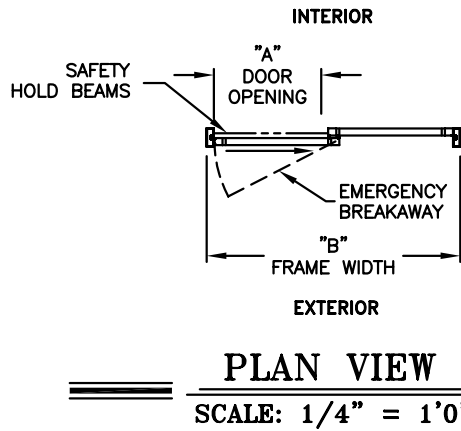
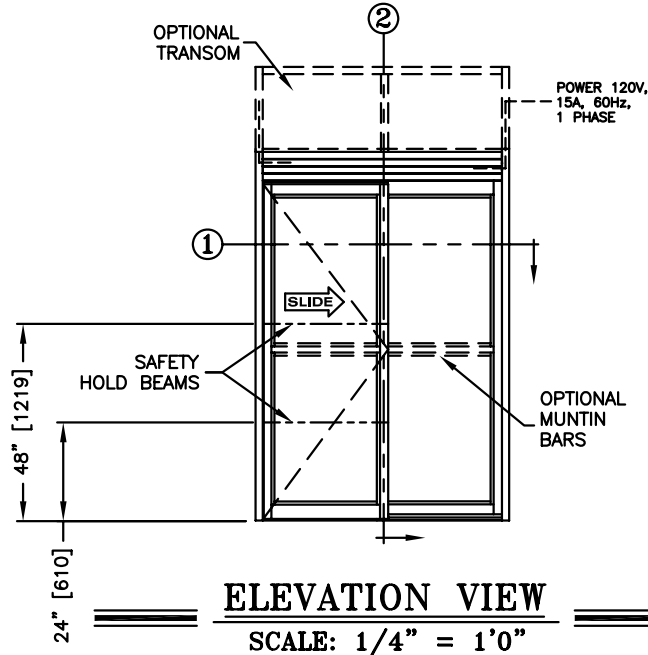
JOB NAME: _____

LOCATION: _____

SERIES 5100 AUTOMATIC SLIDING DOORS

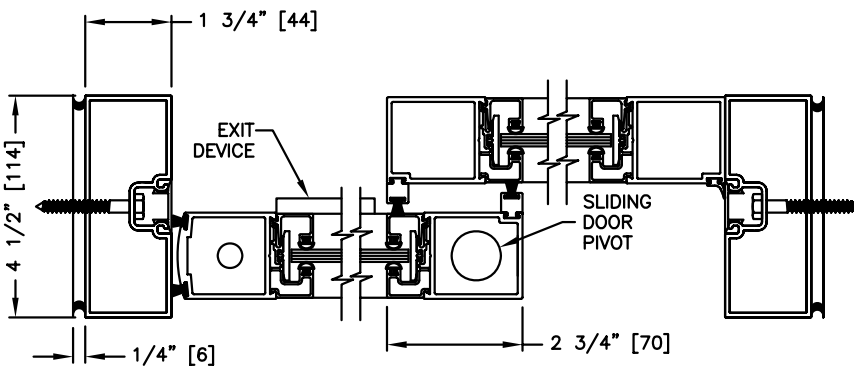
TYPE; 5102-1, SX-0, R.H. SINGLE
WITH SECURITY PACKAGE

PAGE 51-2.34



SECTION: 2

SCALE: 1/4 SIZE



SECTION: 1

SCALE: 1/4 SIZE

NOTES:

1. Security Package includes concealed vertical rod type exit device on the sliding door and fail secure electric lock in the header.
2. See sheets 51-2.86 thru 51-2.91 for optional muntins, bottom rails, transoms, glazing variations, bottom guides & thresholds.
3. See sheet 51-2.02 for package size details.