



record-usa
4910 STARCREST DR.
MONROE, NC 28110
(704) 289 - 9212

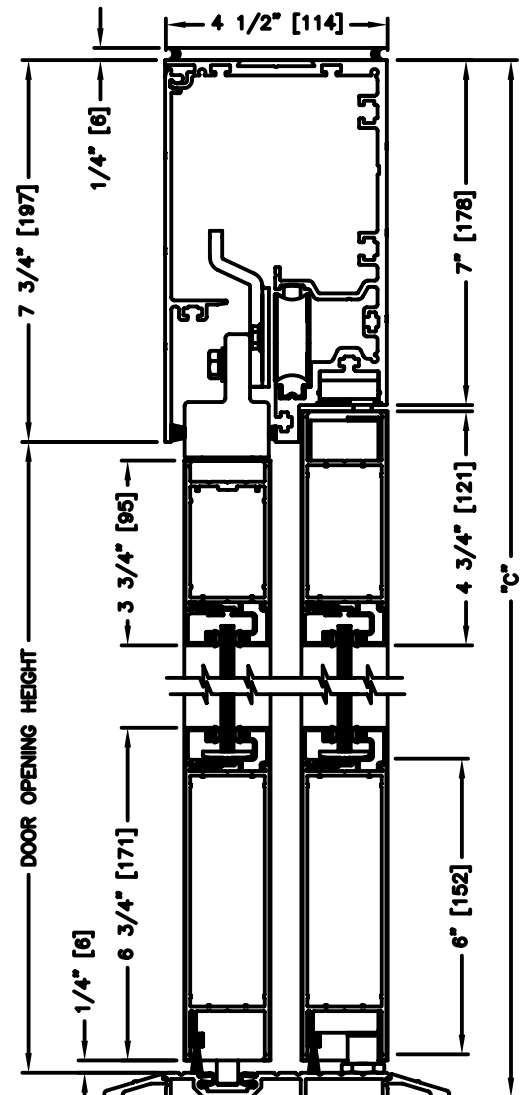
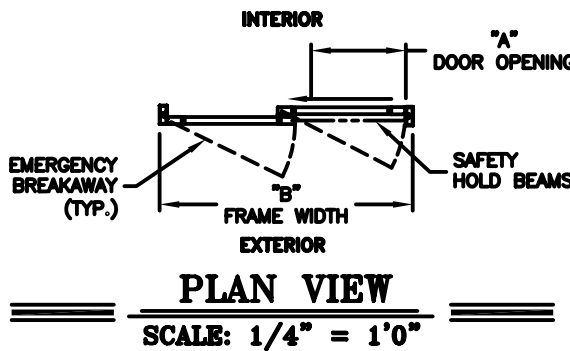
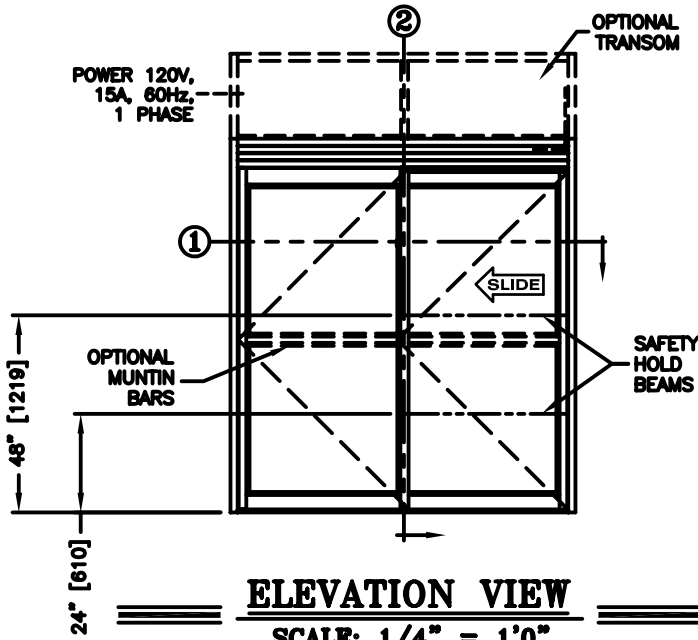
JOB NAME: _____

LOCATION: _____

SERIES 5100 AUTOMATIC SLIDING DOORS

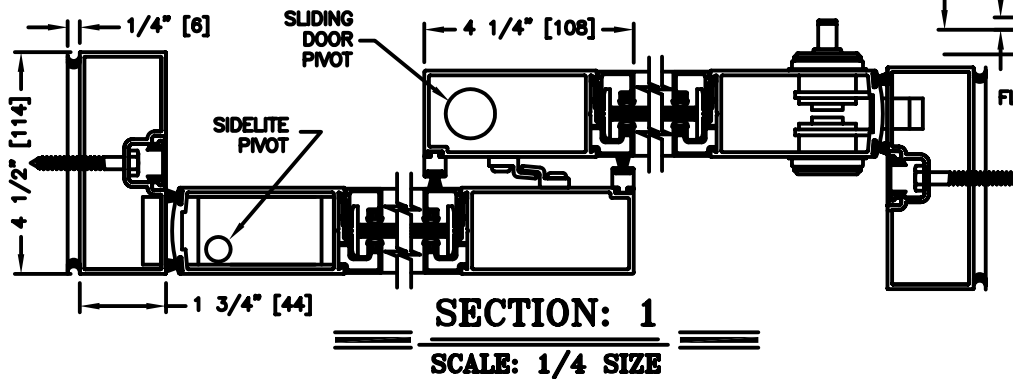
TYPE: 5104-2, SO-SX, L.H. SINGLE
MEDIUM STILE

PAGE 51-2.45



NOTES:

1. See sheets 51-2.86 thru 51-2.91 for optional muntins, bottom rails, transoms, glazing variations, bottom guides & thresholds.
2. See sheet 51-2.92 for additional details of recessed pin guide.



DIMENSIONS FOR STANDARD MEDIUM STILE PACKAGES					
DOOR OPENING "A"	STD. PACKAGE WIDTH "B"	STD. PACKAGE HEIGHT "C" W OR W/O THRESHOLD	DOOR OPENING HEIGHT W/ THRESHOLD	DOOR OPENING HEIGHT W/O THRESHOLD OR W/RECESSED PIN	MAX. OPENING MANUALLY
33-1/8 (841)	84 (2134)	91 (2311)	82-3/4 (2102)	83-1/4 (2115)	73-9/16 (1868)
39-1/8 (994)	96 (2438)	91 (2311)	82-3/4 (2102)	83-1/4 (2115)	85-9/16 (2173)
42-1/8 (1070)	102 (2591)	91 (2311)	82-3/4 (2102)	83-1/4 (2115)	91-9/16 (2326)
45-1/8 (1146)	108 (2743)	91 (2311)	82-3/4 (2102)	83-1/4 (2115)	97-9/16 (2478)

Masonry Opening is 1/4" (6) per side larger and 1/4" taller than package dimensions.
Measurements given in inches (millimeters).