



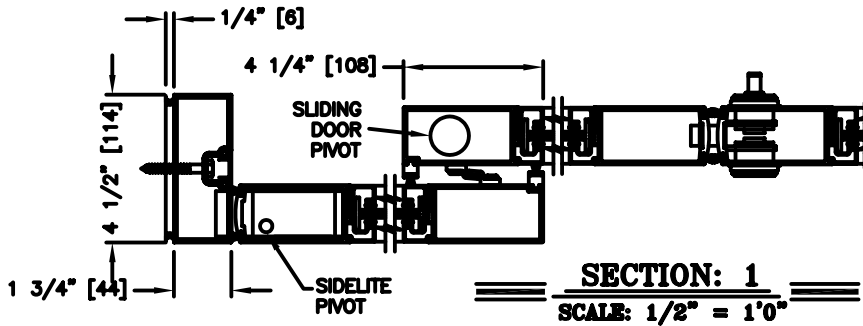
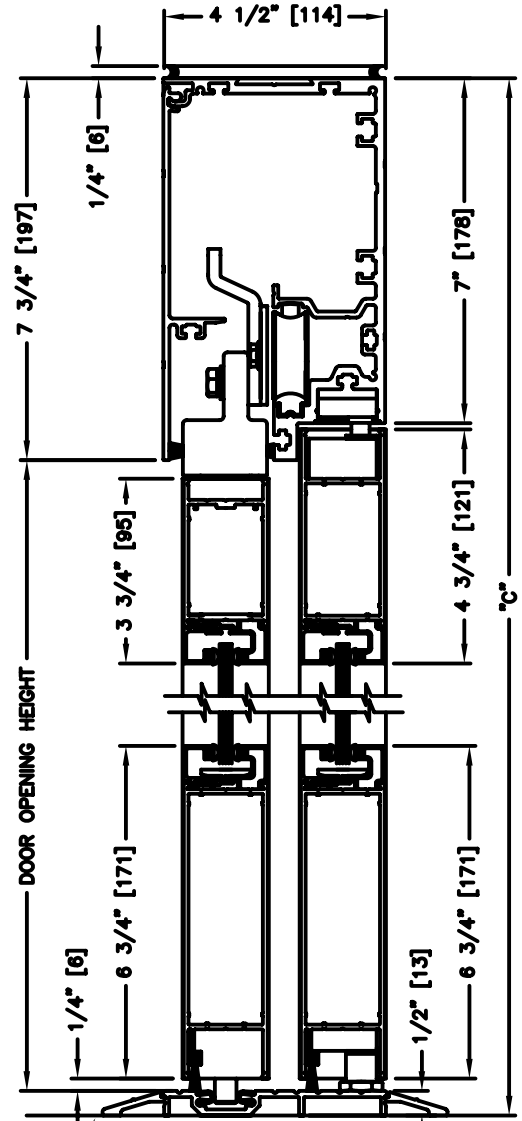
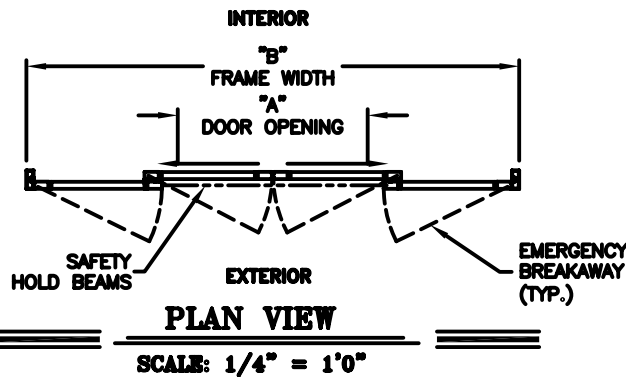
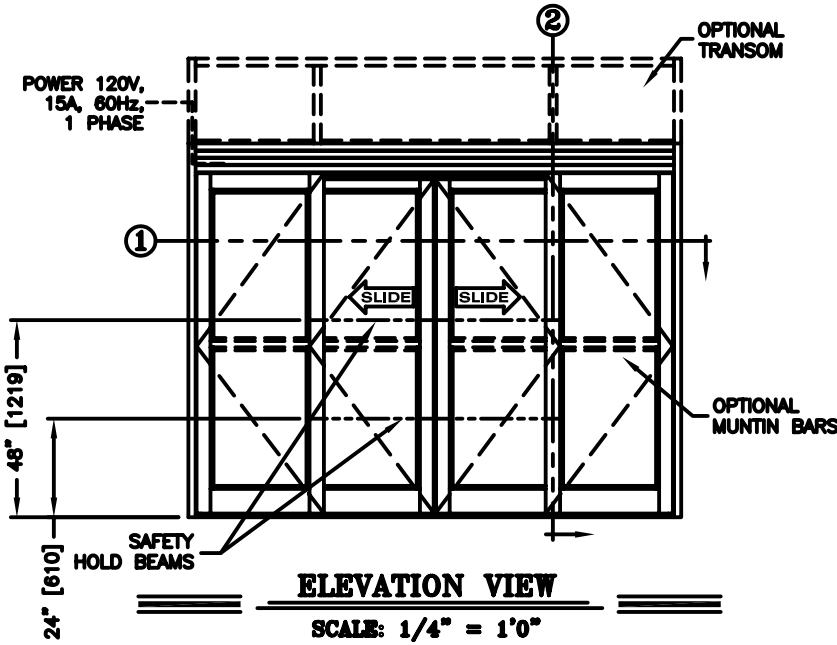
record-usa
4910 STARCREST DR.
MONROE, NC 28110
(704) 289 - 9212

JOB NAME: _____

LOCATION: _____

SERIES 5100 AUTOMATIC SLIDING DOORS

TYPE: 5106-2, SO-SX-SX-SO, BI-PART
MEDIUM STILE
PAGE 51-2.47



NOTES:

1. See sheets 51-2.86 thru 51-2.91 for optional muntins, bottom rails, transoms, glazing variations, bottom guides & thresholds.
2. See sheet 51-2.92 for additional details of recessed pin guide.

DIMENSIONS FOR STANDARD MEDIUM STILE PACKAGES

DOOR OPENING "A"	STD. PACKAGE WIDTH "B"	STD. PACKAGE HEIGHT "C" W OR W/O THRESHOLD	DOOR OPENING HEIGHT W/ THRESHOLD	DOOR OPENING HEIGHT W/O THRESHOLD OR W/RECESSED PIN	MAX. OPENING MANUALLY
38 (965)	108 (2743)	91 (2311)	82-3/4 (2102)	83-1/4 (2115)	90-5/8 (2302)
44 (1118)	120 (3048)	91 (2311)	82-3/4 (2102)	83-1/4 (2115)	102-5/8 (2607)
56 (1422)	144 (3658)	91 (2311)	82-3/4 (2102)	83-1/4 (2115)	126-5/8 (3216)
68 (1727)	168 (4267)	91 (2311)	82-3/4 (2102)	83-1/4 (2115)	150-5/8 (3826)
80 (2032)	192 (4877)	91 (2311)	82-3/4 (2102)	83-1/4 (2115)	174-5/8 (4435)

Masonry Opening is 1/4" (6) per side larger and 1/4" taller than package dimensions.
Measurements given in inches (millimeters).