



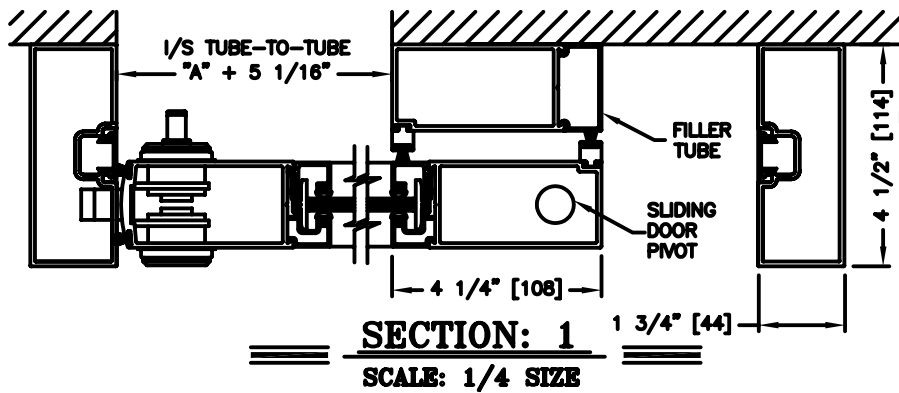
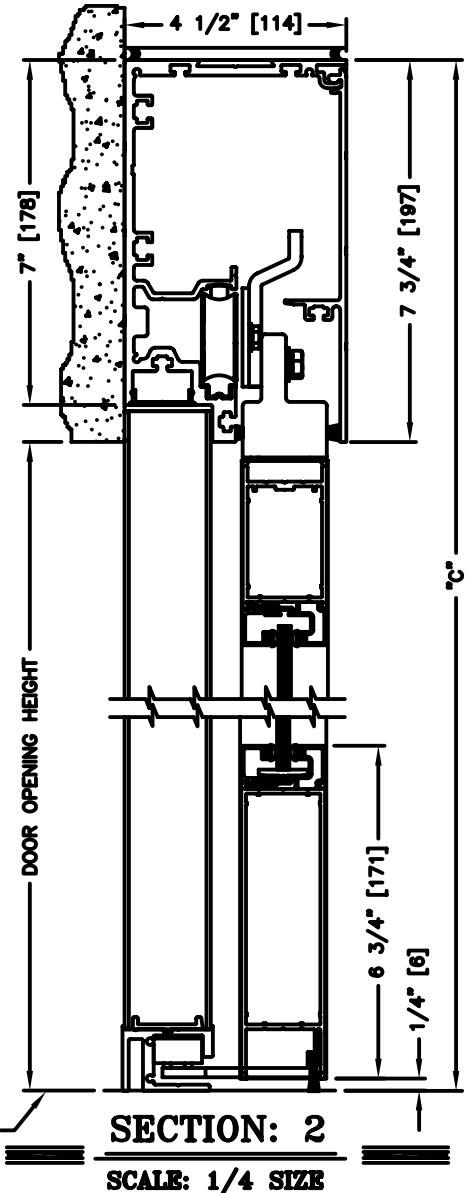
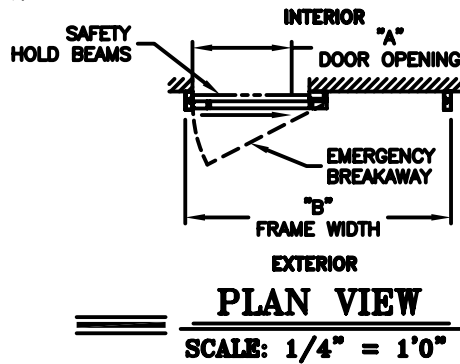
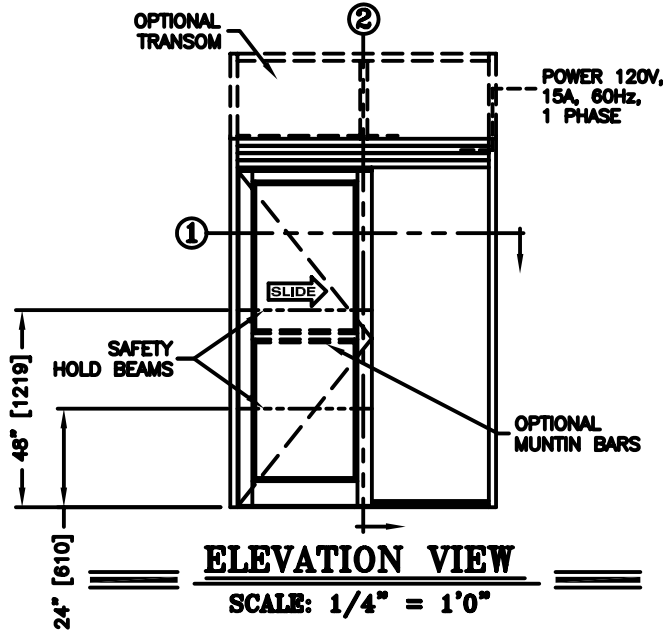
**record-usa**  
4910 STARCREST DR.  
MONROE, NC 28110  
(704) 289 - 9212

JOB NAME: \_\_\_\_\_

LOCATION: \_\_\_\_\_

SERIES 5100 AUTOMATIC SLIDING DOORS

TYPE: 5108-2, SX-P, R.H. SINGLE  
MEDIUM STILE PAGE 51-2.49



**NOTE:**

See sheets 51-2.86 thru 51-2.91 for optional muntins, bottom rails, transoms, glazing variations, bottom guides & thresholds.

**DIMENSIONS FOR STANDARD MEDIUM STILE PACKAGES**

DOOR OPENING "A"	STD. PACKAGE WIDTH "B"	STD. PACKAGE HEIGHT "C" W OR W/O THRESHOLD	DOOR OPENING HEIGHT W/ THRESHOLD	DOOR OPENING HEIGHT W/O THRESHOLD	1/8 TUBE -TO-TUBE (MAX. OPENING MANUALLY)
33-1/8 (841)	84 (2134)	91 (2311)	82-3/4 (2102)	83-1/4 (2115)	38-3/16 (970)
39-1/8 (994)	96 (2438)	91 (2311)	82-3/4 (2102)	83-1/4 (2115)	44-3/16 (1122)
42-1/8 (1070)	102 (2591)	91 (2311)	82-3/4 (2102)	83-1/4 (2115)	47-3/16 (1199)
45-1/8 (1146)	108 (2743)	91 (2311)	82-3/4 (2102)	83-1/4 (2115)	50-3/16 (1275)

Masonry Opening is 1/4" (6) per side larger and 1/4" taller than package dimensions.  
Measurements given in inches (millimeters).