



record-usa
4910 STARCREST DR.
MONROE, NC 28110
(704) 289 - 9212

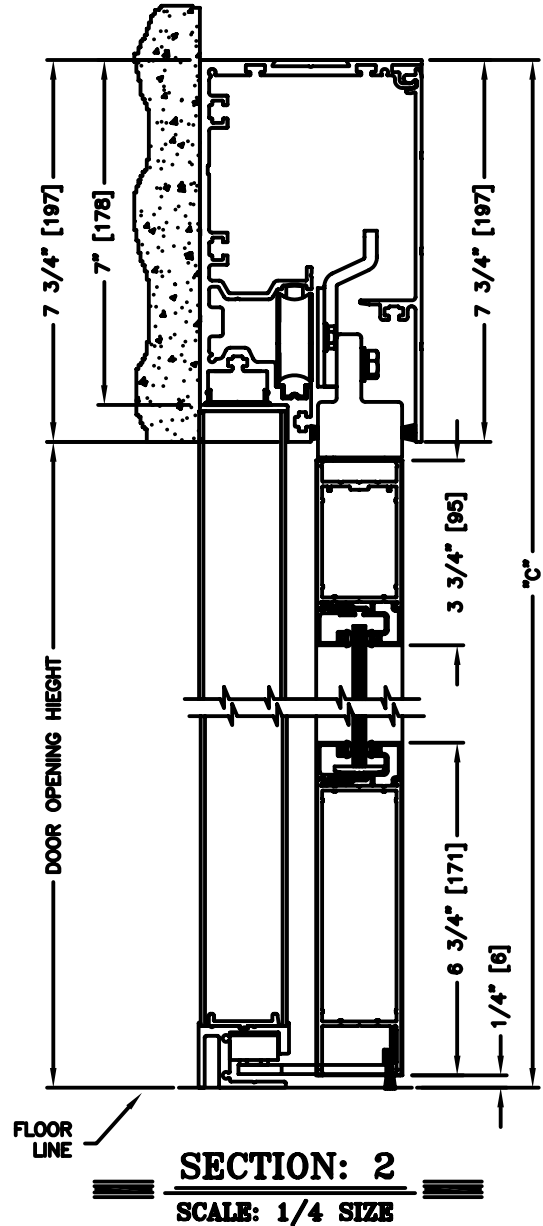
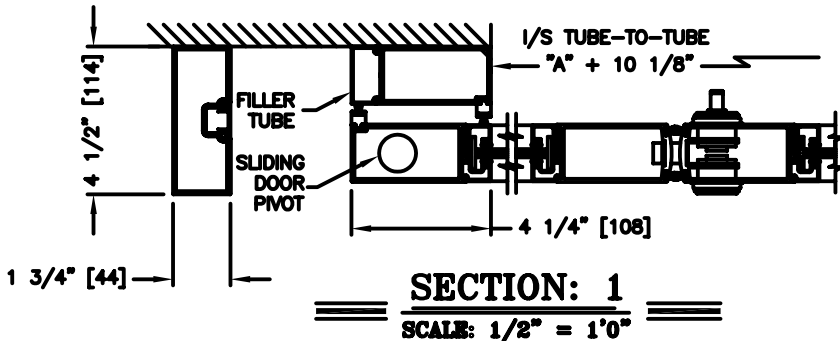
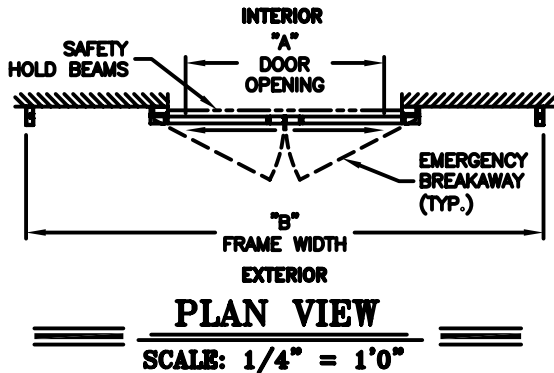
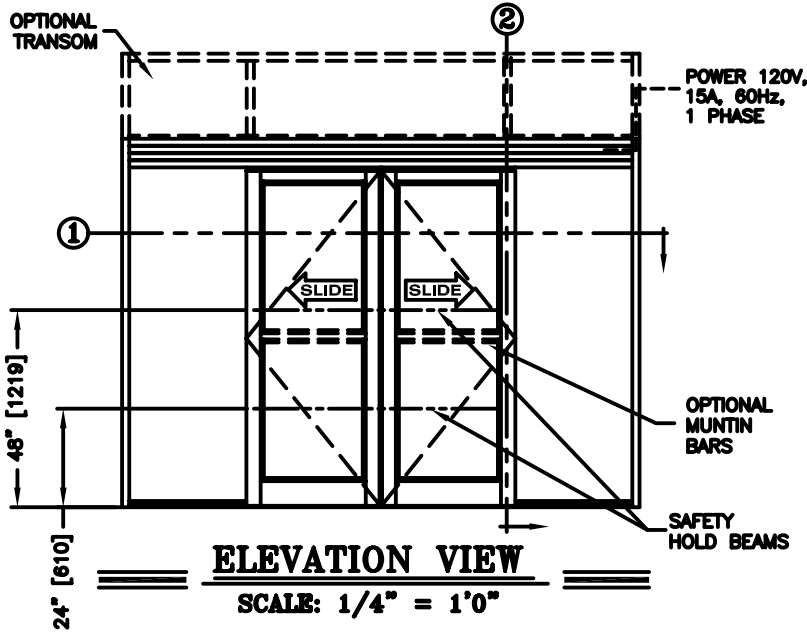
JOB NAME: _____

LOCATION: _____

SERIES 5100 AUTOMATIC SLIDING DOORS

TYPE: 5109-2, P-SX-SX-P, BI-PART
MEDIUM STILE

PAGE 51-2.50



NOTE:

See sheets 51-2.86 thru 51-2.91 for optional muntins, bottom rails, transoms, glazing variations, bottom guides & thresholds.

DIMENSIONS FOR STANDARD MEDIUM STILE PACKAGES

DOOR OPENING "A"	STD. PACKAGE WIDTH "B"	STD. PACKAGE HEIGHT "C" W OR W/O THRESHOLD	DOOR OPENING HEIGHT W/ THRESHOLD	DOOR OPENING HEIGHT W/O THRESHOLD	I/S TUBE -TO-TUBE (MAX. OPENING MANUALLY)
38 (965)	108 (2743)	91 (2311)	82-3/4 (2102)	83-1/4 (2115)	48-1/8 (1222)
44 (1118)	120 (3048)	91 (2311)	82-3/4 (2102)	83-1/4 (2115)	54-1/8 (1375)
56 (1422)	144 (3658)	91 (2311)	82-3/4 (2102)	83-1/4 (2115)	66-1/8 (1680)
68 (1727)	168 (4267)	91 (2311)	82-3/4 (2102)	83-1/4 (2115)	78-1/8 (1984)
80 (2032)	192 (4877)	91 (2311)	82-3/4 (2102)	83-1/4 (2115)	90-1/8 (2289)

Masonry Opening is 1/4" (6) per side larger and 1/4" taller than package dimensions.
Measurements given in inches (millimeters).