



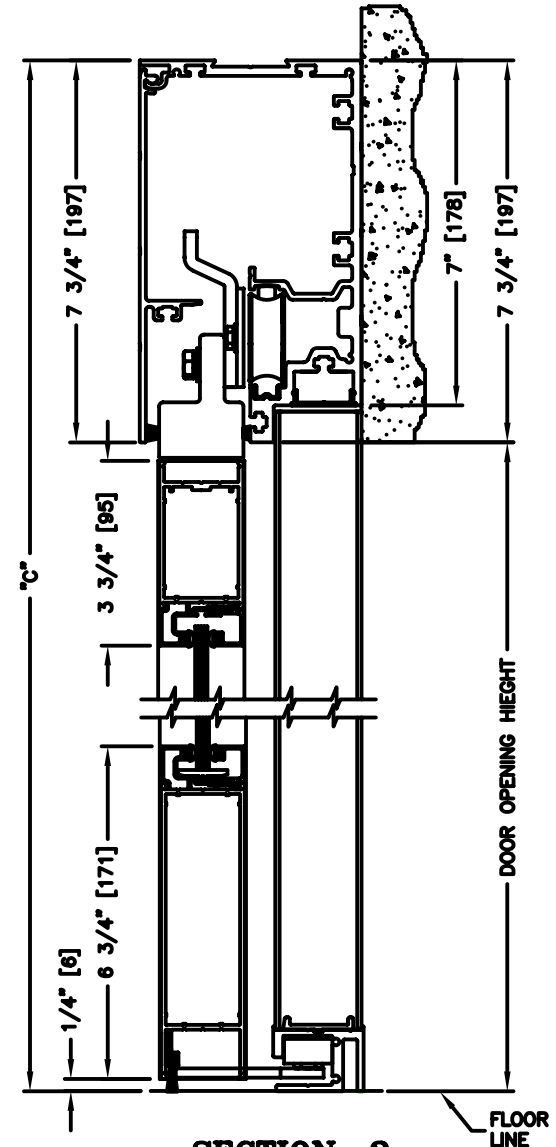
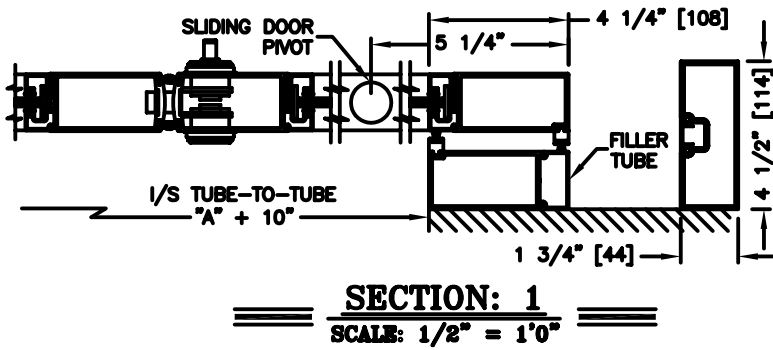
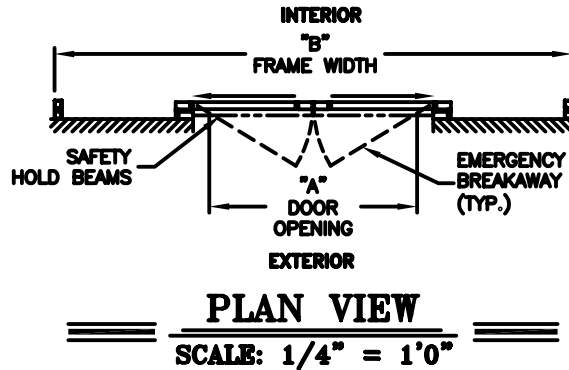
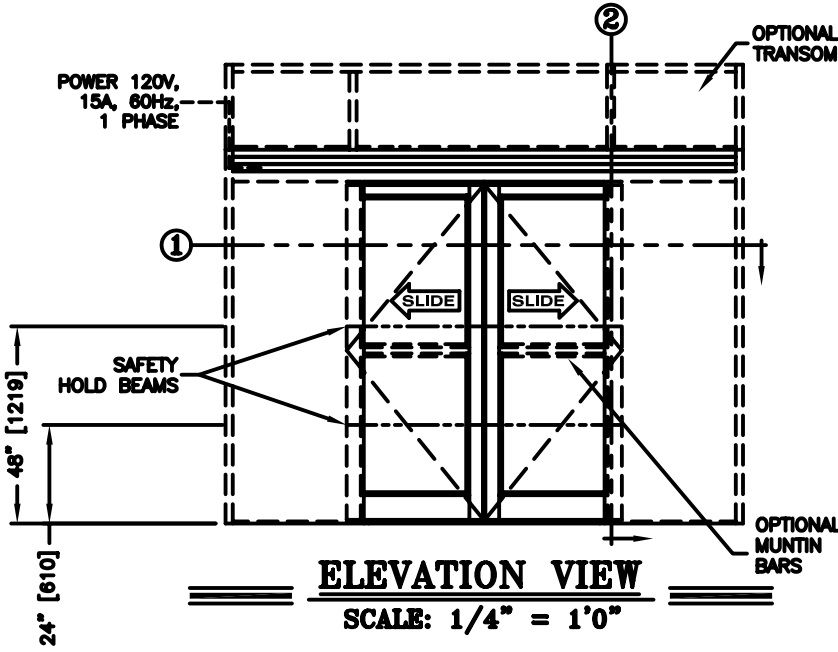
record-usa
4910 STARCREST DR.
MONROE, NC 28110
(704) 289 - 9212

JOB NAME: _____

LOCATION: _____

SERIES 5100 AUTOMATIC SLIDING DOORS

TYPE: 5118-2, P-SX-SX-P, BI-PART
MEDIUM STILE
PAGE 51-2.59



NOTES:

- See sheets 51-2.86 thru 51-2.91 for optional muntins, bottom rails, transoms, glazing variations, bottom guides & thresholds.
- Door breakaway ONLY when fully closed. Consult with local authority having jurisdiction for approved use.
- See sheet 51-2.92 for additional details of recessed pin guide.

DIMENSIONS FOR STANDARD MEDIUM STILE PACKAGES

DOOR OPENING "A"	STD. PACKAGE WIDTH "B"	STD. PACKAGE HEIGHT "C" W OR W/O THRESHOLD	DOOR OPENING HEIGHT W/ THRESHOLD	DOOR OPENING HEIGHT W/O THRESHOLD	1/8 TUBE -TO-TUBE	MAX. OPENING MANUALLY
38 (965)	108 (2743)	91 (2311)	82-3/4 (2102)	83-1/4 (2115)	48 (1219)	44-1/2 (1130)
44 (1118)	120 (3048)	91 (2311)	82-3/4 (2102)	83-1/4 (2115)	54 (1372)	50-1/2 (1283)
56 (1422)	144 (3658)	91 (2311)	82-3/4 (2102)	83-1/4 (2115)	66 (1676)	62-1/2 (1588)
68 (1727)	168 (4267)	91 (2311)	82-3/4 (2102)	83-1/4 (2115)	78 (1981)	74-1/2 (1892)
80 (2032)	192 (4877)	91 (2311)	82-3/4 (2102)	83-1/4 (2115)	90 (2286)	86-1/2 (2197)

Masonry Opening is 1/4" (6) per side larger and 1/4" taller than package dimensions.
Measurements given in inches (millimeters).