



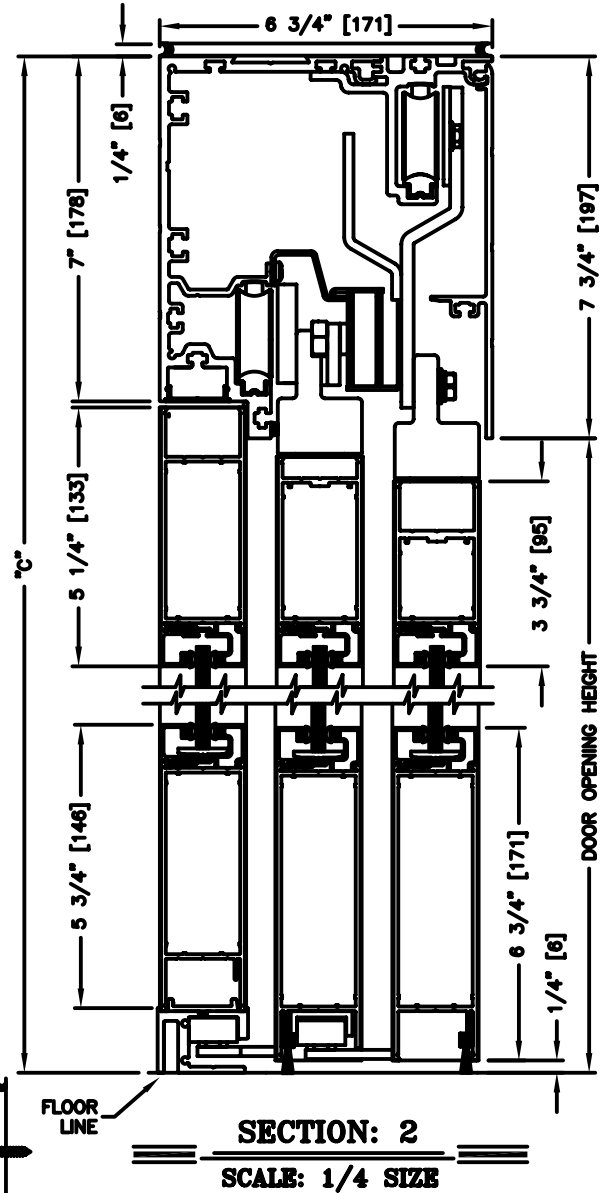
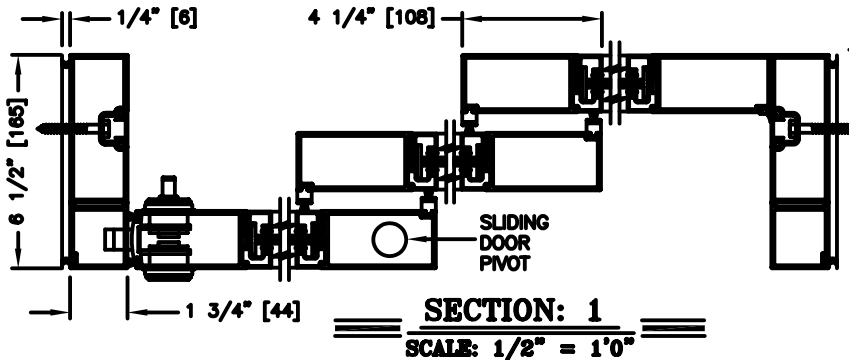
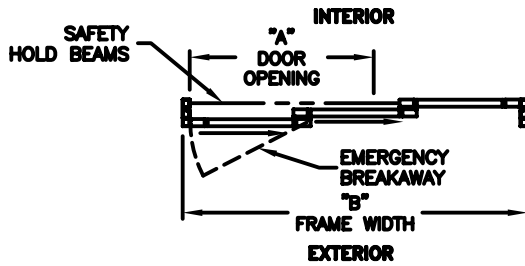
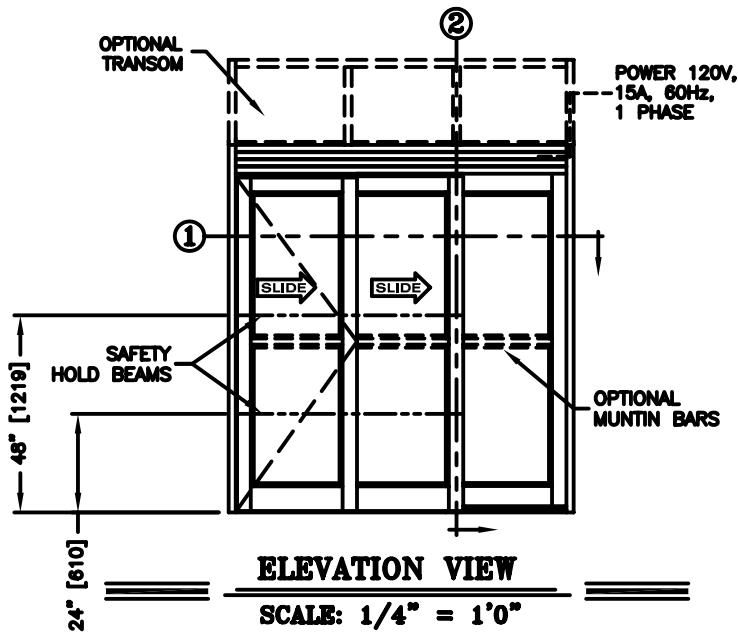
**record-usa**  
4910 STARCREST DR.  
MONROE, NC 28110  
(704) 289 - 9212

JOB NAME: \_\_\_\_\_

LOCATION: \_\_\_\_\_

SERIES 5100 AUTOMATIC SLIDING DOORS

TYPE: 5120-2, SX-X-0, R.H. TELESCOPE  
MEDIUM STILE  
PAGE 51-2.61



**NOTE:**

See sheets 51-2.86 thru 51-2.91 for optional muntins, bottom rails, transoms, glazing variations, bottom guides & thresholds.

**DIMENSIONS FOR STANDARD MEDIUM STILE PACKAGES**

| DOOR OPENING "A" | STD. PACKAGE WIDTH "B" | STD. PACKAGE HEIGHT "C" W OR W/O THRESHOLD | DOOR OPENING HEIGHT W/ THRESHOLD | DOOR OPENING HEIGHT W/O THRESHOLD | MAX. OPENING MANUALLY |
|------------------|------------------------|--|----------------------------------|-----------------------------------|-----------------------|
| 40-3/4<br>(1035) | 84<br>(2134)           | 91<br>(2311)                               | 82-3/4<br>(2102)                 | 83-1/4<br>(2115)                  | 45-13/16<br>(1164)    |
| 48-3/4<br>(1238) | 96<br>(2438)           | 91<br>(2311)                               | 82-3/4<br>(2102)                 | 83-1/4<br>(2115)                  | 53-13/16<br>(1367)    |
| 56-3/4<br>(1441) | 108<br>(2743)          | 91<br>(2311)                               | 82-3/4<br>(2102)                 | 83-1/4<br>(2115)                  | 61-13/16<br>(1570)    |
| 64-3/4<br>(1645) | 120<br>(3048)          | 91<br>(2311)                               | 82-3/4<br>(2102)                 | 83-1/4<br>(2115)                  | 69-13/16<br>(1773)    |
| 80-3/4<br>(2051) | 144<br>(3658)          | 91<br>(2311)                               | 82-3/4<br>(2102)                 | 83-1/4<br>(2115)                  | 85-13/16<br>(2180)    |

Masonry Opening is 1/4" (6) per side larger and 1/4" taller than package dimensions.  
Measurements given in inches (millimeters).