



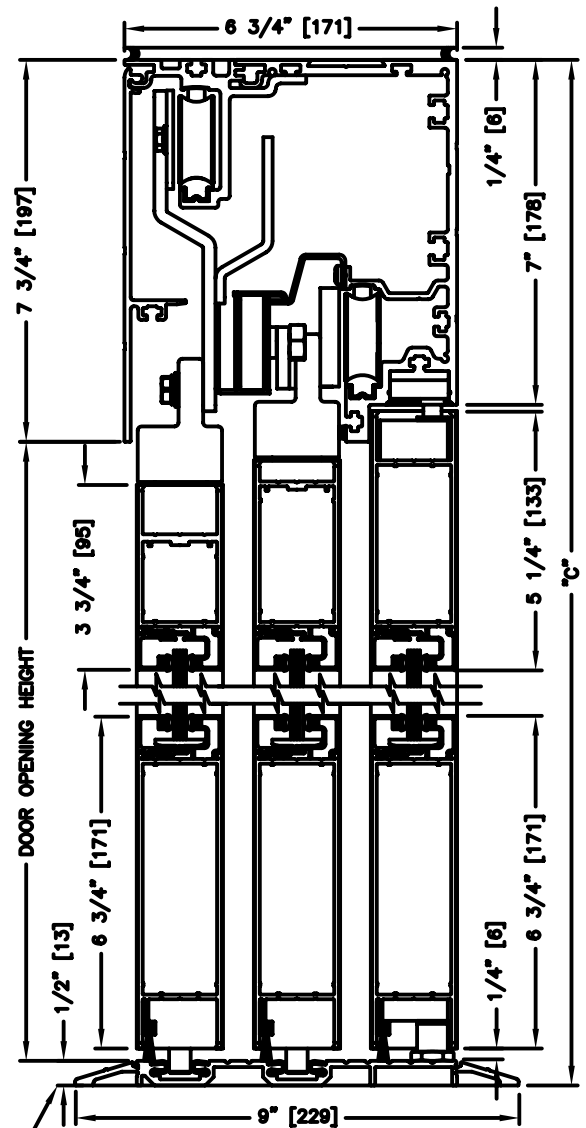
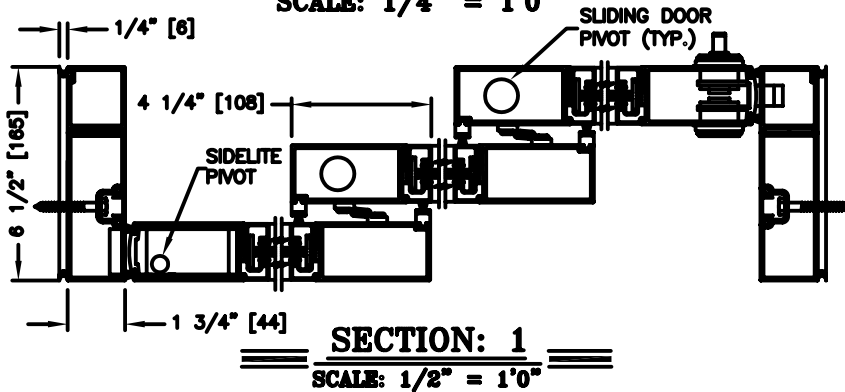
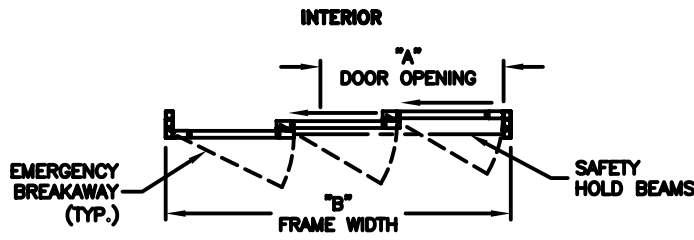
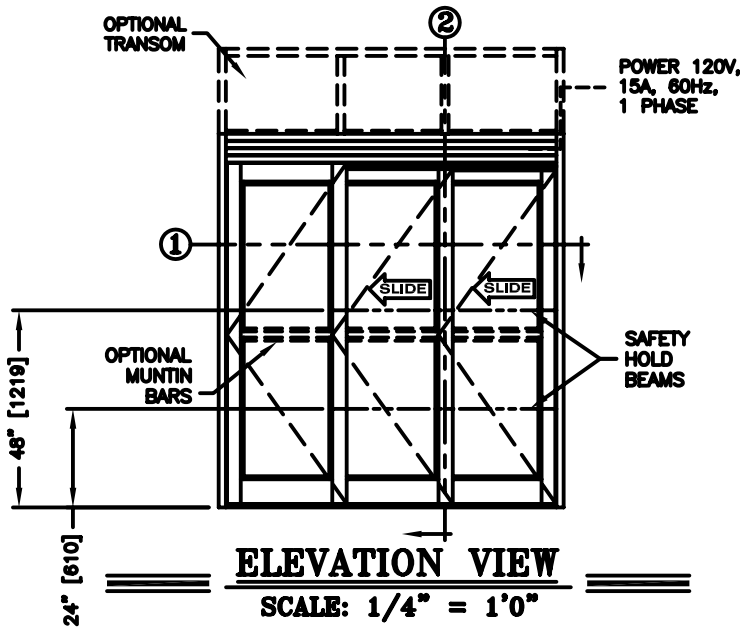
record-usa
4910 STARCREST DR.
MONROE, NC 28110
(704) 289 - 9212

JOB NAME: _____

LOCATION: _____

SERIES 5100 AUTOMATIC SLIDING DOORS

TYPE: 5122-2, SO-SX-SX, L.H. TELESCOPE
MEDIUM STILE
PAGE 51-2.63



NOTES:

1. See sheets 51-2.86 thru 51-2.91 for optional muntins, bottom rails, transoms, glazing variations, bottom guides & thresholds.
2. See sheet 51-2.92 for additional details of recessed pin guide.

DIMENSIONS FOR STANDARD MEDIUM STILE PACKAGES

DOOR OPENING "A"	STD. PACKAGE WIDTH "B"	STD. PACKAGE HEIGHT "C" W OR W/O THRESHOLD	DOOR OPENING HEIGHT W/ THRESHOLD	DOOR OPENING HEIGHT W/O THRESHOLD	MAX. OPENING MANUALLY
40-3/4 (1035)	84 (2134)	91 (2311)	82-3/4 (2102)	83-1/4 (2115)	68-1/2 (1740)
48-3/4 (1238)	96 (2438)	91 (2311)	82-3/4 (2102)	83-1/4 (2115)	80-1/2 (2045)
56-3/4 (1441)	108 (2743)	91 (2311)	82-3/4 (2102)	83-1/4 (2115)	92-1/2 (2350)
64-3/4 (1645)	120 (3048)	91 (2311)	82-3/4 (2102)	83-1/4 (2115)	104-1/2 (2654)
80-3/4 (2051)	144 (3658)	91 (2311)	82-3/4 (2102)	83-1/4 (2115)	128-1/2 (3264)

Masonry Opening is 1/4" (6) per side larger and 1/4" taller than package dimensions.
Measurements given in inches (millimeters).