



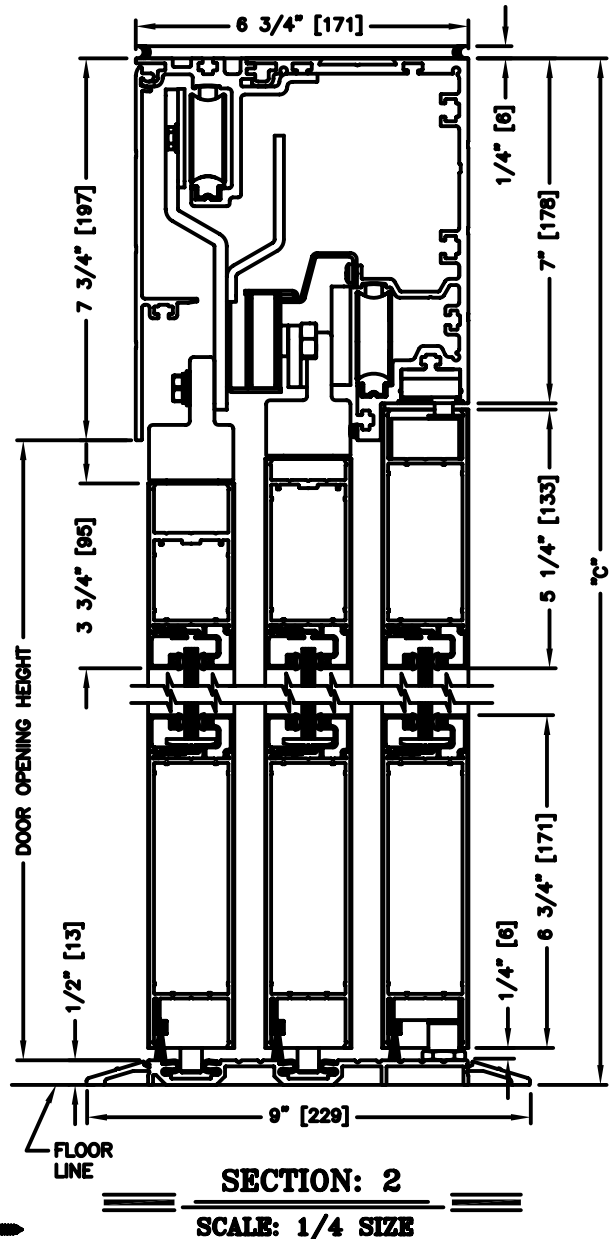
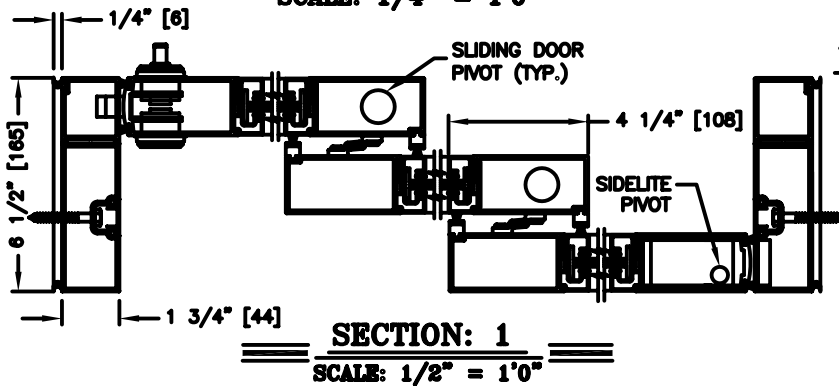
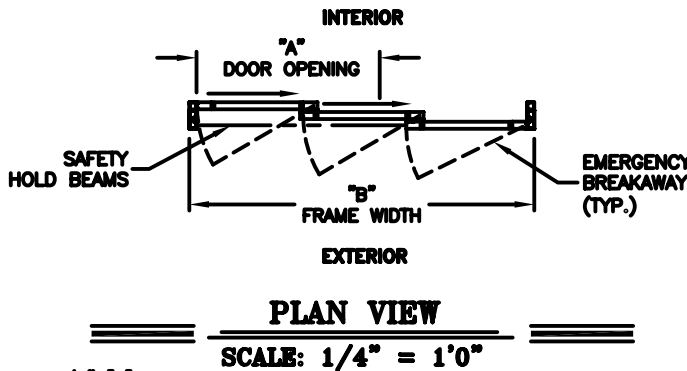
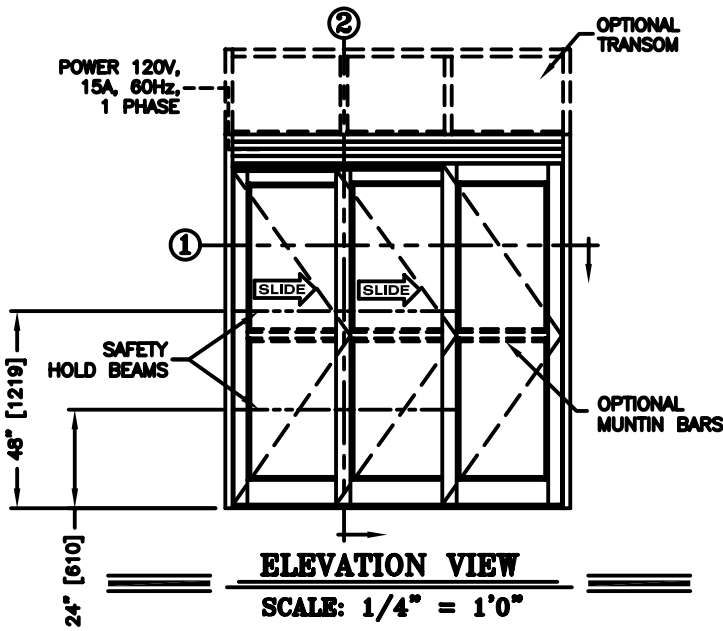
record-usa
4910 STARCREST DR.
MONROE, NC 28110
(704) 289 - 9212

JOB NAME: _____

LOCATION: _____

SERIES 5100 AUTOMATIC SLIDING DOORS

TYPE: 5123-2, SX-SX-SO, R.H. TELESCOPE
MEDIUM STILE
PAGE 51-2.64



- NOTES:**
- See sheets 51-2.86 thru 51-2.91 for optional muntins, bottom rails, transoms, glazing variations, bottom guides & thresholds.
 - See sheet 51-2.92 for additional details of recessed pin guide.

DIMENSIONS FOR STANDARD MEDIUM STILE PACKAGES					
DOOR OPENING "A"	STD. PACKAGE WIDTH "B"	STD. PACKAGE HEIGHT "C" W OR W/O THRESHOLD	DOOR OPENING HEIGHT W/ THRESHOLD	DOOR OPENING HEIGHT W/O THRESHOLD	MAX. OPENING MANUALLY
35-3/4 (908)	96 (2438)	91 (2311)	82-3/4 (2102)	83-1/4 (2115)	68-1/2 (1740)
43-3/4 (1111)	108 (2743)	91 (2311)	82-3/4 (2102)	83-1/4 (2115)	80-1/2 (2045)
51-3/4 (1314)	120 (3048)	91 (2311)	82-3/4 (2102)	83-1/4 (2115)	92-1/2 (2350)
67-3/4 (1721)	144 (3658)	91 (2311)	82-3/4 (2102)	83-1/4 (2115)	116-1/2 (2959)
83-3/4 (2127)	168 (4267)	91 (2311)	82-3/4 (2102)	83-1/4 (2115)	140-1/2 (3569)

Masonry Opening is 1/4" (6) per side larger and 1/4" taller than package dimensions.
Measurements given in inches (millimeters).