



**record-usa**  
4910 STARCREST DR.  
MONROE, NC 28110  
(704) 289 - 9212

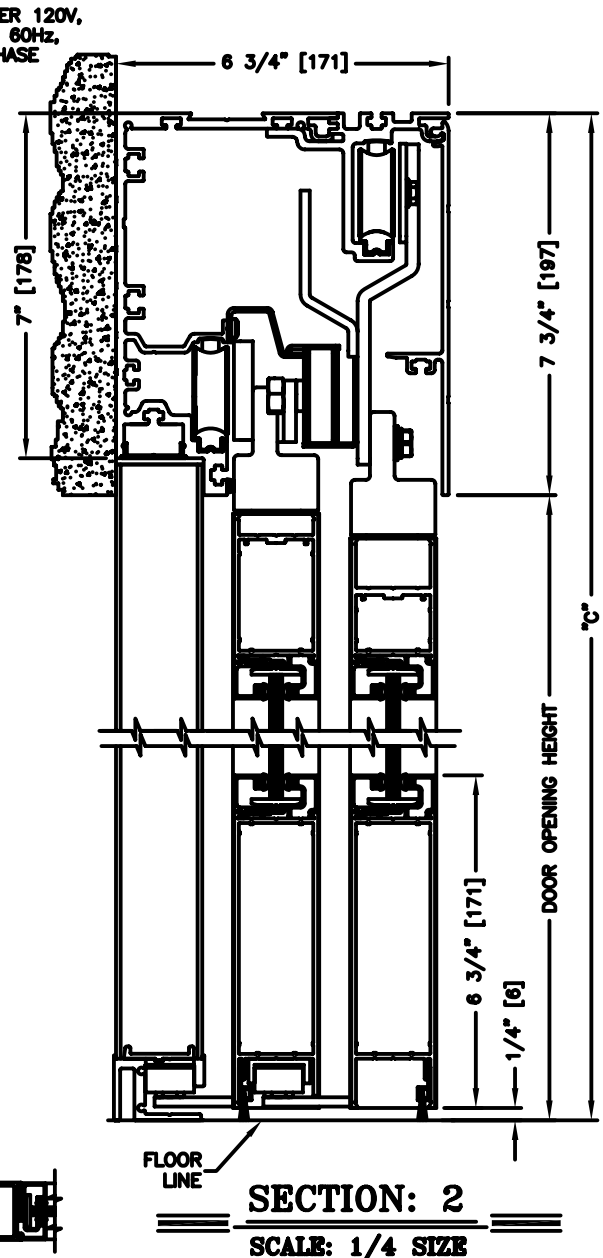
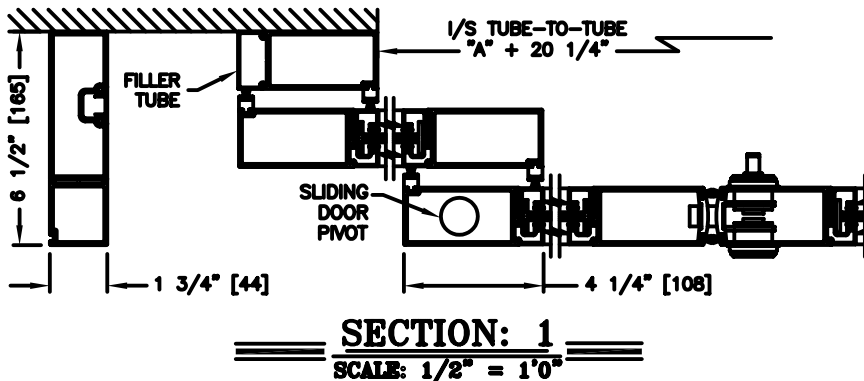
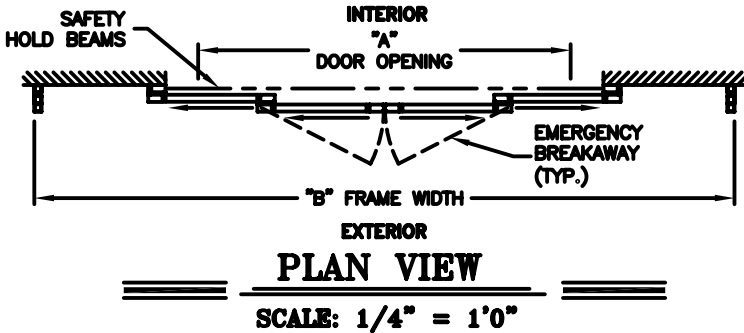
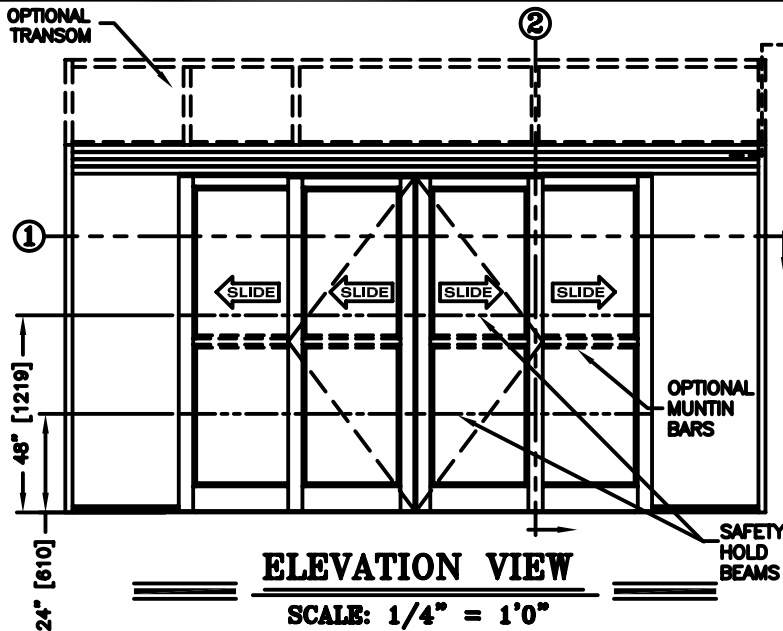
JOB NAME: \_\_\_\_\_

LOCATION: \_\_\_\_\_

SERIES 5100 AUTOMATIC SLIDING DOORS

TYPE: 5127-2, P-X-SX-SX-X-P,  
BI-PART TELESCOPE  
MEDIUM STILE

PAGE 51-2.68



**NOTE:**

See sheets 51-2.86 thru 51-2.91 for optional muntins, bottom rails, transoms, glazing variations, bottom guides & thresholds.

**DIMENSIONS FOR STANDARD MEDIUM STILE PACKAGES**

DOOR OPENING "A"	STD. PACKAGE WIDTH "B"	STD. PACKAGE HEIGHT "C" W OR W/O THRESHOLD	DOOR OPENING HEIGHT W/ THRESHOLD	DOOR OPENING HEIGHT W/O THRESHOLD	MAX. OPENING MANUALLY	1/8" TUBE-TO-TUBE
35-3/4 (908)	96 (2438)	91 (2311)	82-3/4 (2102)	83-1/4 (2115)	45-7/8 (1165)	56 (1422)
43-3/4 (1111)	108 (2743)	91 (2311)	82-3/4 (2102)	83-1/4 (2115)	53-7/8 (1368)	64 (1626)
51-3/4 (1314)	120 (3048)	91 (2311)	82-3/4 (2102)	83-1/4 (2115)	61-7/8 (1572)	72 (1829)
67-3/4 (1721)	144 (3658)	91 (2311)	82-3/4 (2102)	83-1/4 (2115)	77-7/8 (1978)	88 (2235)
83-3/4 (2127)	168 (4267)	91 (2311)	82-3/4 (2102)	83-1/4 (2115)	93-7/8 (2384)	104 (2642)

Masonry Opening is 1/4" (6) per side larger and 1/4" taller than package dimensions.  
Measurements given in inches (millimeters).