



**record-usa**  
4910 STARCREST DR.  
MONROE, NC 28110  
(704) 289 - 9212

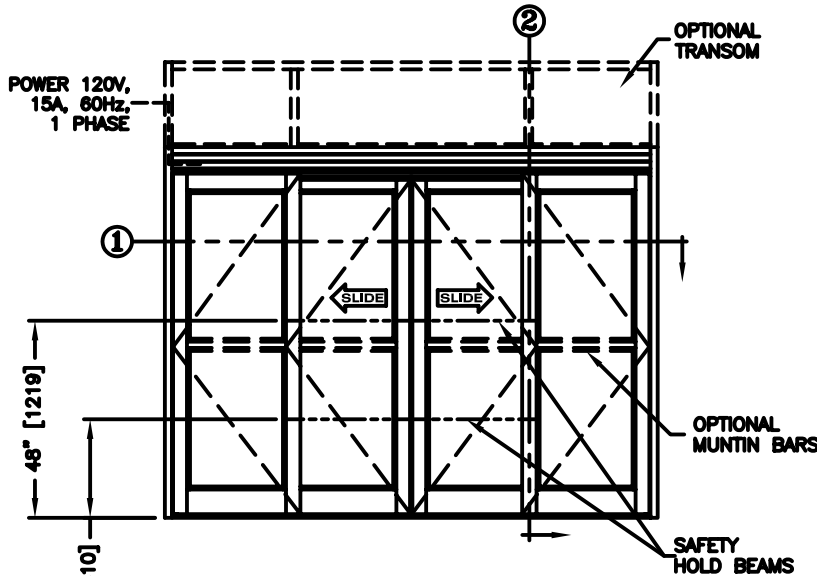
JOB NAME: \_\_\_\_\_

LOCATION: \_\_\_\_\_

SERIES 5100 AUTOMATIC SLIDING DOORS

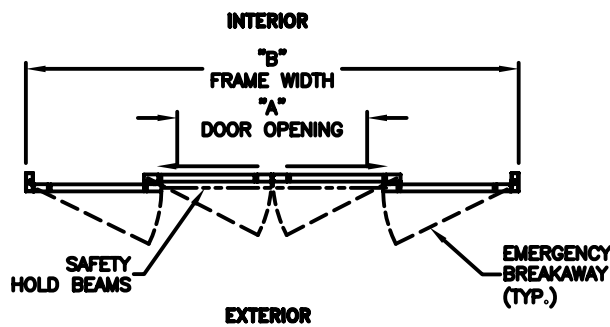
TYPE: 5106-2, SO-SX-SX-SO, BI-PART  
CORRIDOR PACKAGE  
MEDIUM STILE

PAGE 51-2.69



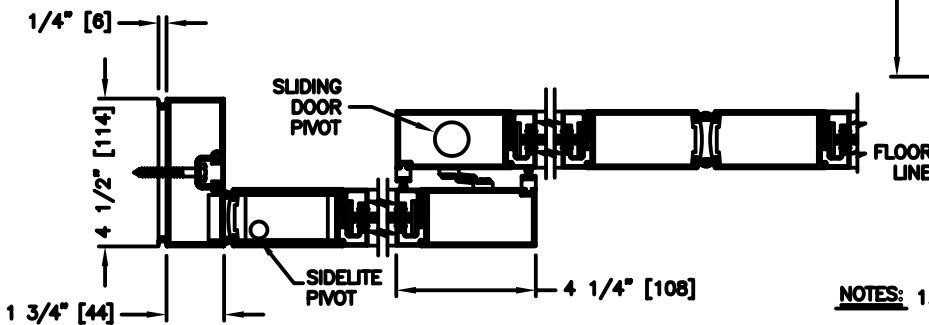
**ELEVATION VIEW**

SCALE: 1/4" = 1'0"



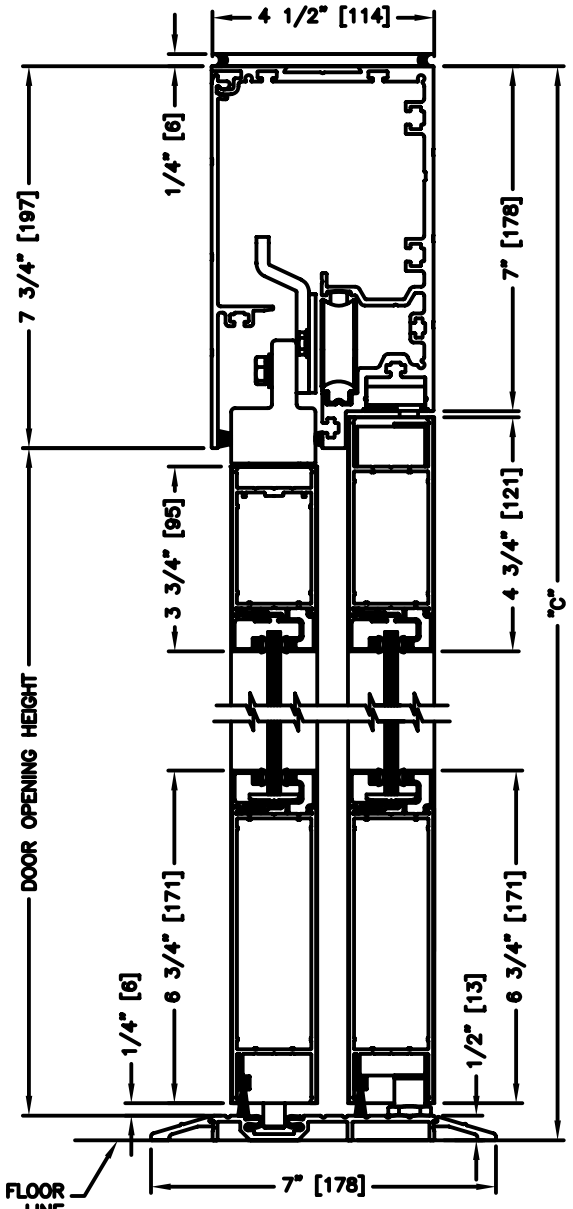
**PLAN VIEW**

SCALE: 1/4" = 1'0"



**SECTION: 1**

SCALE: 1/2" = 1'0"



**SECTION: 2**

SCALE: 1/4" SIZE

- NOTES:**
1. Security Package includes concealed vertical rod exit device on the sliding door and fail secure electric lock in the header.
  2. See sheets 51-2.86 thru 51-2.91 for optional muntins, bottom rails, transoms, glazing variations, bottom guides & thresholds. See sheet 51-2.92 for additional details.

**DIMENSIONS FOR STANDARD MEDIUM STILE PACKAGES**

DOOR OPENING "A"	STD. PACKAGE WIDTH "B"	STD. PACKAGE HEIGHT "C" W OR W/O THRESHOLD	DOOR OPENING HEIGHT W/ THRESHOLD	DOOR OPENING HEIGHT W/O THRESHOLD OR W/RECESSED PIN	MAX. OPENING MANUALLY
44 (1118)	95 1/2 (2426)	91 (2311)	82-3/4 (2102)	83-1/4 (2115)	89-5/8 (2276)

Masonry Opening is 1/4" (6) per side larger and 1/4" taller than package dimensions.  
Measurements given in inches (millimeters).