



**record-usa**  
4910 STARCREST DR.  
MONROE, NC 28110  
(704) 289 - 9212

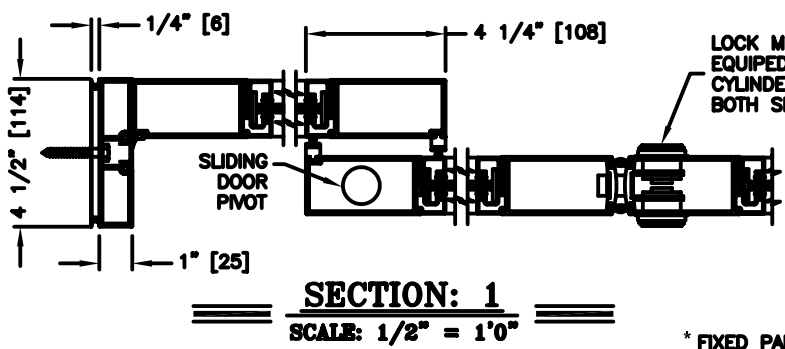
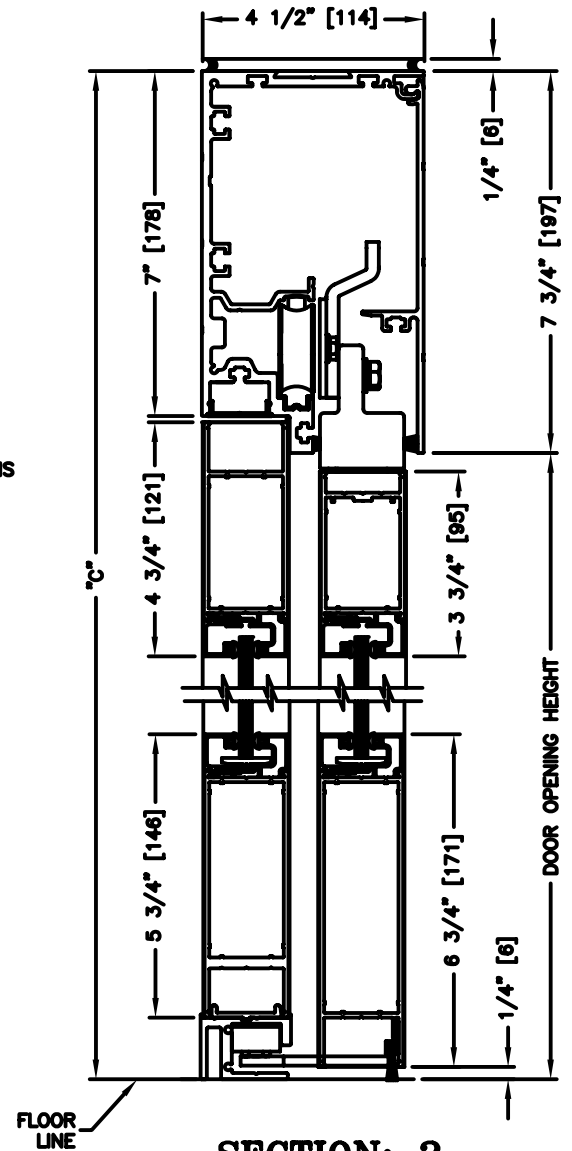
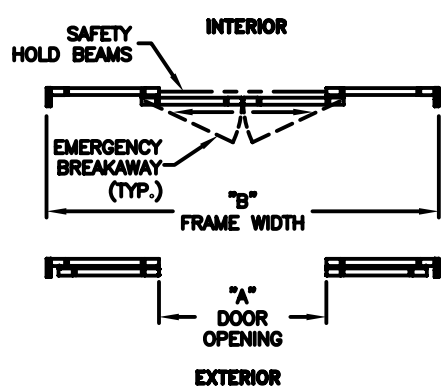
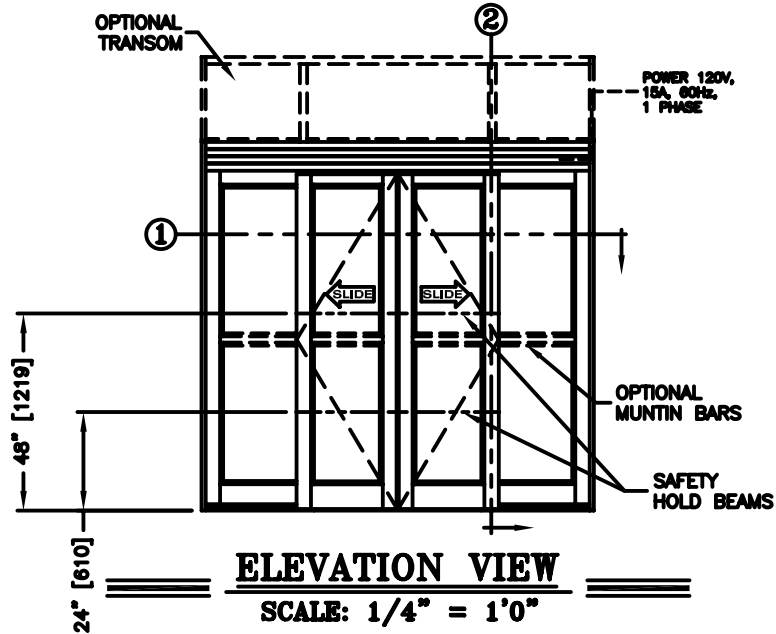
JOB NAME: \_\_\_\_\_

LOCATION: \_\_\_\_\_

SERIES 5100 AUTOMATIC SLIDING DOORS

TYPE: 5103-2, 0-SX-SX-0, BI-PART  
8 FT. CORRIDOR PACKAGE  
MEDIUM STILE

PAGE 51-2.70



**NOTE:**

See sheets 51-2.86 thru 51-2.91 for optional muntins, bottom rails, transoms, glazing variations, bottom guides & thresholds.

\* FIXED PANEL HEIGHT SHOWN IS FOR UNITS W/O THRESHOLD. FOR UNITS W/THRESHOLD, FIXED PANEL HEIGHT IS 82-1/16" [2084].

<b>DIMENSIONS FOR STANDARD MEDIUM STILE PACKAGES</b>					
DOOR OPENING "A"	STD. PACKAGE WIDTH "B"	STD. PACKAGE HEIGHT "C" W OR W/O THRESHOLD	DOOR OPENING HEIGHT W/ THRESHOLD	DOOR OPENING HEIGHT W/O THRESHOLD	MAX. OPENING MANUALLY
42-1/4 (1073)	95 1/2 (2426)	91 (2311)	82-3/4 (2102)	83-1/4 (2115)	42-1/4 (1073)
Masonry Opening is 1/4" (6) per side larger and 1/4" taller than package dimensions. Measurements given in inches (millimeters).					