



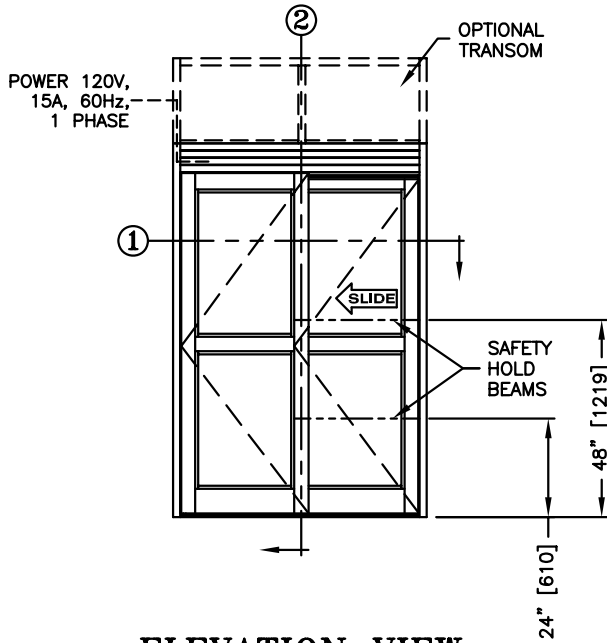
**record-usa**  
4910 STARCREST DR.  
MONROE, NC 28110  
(704) 289 - 9212

JOB NAME: \_\_\_\_\_

LOCATION: \_\_\_\_\_

**SERIES 5100 AUTOMATIC SLIDING DOORS**

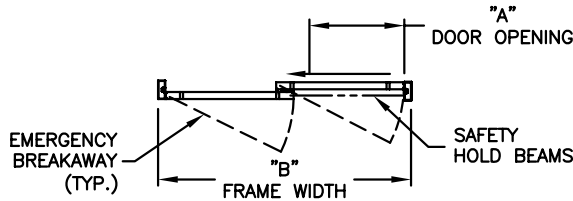
TYPE: 5104-2, SO-SX, L.H. SINGLE MED STILE  
WITH SECURITY PACKAGE PAGE 51-2.71



**ELEVATION VIEW**

SCALE: 1/4" = 1'0"

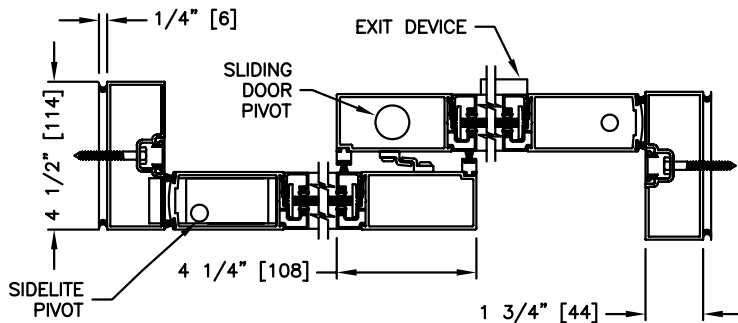
INTERIOR



**PLAN VIEW**

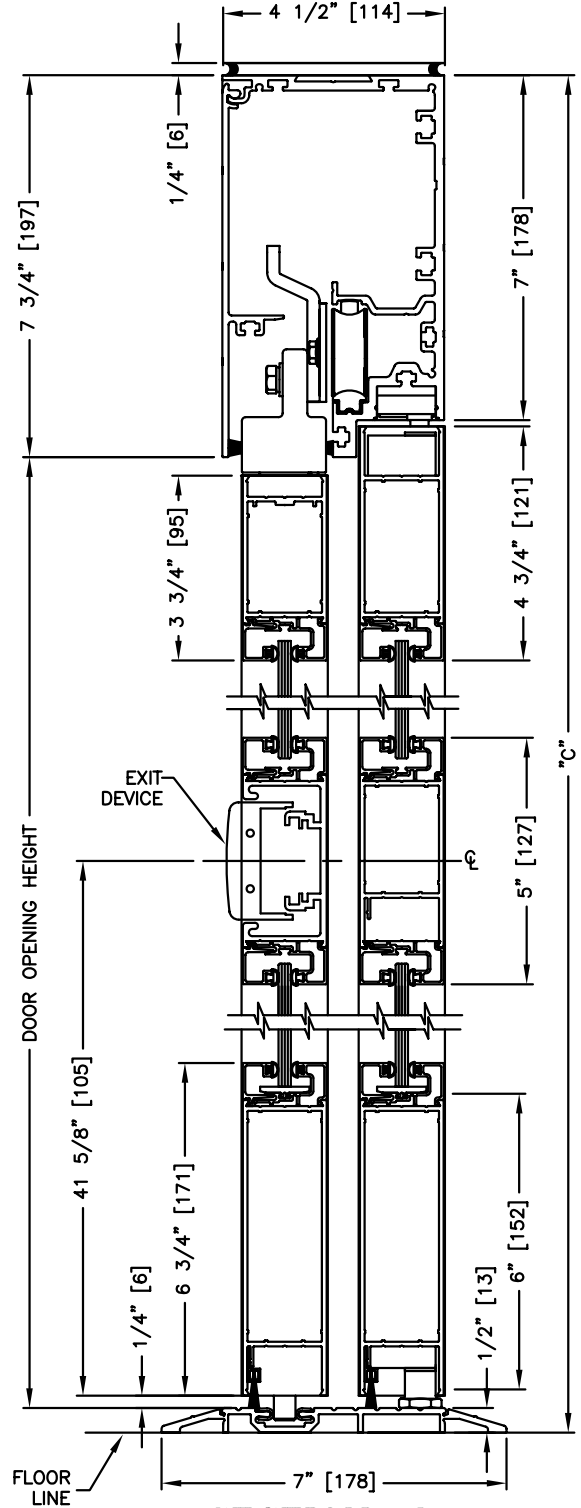
SCALE: 1/4" = 1'0"

EXTERIOR



**SECTION: 1**

SCALE: 1/2" = 1'0"



**SECTION: 2**

SCALE: 1/4" SIZE

**NOTES:**

1. Security Package includes concealed vertical rod exit device on the sliding door and fail secure electric lock in the header.
2. See sheets 51-2.86 thru 51-2.91 for optional muntins, bottom rails, transoms, glazing variations, bottom guides & thresholds.
3. See sheet 51-2.45 for package size details.
4. See sheet 51-2.92 for additional details of recessed pin guide.