



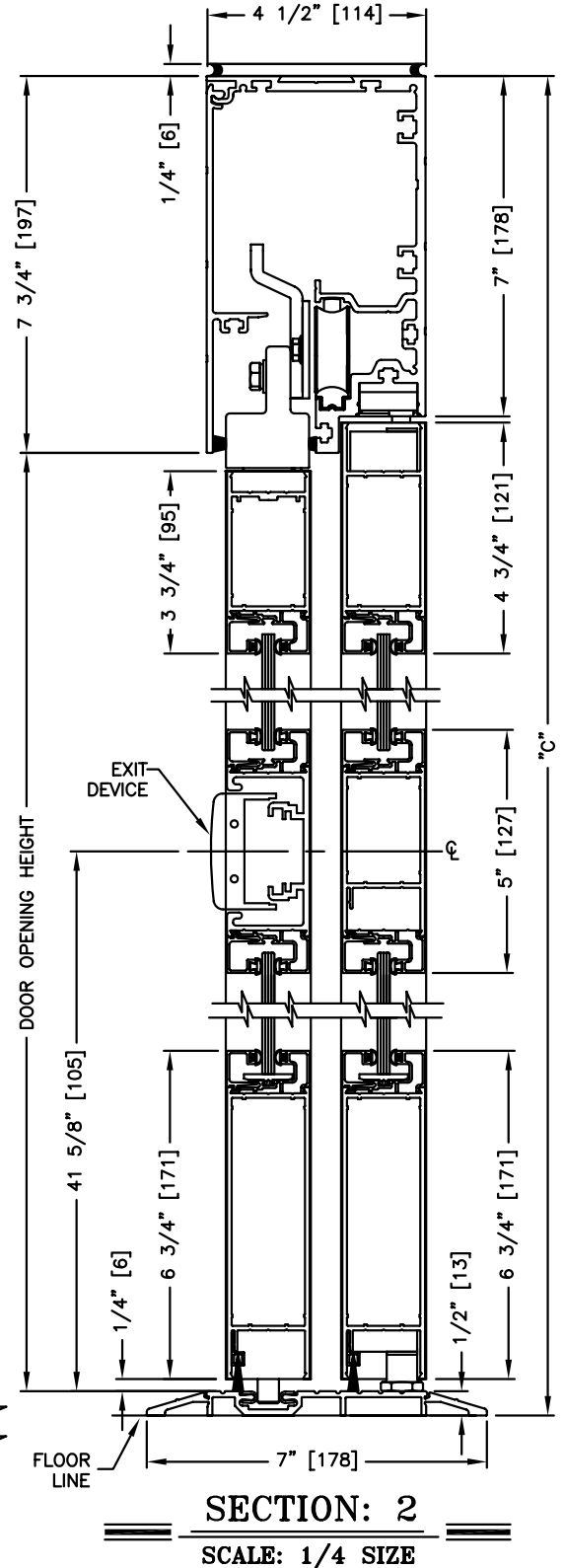
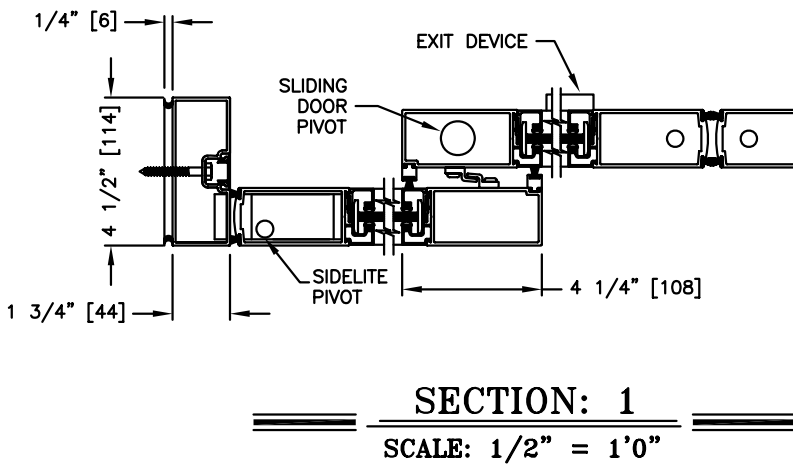
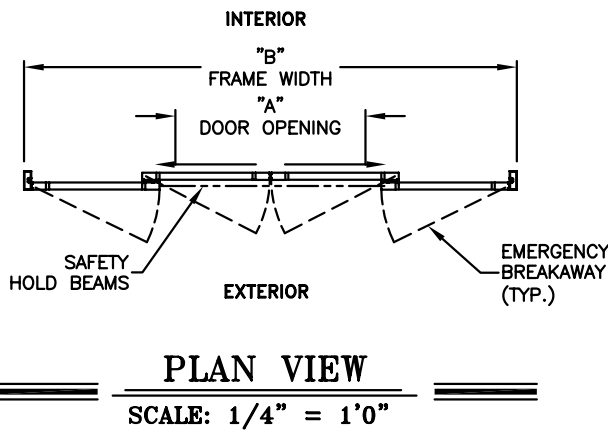
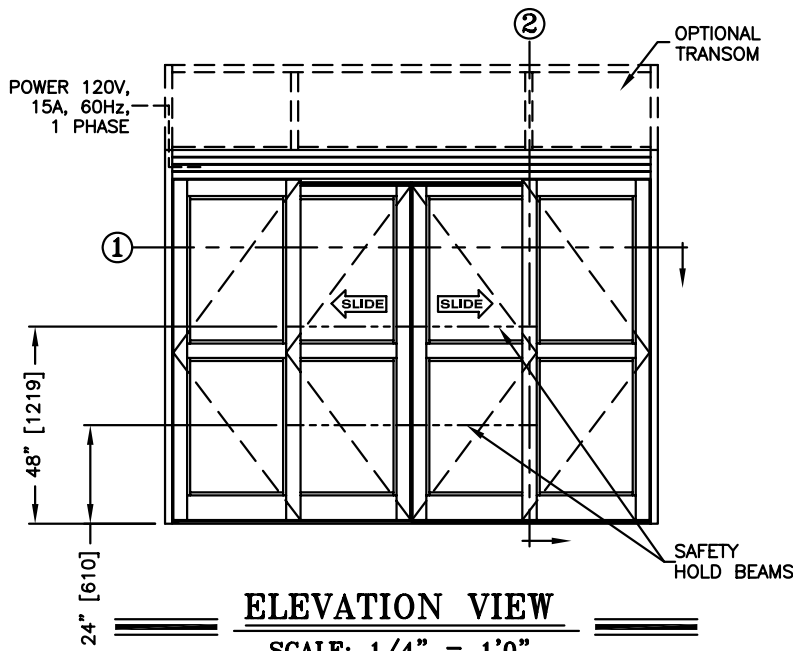
record-usa
4910 STARCREST DR.
MONROE, NC 28110
(704) 289 - 9212

JOB NAME: _____

LOCATION: _____

SERIES 5100 AUTOMATIC SLIDING DOORS

TYPE: 5106-2, SO-SX-SX-SO, BI-PART
MEDIUM STYLE
WITH SECURITY PACKAGE PAGE 51-2.73



- NOTES:**
1. Security Package includes concealed vertical rod exit device on the sliding door and fail secure electric lock in the header.
 2. See sheets 51-2.86 thru 51-2.91 for optional muntins, bottom rails, transoms, glazing variations, bottom guides & thresholds.
 3. See sheet 51-2.47 for package size details.
 4. See sheet 51-2.92 for additional details of recessed pin guide.