



record-usa
4910 STARCREST DR.
MONROE, NC 28110
(704) 289 - 9212

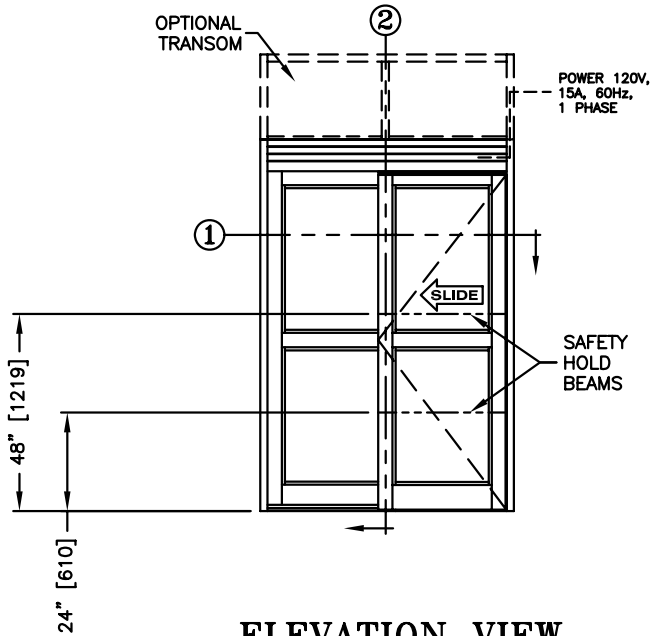
JOB NAME: _____

LOCATION: _____

SERIES 5100 AUTOMATIC SLIDING DOORS

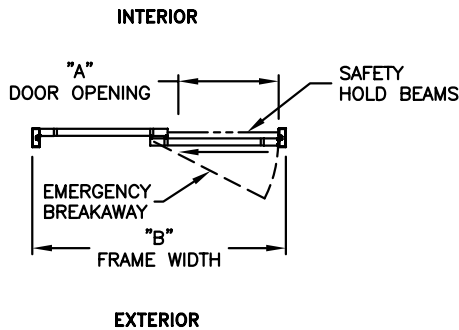
TYPE: 5101-2, 0-SX, L.H. SINGLE
WITH SECURITY PACKAGE
MEDIUM STILE

PAGE 51-2.74



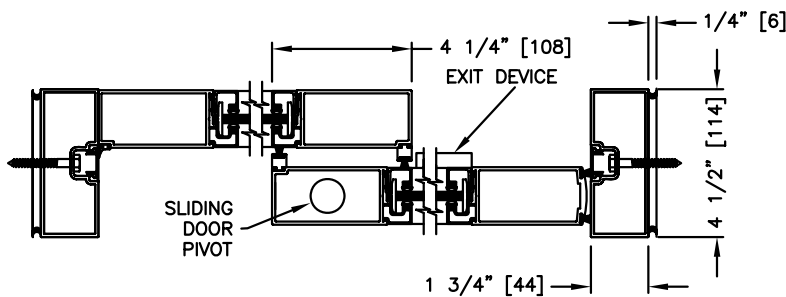
ELEVATION VIEW

SCALE: 1/4" = 1'0"



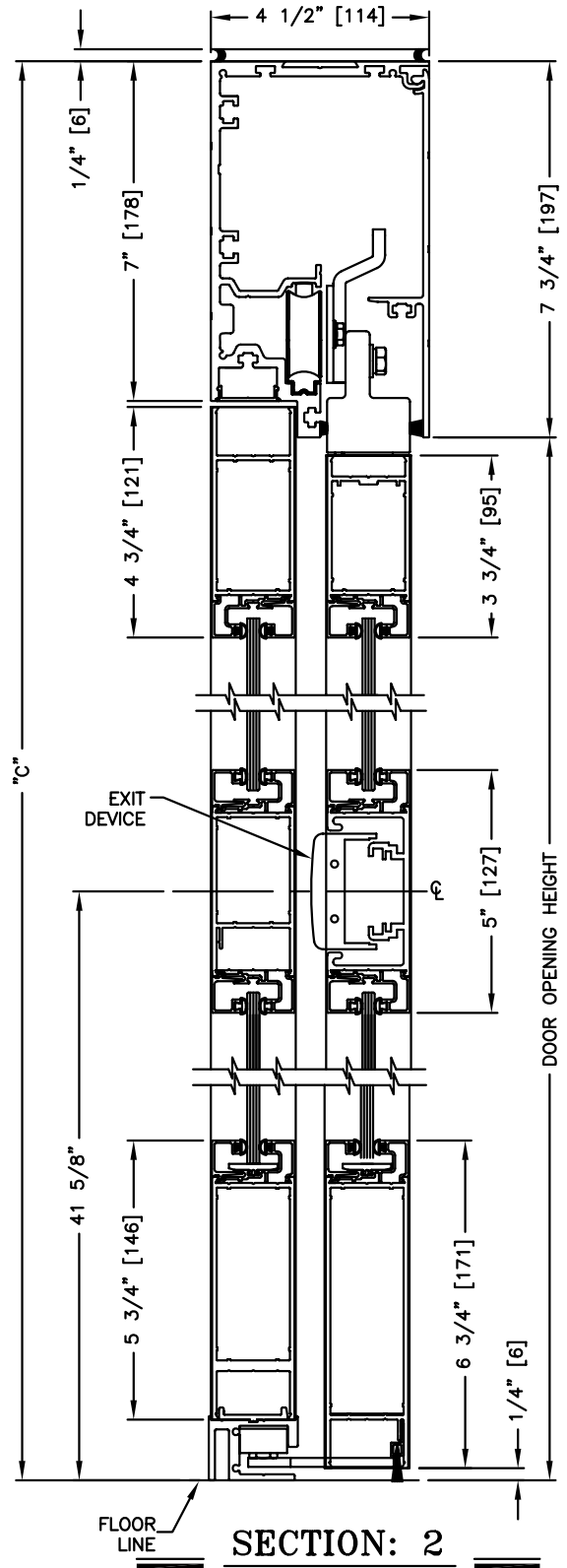
PLAN VIEW

SCALE: 1/4" = 1'0"



SECTION: 1

SCALE: 1/2" = 1'0"



SECTION: 2

SCALE: 1/4" SIZE

NOTES:

1. Security Package includes concealed vertical rod type exit device on the sliding door and fail secure electric lock in the header.
2. See sheets 51-2.86 thru 51-2.91 for optional muntins, bottom rails, transoms, glazing variations, bottom guides & thresholds.
3. See sheet 51-2.42 for package size details.