



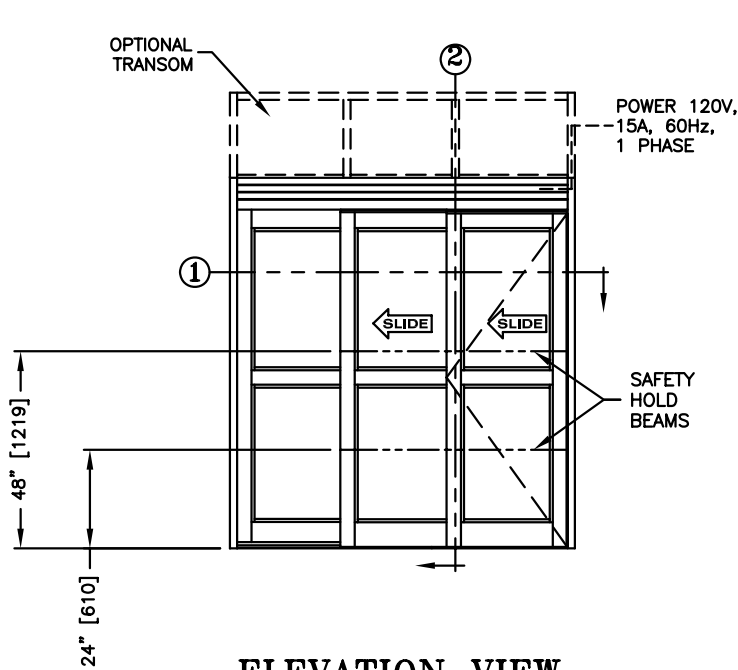
record-usa
4910 STARCREST DR.
MONROE, NC 28110
(704) 289 - 9212

JOB NAME: _____

LOCATION: _____

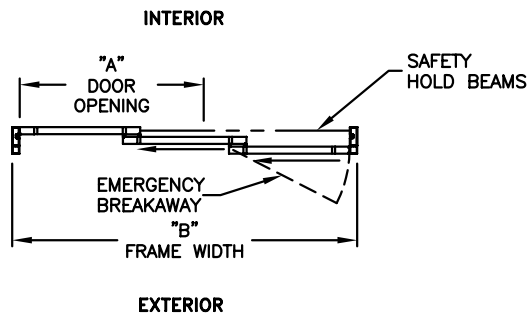
SERIES 5100 AUTOMATIC SLIDING DOORS

TYPE: 5119-2, 0-X-SX, L.H. TELESCOPE
MEDIUM STILE W/SECURITY PACKAGE PAGE 51-2.77



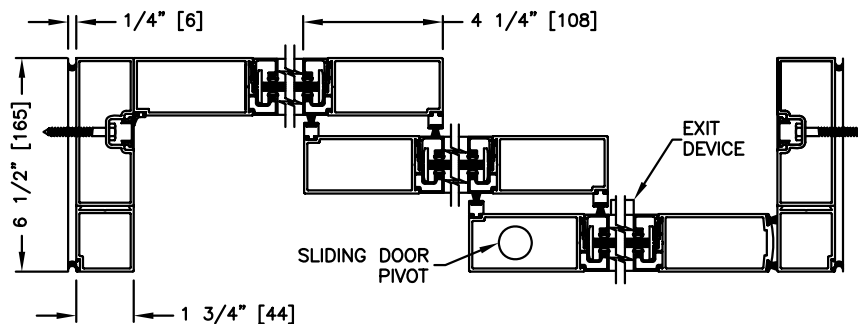
ELEVATION VIEW

SCALE: 1/4" = 1'0"



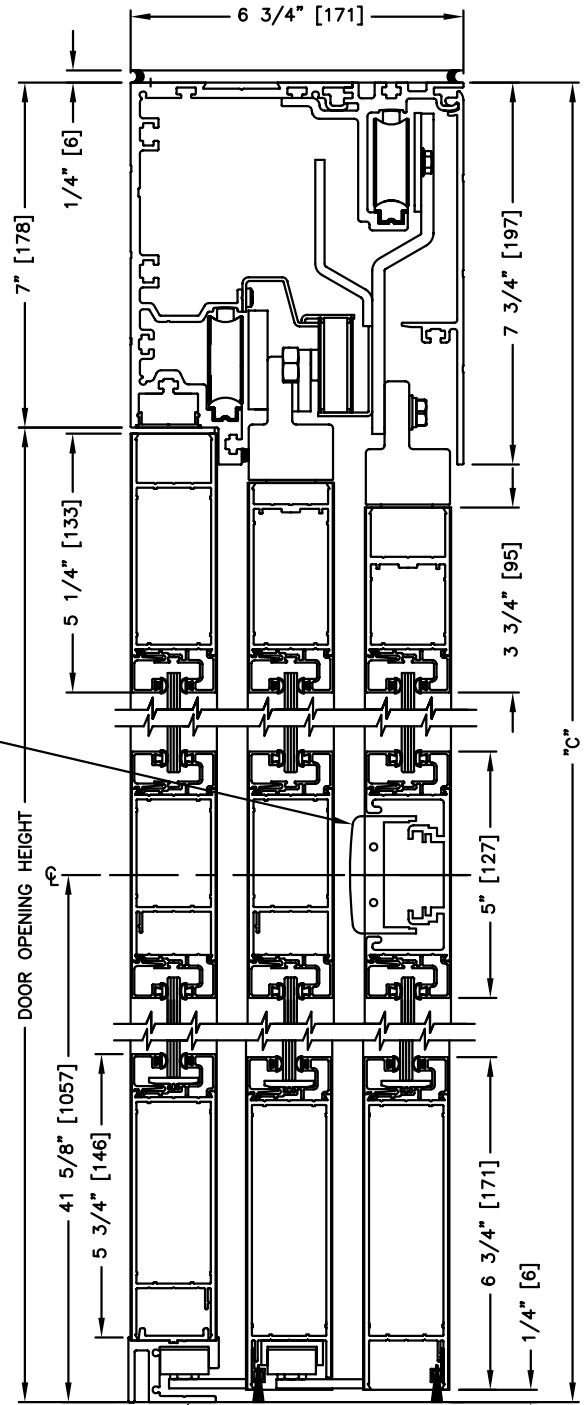
PLAN VIEW

SCALE: 1/4" = 1'0"



SECTION: 1

SCALE: 1/2" = 1'0"



SECTION: 2

SCALE: 1/4 SIZE

- NOTE:**
1. See sheets 51-2.86 thru 51-2.91 for optional muntins, bottom rails, transoms, glazing variations, bottom guides & thresholds.
 2. See sheets 51-2.60 for package size details.