



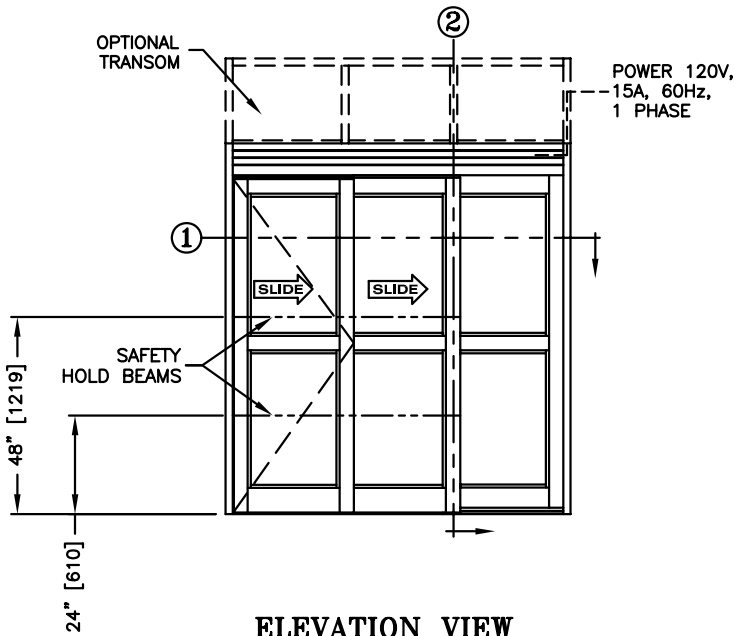
record-usa
4910 STARCREST DR.
MONROE, NC 28110
(704) 289 - 9212

JOB NAME: _____

LOCATION: _____

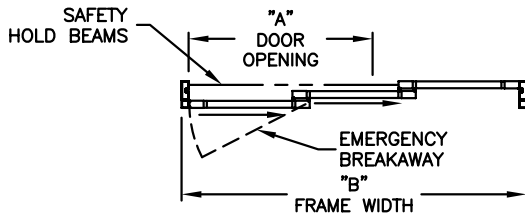
SERIES 5100 AUTOMATIC SLIDING DOORS

TYPE: 5120-2, SX-X-0, R.H. TELESCOPE
MEDIUM STILE W/SECURITY PACKAGE PAGE 51-2.78



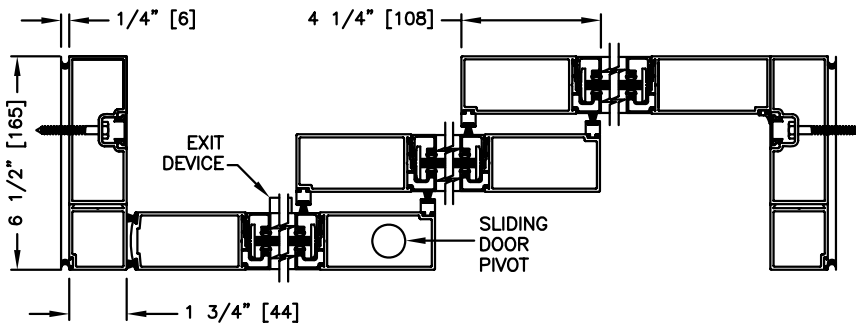
SCALE: 1/4" = 1'0"

INTERIOR

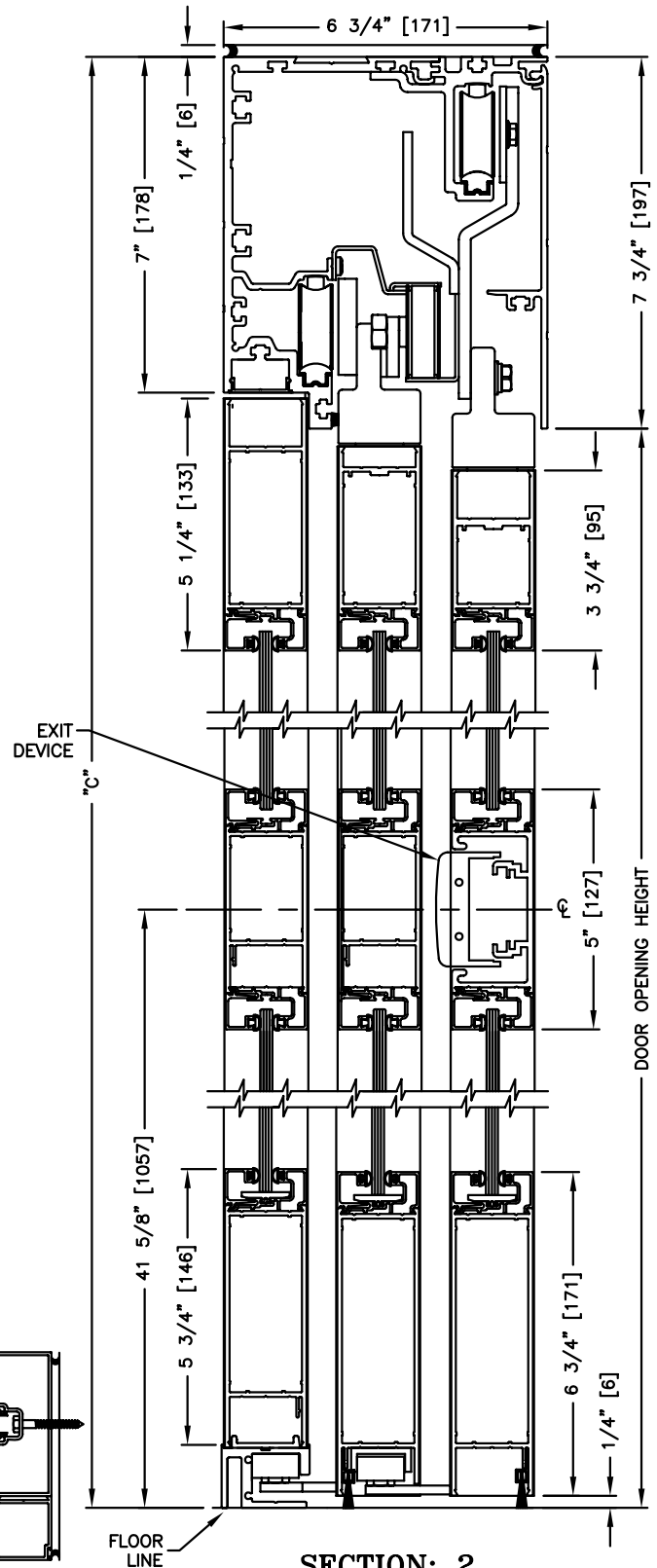


SCALE: 1/4" = 1'0"

EXTERIOR



SCALE: 1/2" = 1'0"



SCALE: 1/4" SIZE

- NOTE:**
1. See sheets 51-2.86 thru 51-2.91 for optional muntins, bottom rails, transoms, glazing variations, bottom guides & thresholds.
 2. See sheets 51-2.61 for package size details.