



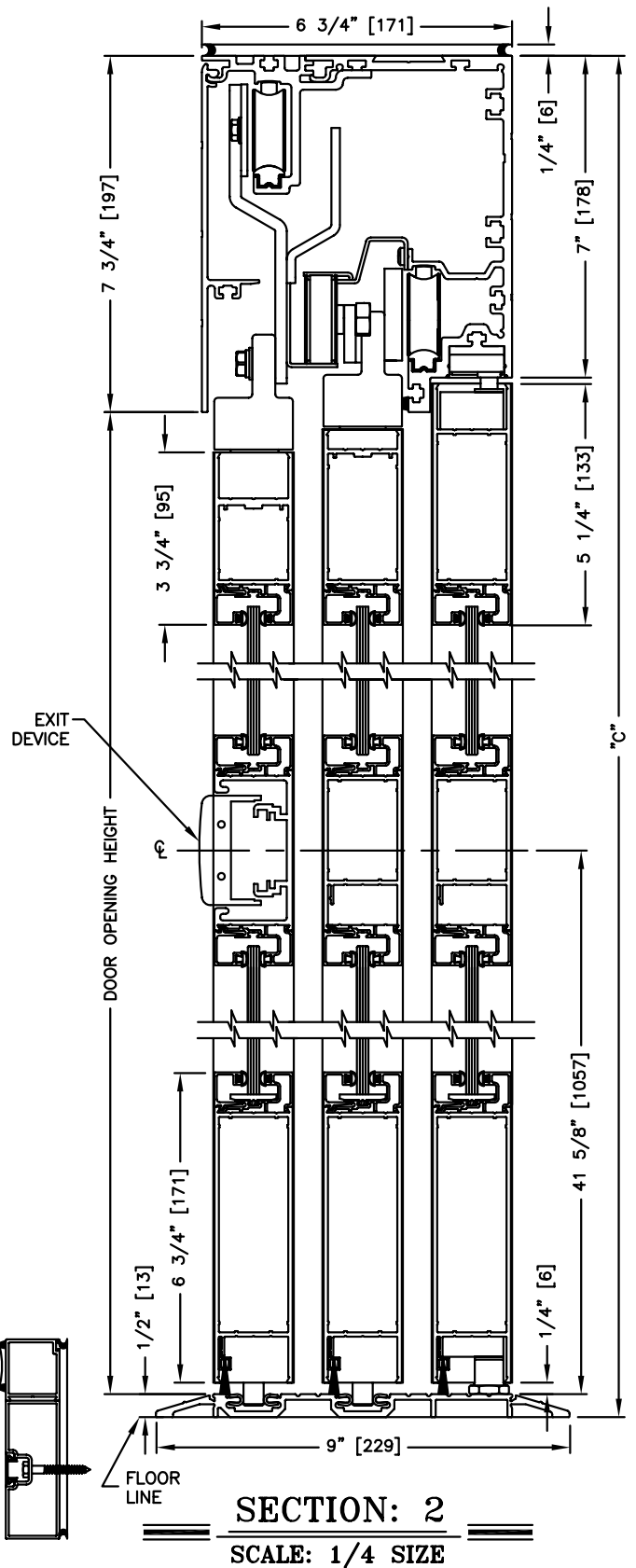
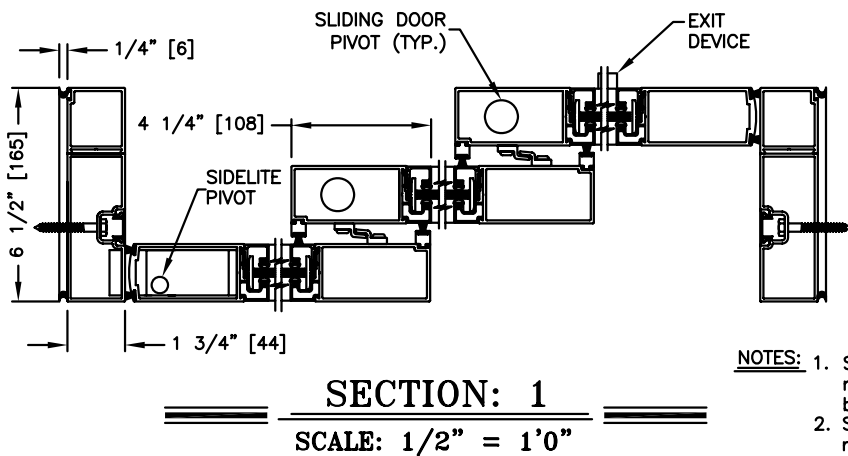
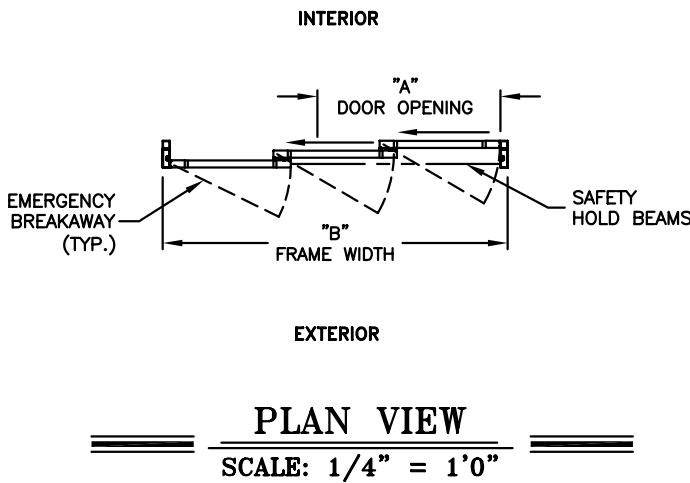
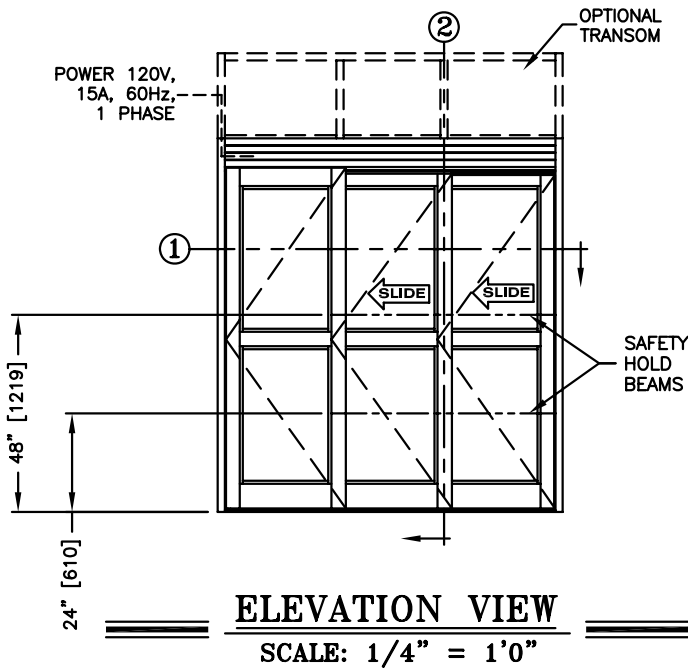
record-usa
4910 STARCREST DR.
MONROE, NC 28110
(704) 289 - 9212

JOB NAME: _____

LOCATION: _____

SERIES 5100 AUTOMATIC SLIDING DOORS

TYPE: 5122-2, S0-SX-SX, L.H. TELESCOPE
MEDIUM STILE W/SECURITY PACKAGE PAGE 51-2.80



- NOTES:**
1. See sheets 51-2.86 thru 51-2.91 for optional muntins, bottom rails, transoms, glazing variations, bottom guides & thresholds.
 2. See sheet 51-2.92 for additional details of recessed pin guide.
 3. See sheet 51-2.63 for package size details.