



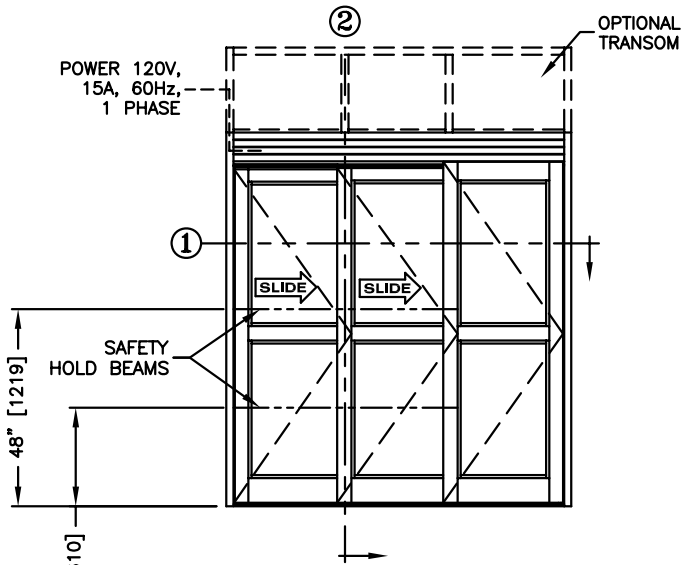
record-usa
4910 STARCREST DR.
MONROE, NC 28110
(704) 289 - 9212

JOB NAME: _____

LOCATION: _____

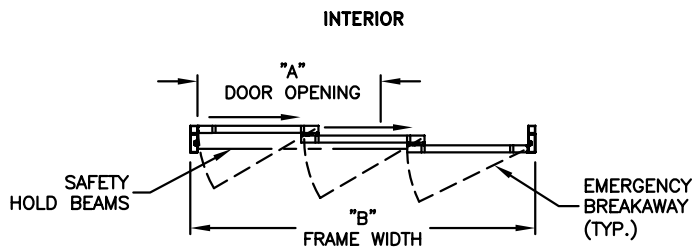
SERIES 5100 AUTOMATIC SLIDING DOORS

TYPE; 5123-2, SX-SX-SO, R.H. TELESCOPE
MEDIUM STILE W/SECURITY PACKAGE PAGE 51-2.81



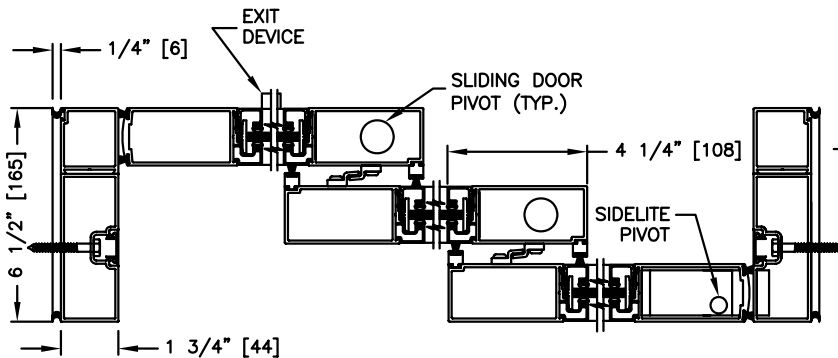
ELEVATION VIEW

SCALE: 1/4" = 1'0"



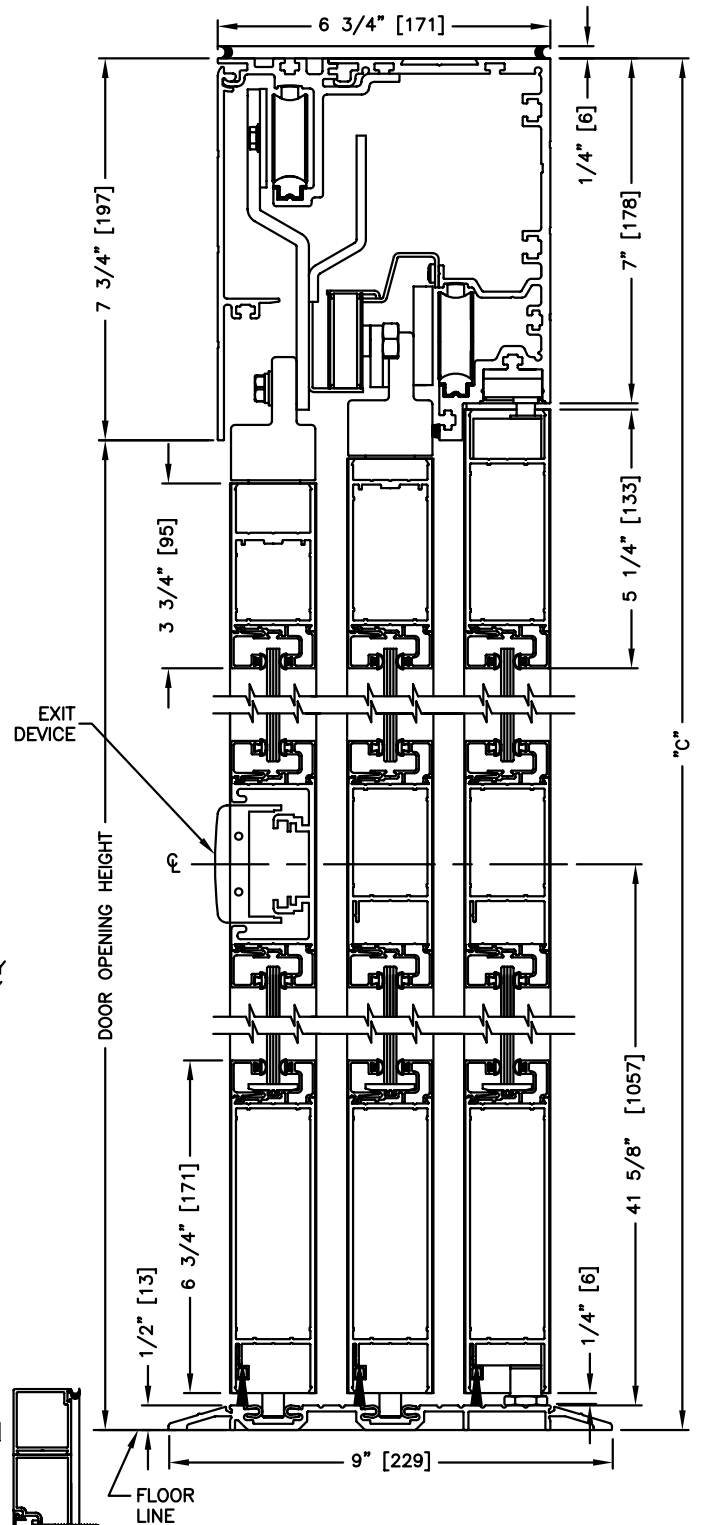
PLAN VIEW

SCALE: 1/4" = 1'0"



SECTION: 1

SCALE: 1/2" = 1'0"



SECTION: 2

SCALE: 1/4" SIZE

- NOTES:**
1. See sheets 51-2.86 thru 51-2.91 for optional muntins, bottom rails, transoms, glazing variations, bottom guides & thresholds.
 2. See sheet 51-2.92 for additional details of recessed pin guide.
 3. See sheet 51-2.64 for package size details.