



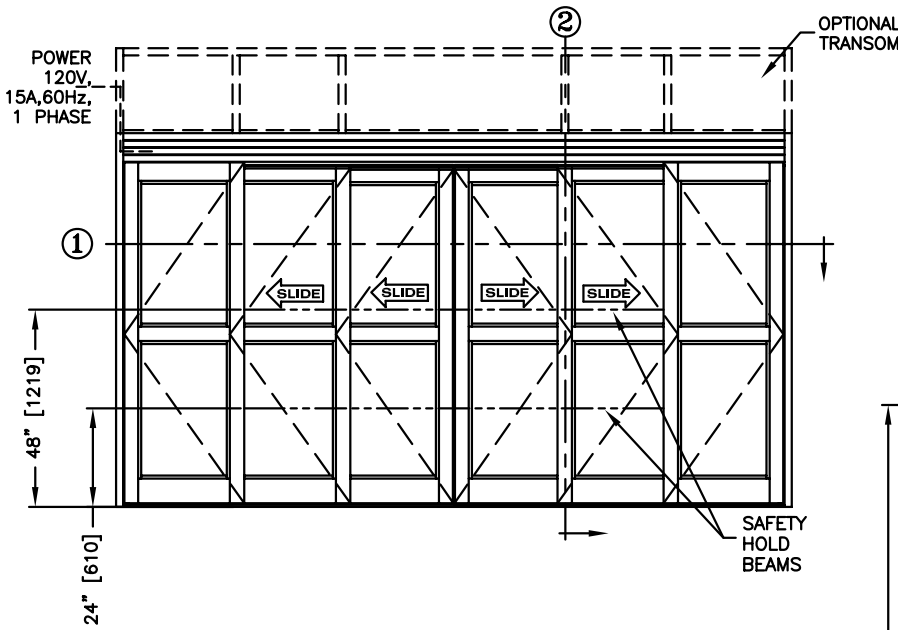
record-usa
4910 STARCREST DR.
MONROE, NC 28110
(704) 289 - 9212

JOB NAME: _____

LOCATION: _____

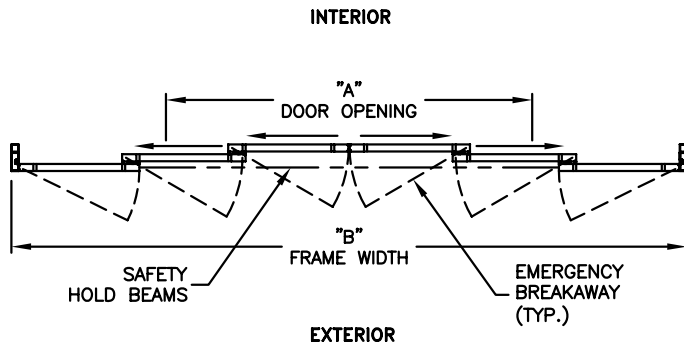
SERIES 5100 AUTOMATIC SLIDING DOORS

TYPE: 5124-2, SO-SX-SX-SX-SO,
BI-PART TELESCOPE
MEDIUM STILE W/SECURITY PACKAGE PAGE 51-2.82



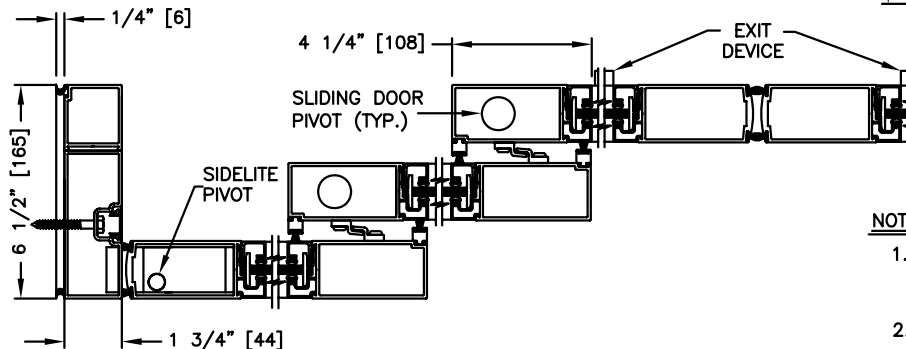
ELEVATION VIEW

SCALE: 1/4" = 1'0"



PLAN VIEW

SCALE: 1/4" = 1'0"

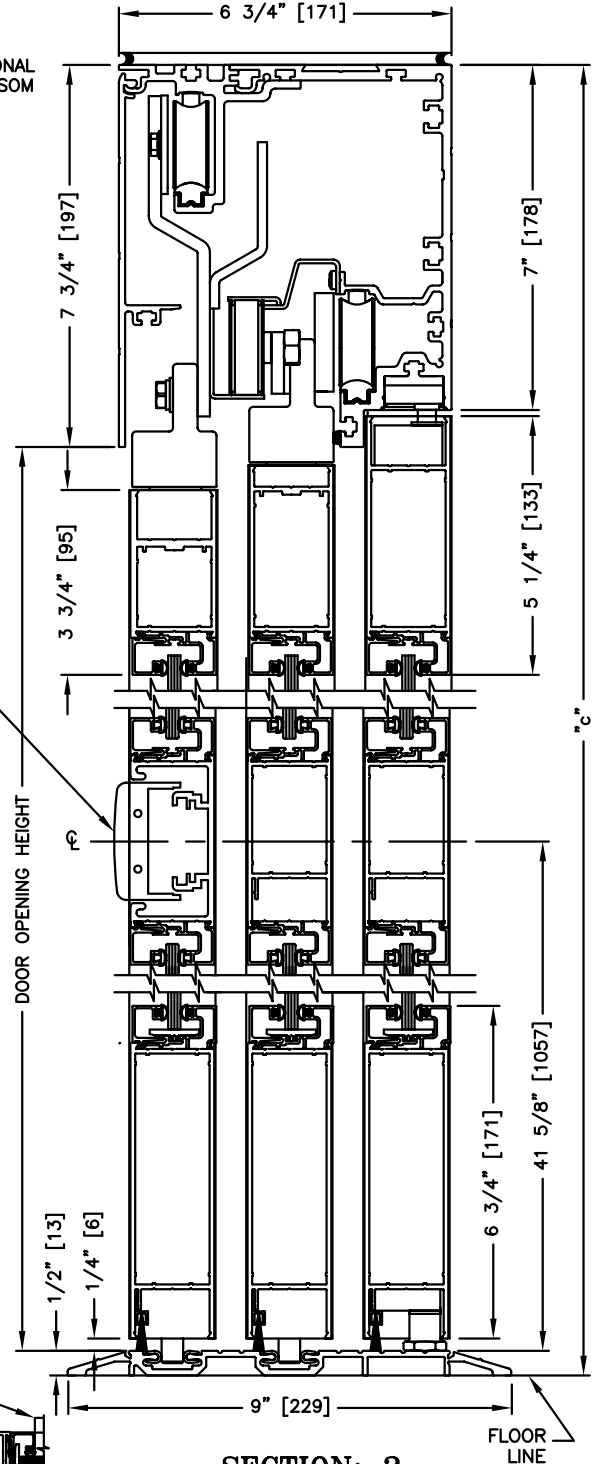


SECTION: 1

SCALE: 1/2" = 1'0"

NOTES:

1. See sheets 51-2.86 thru 51-2.91 for optional muntins, bottom rails, transoms, glazing variations, bottom guides & thresholds.
2. See sheet 51-2.92 for additional details of recessed pin guide.
3. See sheet 51-2.65 for package size details.



SECTION: 2

SCALE: 1/4" SIZE