

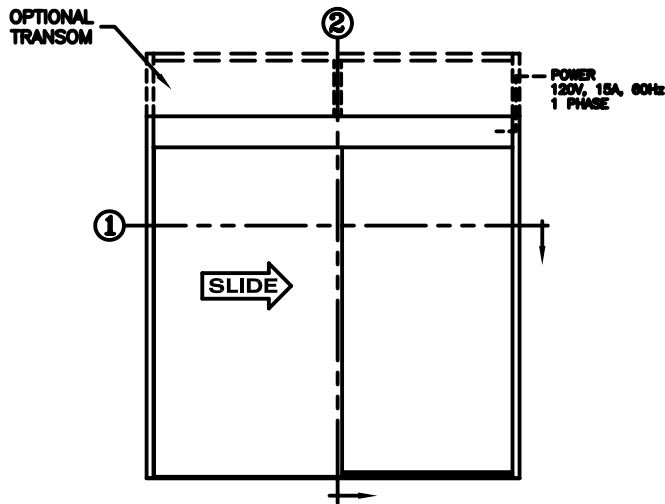


record-usa
4910 STARCREST DR.
MONROE, NC 28110
(704) 289 - 9212

JOB NAME: _____
LOCATION: _____

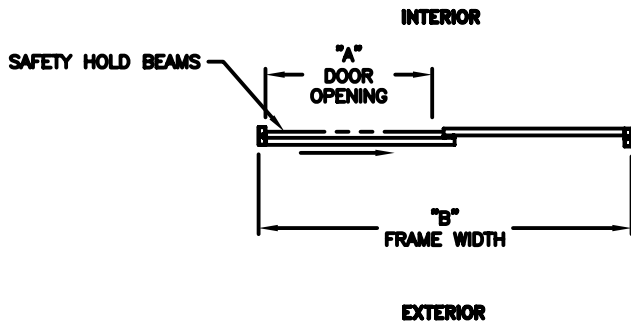
SERIES 5600 AUTOMATIC SLIDING DOORS

TYPE: 5602, X-O, R.H. SINGLE NON-BREAKOUT
WOOD OR HOLLOW METAL DOORS (BY OTHERS)
PAGE 51-2.84



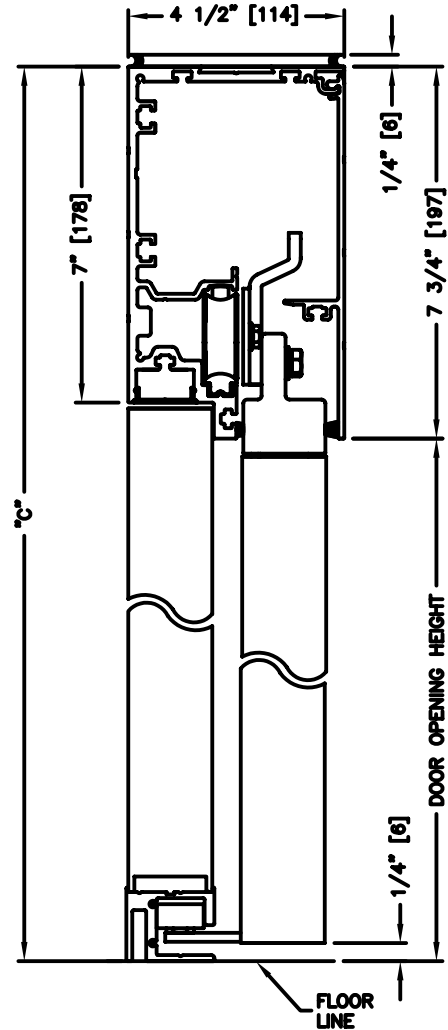
ELEVATION VIEW

SCALE: 1/4" = 1'0"



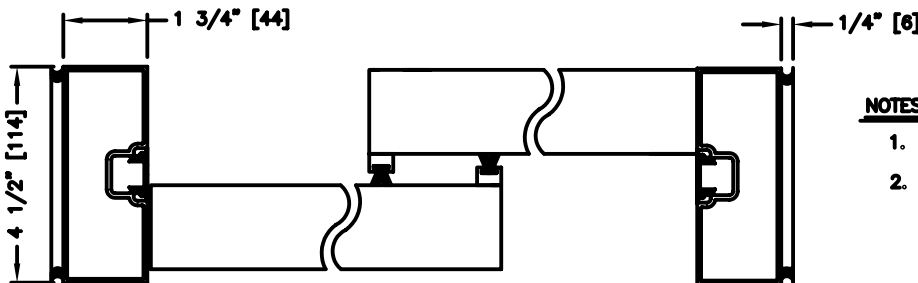
PLAN VIEW

SCALE: 1/4" = 1'0"



SECTION: 2

SCALE: 1/4 SIZE



SECTION: 1

SCALE: 1/4 SIZE

NOTES:

1. See sheet 51-2.87 for optional transoms.
2. See sheets 51-2.86 and 51-2.91 for optional bottom guides & thresholds.