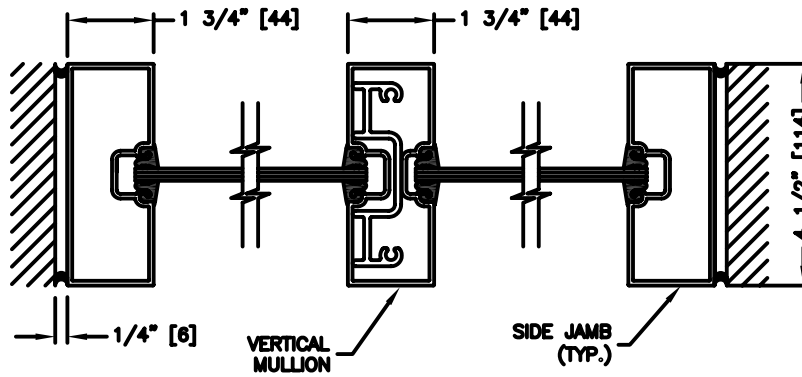
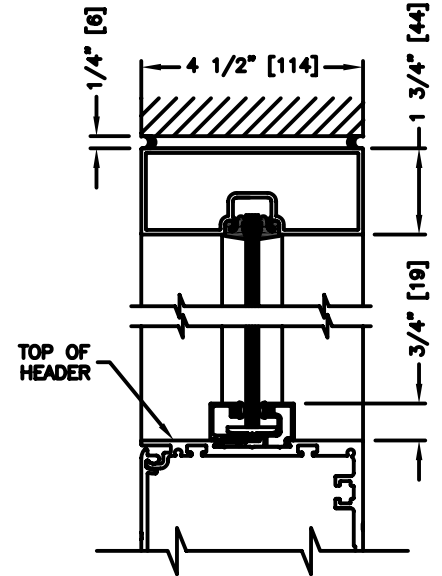


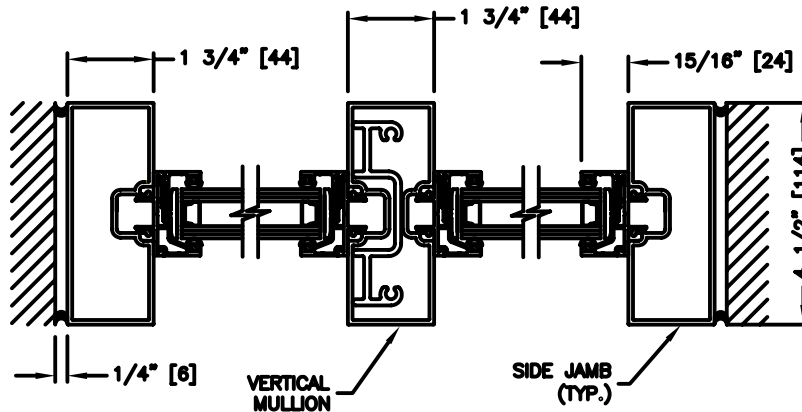
TRANSOM DETAILS
SCALE: 1/4" SIZE



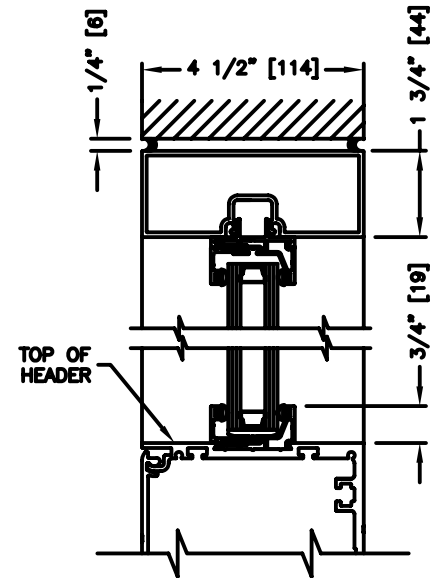
HORIZONTAL SECTION THROUGH TRANSOM
(SHOWN WITH 1/4" GALZING)



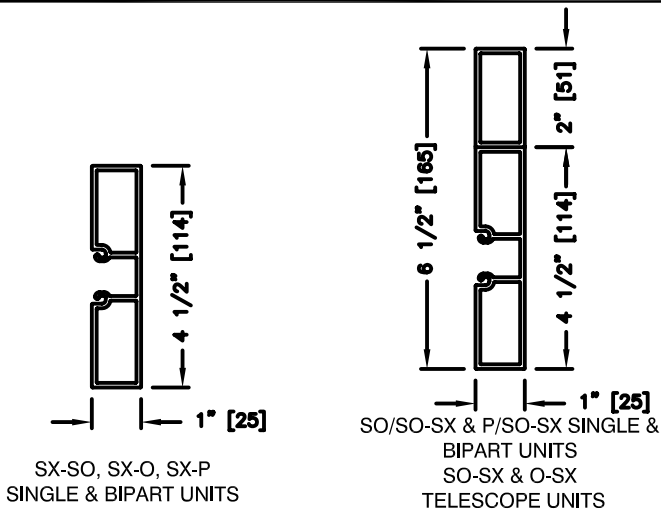
VERTICAL SECTION THROUGH TRANSOM
(SHOWN WITH 1/4" GALZING)



HORIZONTAL SECTION THROUGH TRANSOM
(SHOWN WITH 1" THERMAL GALZING)



VERTICAL SECTION THROUGH TRANSOM
(SHOWN WITH 1" THERMAL GALZING)



1" JAMB DETAILS
SCALE: 1/4" SIZE

NOTE:

WHEN USING 1" JAMBS IN PLACE OF STANDARD 1 3/4" JAMBS, DOOR OPENING WIDTH (DOW) IS INCREASED BY 3/4" (SINGLE & BIPART UNITS) AND BY 1" (TELESCOPING UNITS).