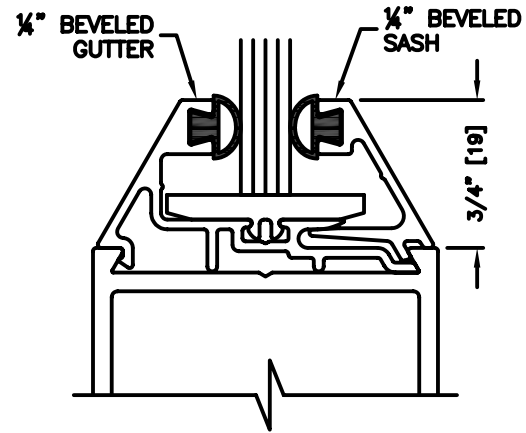
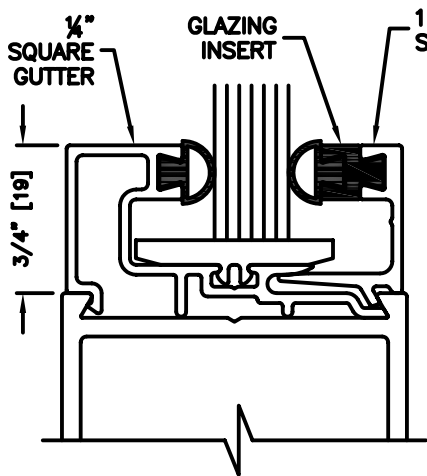


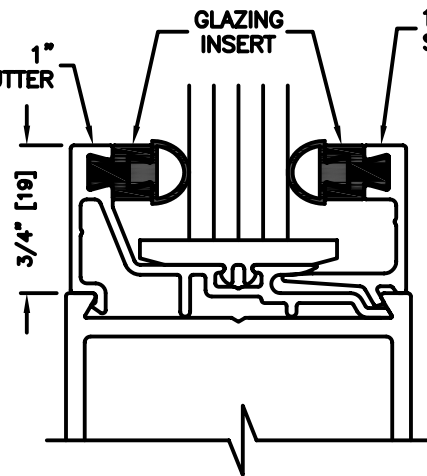
1/4" [6] GLAZING  
 (STANDARD)



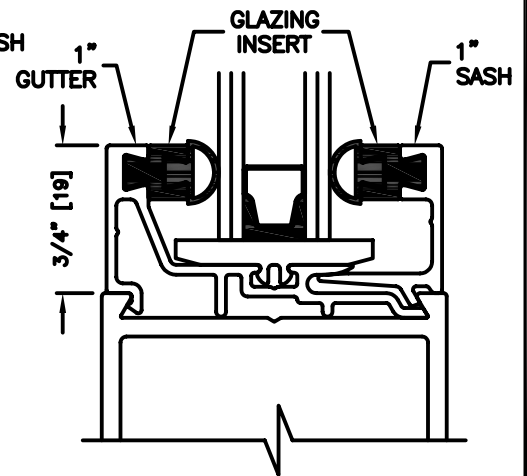
OPTIONAL 1/4" [6] BEVELED  
 SASH & GUTTER  
 (HORIZONTALS ONLY)



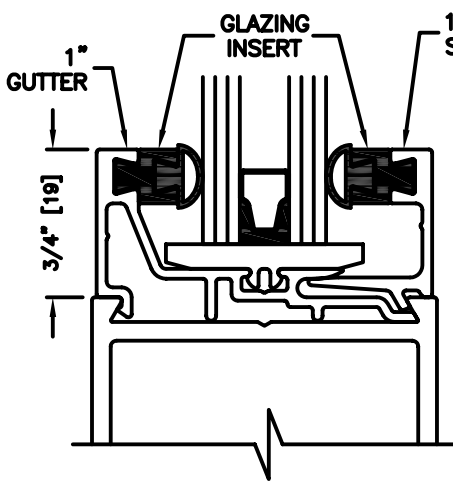
3/8" [9,5] GLAZING



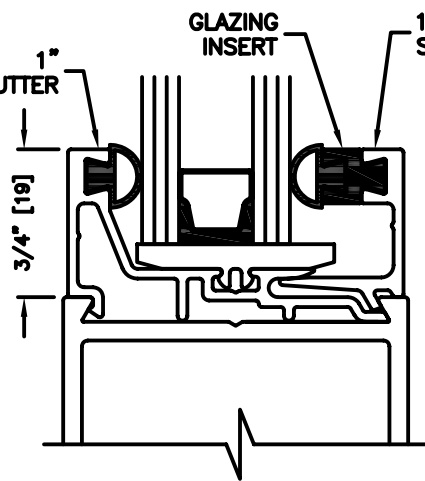
1/2" [13] GLAZING



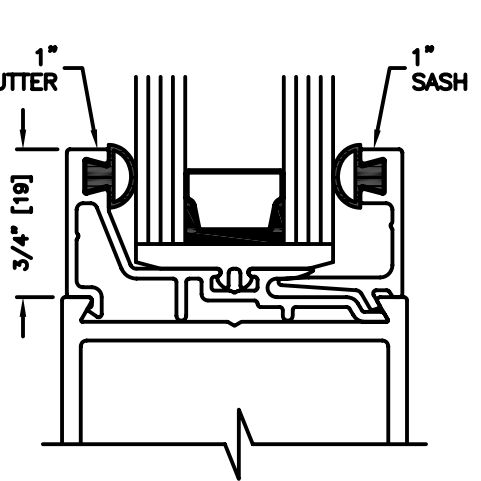
5/8" [14] GLAZING



5/8" [16] GLAZING



3/4" [19] GLAZING



1" [25] GLAZING

**SASH, GUTTER & GLAZING INSERT COMBINATIONS  
 FOR VARIOUS GLAZING THICKNESSES**

**SCALE: FULL SIZE**