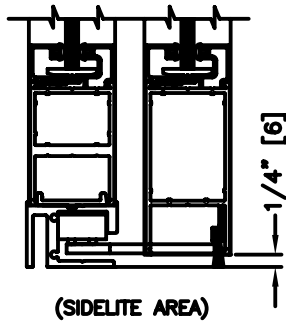


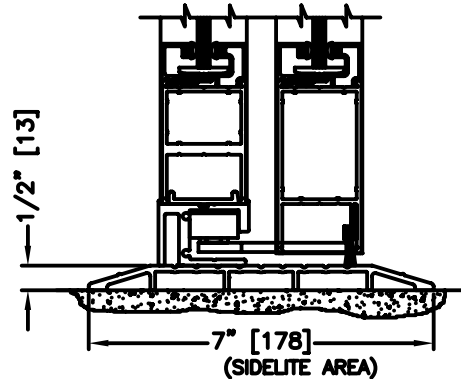


Note: Clearances Under Doors and Sidelites Are Minimum. Floor Conditions or Door Height May Vary Clearances.

**BOTTOM GUIDES FOR SX-O & SX-P UNITS**

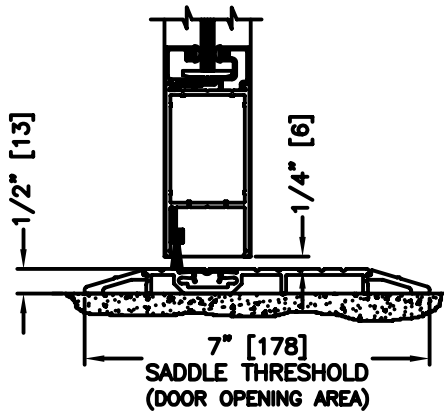


(SIDELITE AREA)  
**SWAY RAIL W/O THRESHOLD**  
SCALE: 1/4" SIZE

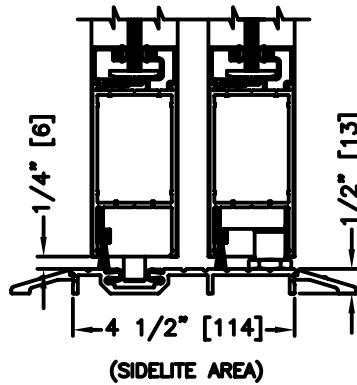


**SWAY RAIL W/THRESHOLD**  
SCALE: 1/4" SIZE

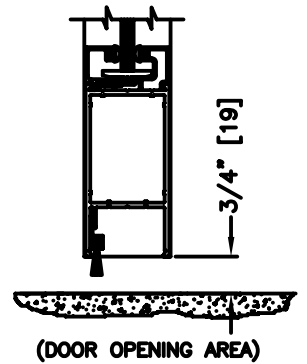
**BOTTOM GUIDES FOR SO-SX & REVERSE BREAKOUT SX-P UNITS**



**SURFACE PIN GUIDE W/THRESHOLD**  
SCALE: 1/4" SIZE

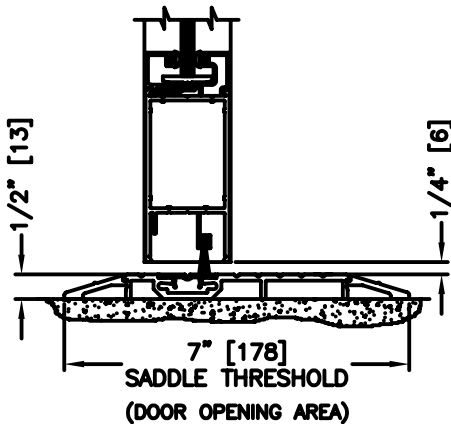


(SIDELITE AREA)

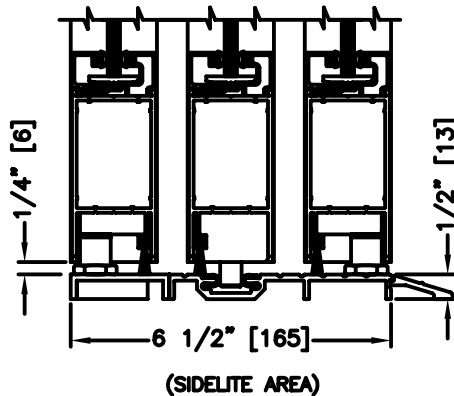


(DOOR OPENING AREA)  
**SURFACE PIN GUIDE W/O THRESHOLD**  
SCALE: 1/4" SIZE

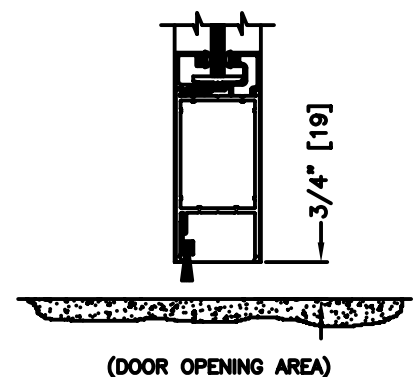
**BOTTOM GUIDES FOR SO/SO-SX & P/SO-SX UNITS**



**SURFACE PIN GUIDE W/THRESHOLD**  
SCALE: 1/4" SIZE



(SIDELITE AREA)



(DOOR OPENING AREA)  
**SURFACE PIN GUIDE W/O THRESHOLD**  
SCALE: 1/4" SIZE