



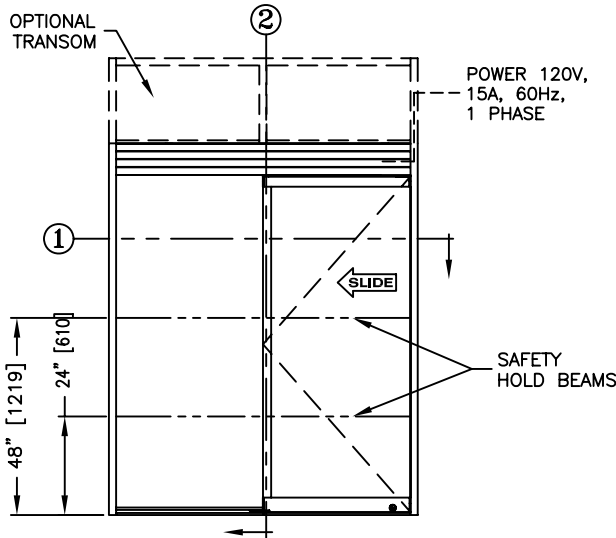
record-usa
4910 STARCREST DR.
MONROE, NC 28110
(704) 289 - 9212

JOB NAME: _____
LOCATION: _____

SERIES 5200 ALL GLASS SLIDING DOORS

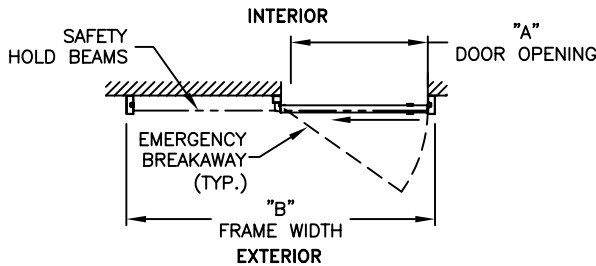
TYPE: 5204-1, P-SX, L.H. SINGLE

PAGE 52-2.04



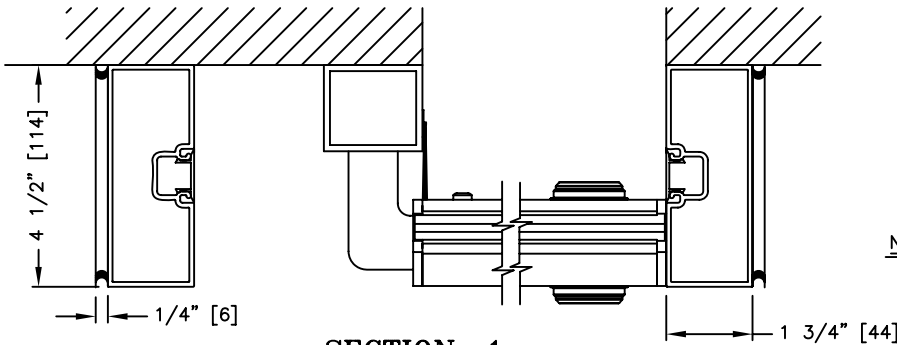
ELEVATION VIEW

SCALE: 1/4" = 1'0"



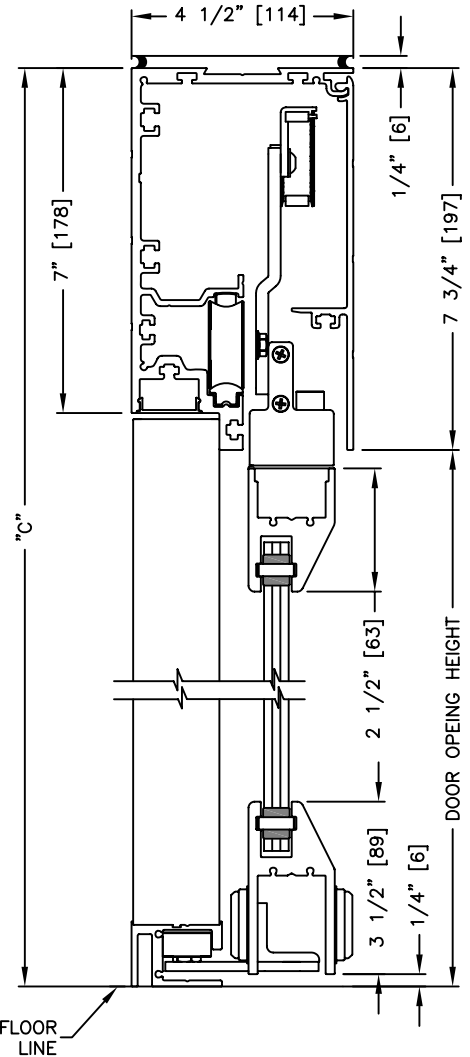
PLAN VIEW

SCALE: 1/4" = 1'0"



SECTION: 1

SCALE: 1/4 SIZE



SECTION: 2

SCALE: 1/4 SIZE

NOTES:

- See sheets 51-2.86 thru 51-2.91 for optional transoms, bottom guides & thresholds.

DIMENSIONS FOR STANDARD NARROW STILE PACKAGES

DOOR OPENING "A"	STD. PACKAGE WIDTH "B"	STD. PACKAGE HEIGHT "C" W OR W/O THRESHOLD	DOOR OPENING HEIGHT W/ THRESHOLD	DOOR OPENING HEIGHT W/O THRESHOLD	I/S TUBE -TO-TUBE (MAX. OPENING MANUALLY)
36-5/8 (930)	84 (2134)	91 (2311)	82-3/4 (2102)	83-1/4 (2115)	40-1/4 (1022)
42-5/8 (1083)	96 (2438)	91 (2311)	82-3/4 (2102)	83-1/4 (2115)	46-1/4 (1175)
45-5/8 (1159)	102 (2591)	91 (2311)	82-3/4 (2102)	83-1/4 (2115)	49-1/4 (1251)
48-5/8 (1235)	108 (2743)	91 (2311)	82-3/4 (2102)	83-1/4 (2115)	52-1/4 (1327)

Masonry Opening is 1/4" (6) per side larger and 1/4" taller than package dimensions.
Measurements given in inches (millimeters).