

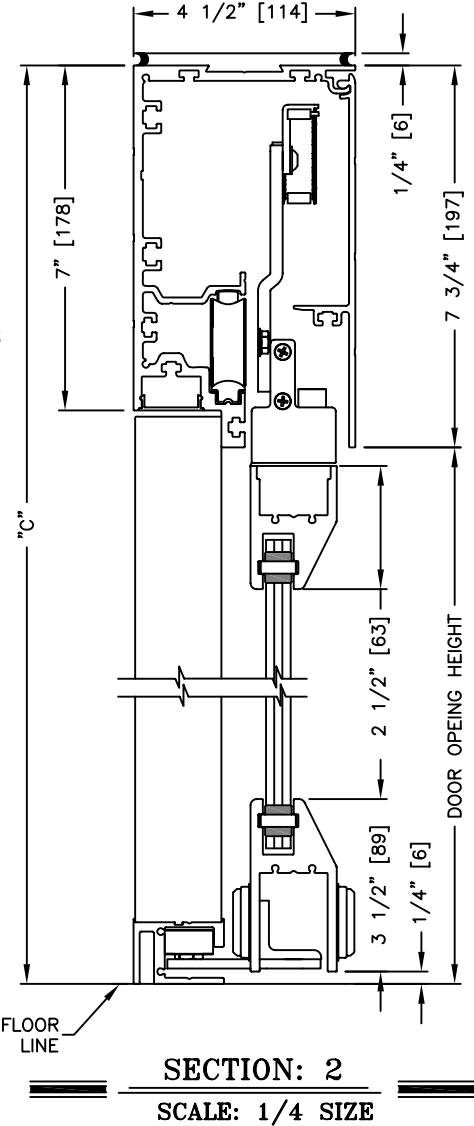
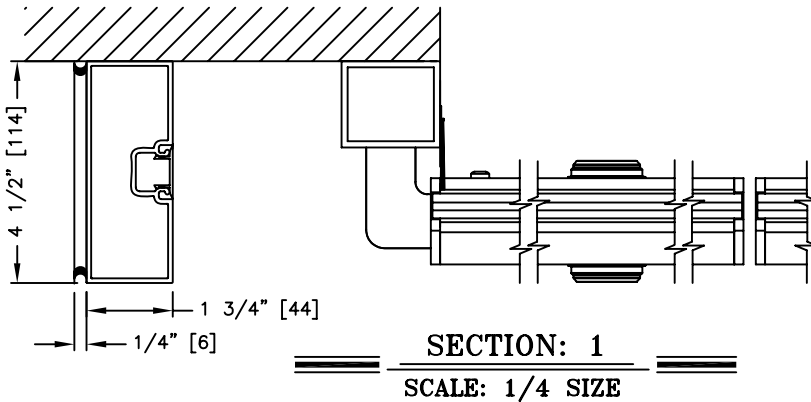
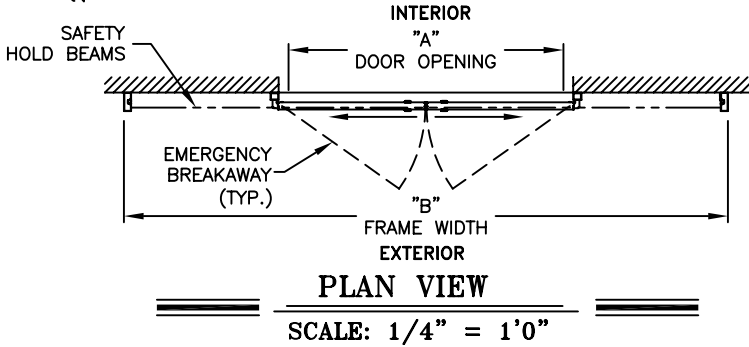
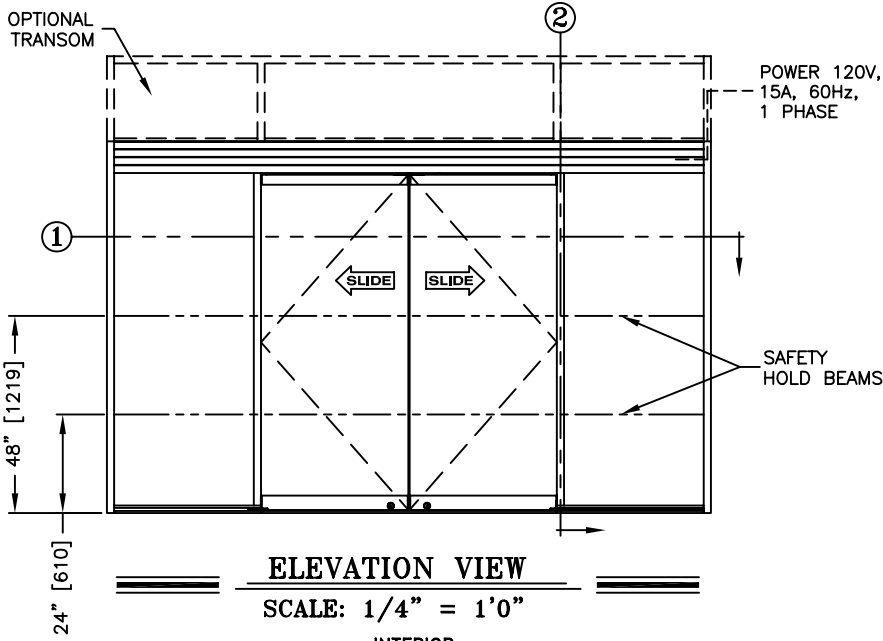


record-usa
4910 STARCREST DR.
MONROE, NC 28110
(704) 289 - 9212

JOB NAME: _____
LOCATION: _____

SERIES 5200 ALL GLASS SLIDING DOORS

TYPE: 5206-1, P-SX-SX-P, BI-PART
PAGE 52-2.06



NOTES:

- See sheets 51-2.86 thru 51-2.91 for optional transoms, bottom guides & thresholds.

DIMENSIONS FOR STANDARD PACKAGES

DOOR OPENING "A"	STD. PACKAGE WIDTH "B"	STD. PACKAGE HEIGHT "C"	STD. PACKAGE HEIGHT "C" W/THRESHOLD	DOOR OPENING HEIGHT W/O THRESHOLD	DOOR OPENING HEIGHT W/THRESHOLD	I/S TUBE -TO-TUBE (MAX. OPENING MANUALLY)
45 (1143)	108 (2743)	91 (2311)	91 (2311)	83-1/4 (2115)	82-3/4 (2102)	52-1/4 (1327)
51 (1295)	120 (3048)	91 (2311)	91 (2311)	83-1/4 (2115)	82-3/4 (2102)	58-1/4 (1480)
63 (1600)	144 (3658)	91 (2311)	91 (2311)	83-1/4 (2115)	82-3/4 (2102)	70-1/4 (1784)
75 (1905)	168 (4267)	91 (2311)	91 (2311)	83-1/4 (2115)	82-3/4 (2102)	82-1/4 (2089)
87 (2210)	192 (4877)	91 (2311)	91 (2311)	83-1/4 (2115)	82-3/4 (2102)	94-1/4 (2394)

Masonry Opening is 1/4" (6) per side larger and 1/4" taller than package dimensions.
Measurements given in inches (millimeters).