

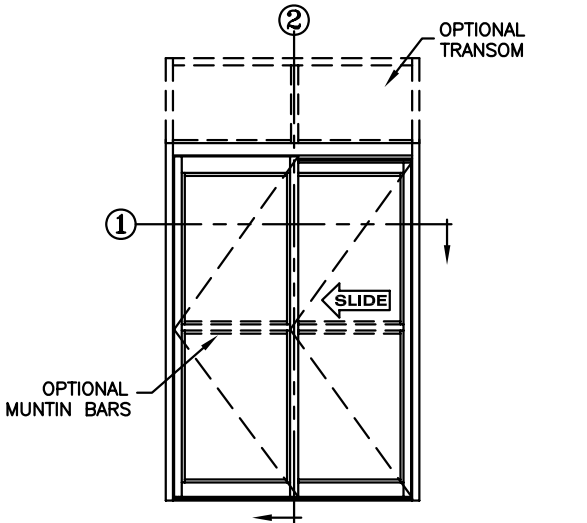


**record-usa**  
4910 STARCREST DR.  
MONROE, NC 28110  
(704) 289 - 9212

JOB NAME: \_\_\_\_\_  
LOCATION: \_\_\_\_\_

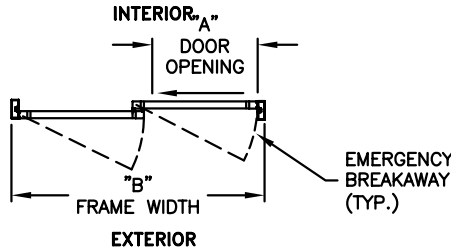
**5900 SERIES MANUAL SLIDING DOORS**

TYPE: 5904-1, S0-SX, L.H. SINGLE  
SURFACE PIN GUIDE  
PAGE 59-2.04



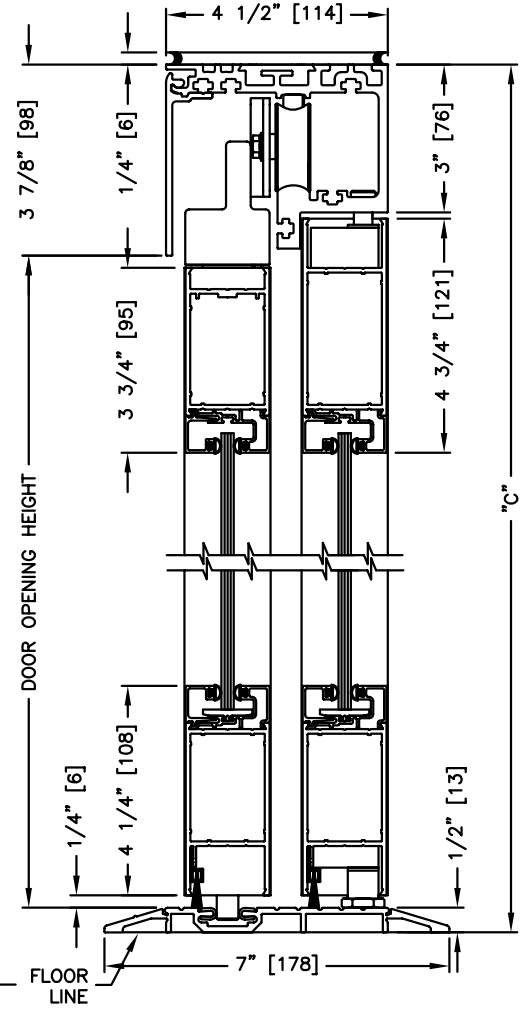
**ELEVATION VIEW**

SCALE: 1/4" = 1'0"



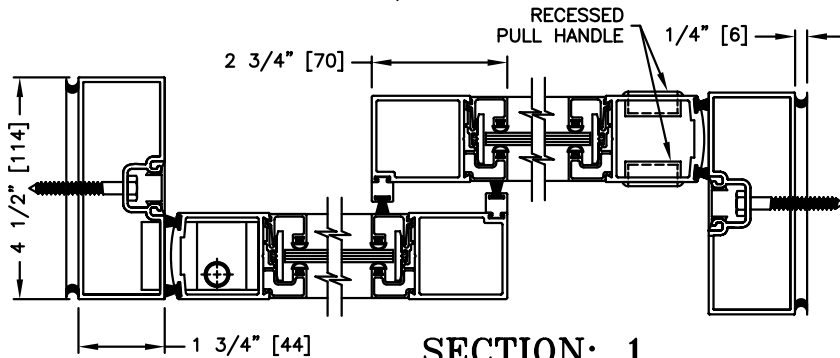
**PLAN VIEW**

SCALE: 1/4" = 1'0"



**SECTION: 2**

SCALE: 1/4 SIZE



**SECTION: 1**

SCALE: 1/4 SIZE

**NOTE:**

See sheets 59-2.39 thru 59-2.45 for optional muntins, bottom rails, transoms, glazing variations, bottom guides & thresholds.

**DIMENSIONS FOR STANDARD NARROW STILE PACKAGES**

DOOR OPENING "A"	STD. PACKAGE WIDTH "B"	STD. PACKAGE HEIGHT "C"	DOOR OPENING HEIGHT	MAX. OPENING MANUALLY
35-3/8 (899)	84 (2134)	87 (2210)	83-1/8 (2111)	75-1/16 (1907)
41-3/8 (1051)	96 (2438)	87 (2210)	83-1/8 (2111)	87-1/16 (2211)
44-3/8 (1127)	102 (2591)	87 (2210)	83-1/8 (2111)	93-1/16 (2364)
47-3/8 (1203)	108 (2743)	87 (2210)	83-1/8 (2111)	99-1/16 (2516)

Masonry Opening is 1/4" (6) per side larger and 1/4" taller than package dimensions.  
Measurements given in inches (millimeters).