



record-usa
4910 STARCREST DR.
MONROE, NC 28110
(704) 289 - 9212

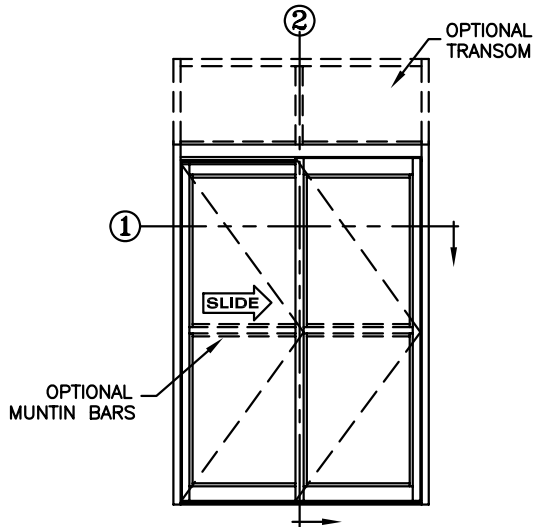
JOB NAME: _____

LOCATION: _____

5900 SERIES MANUAL SLIDING DOORS

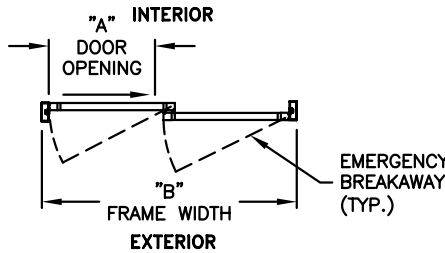
TYPE: 5905-1, SX-S0, R.H. SINGLE
SURFACE PIN GUIDE

PAGE 59-2.05



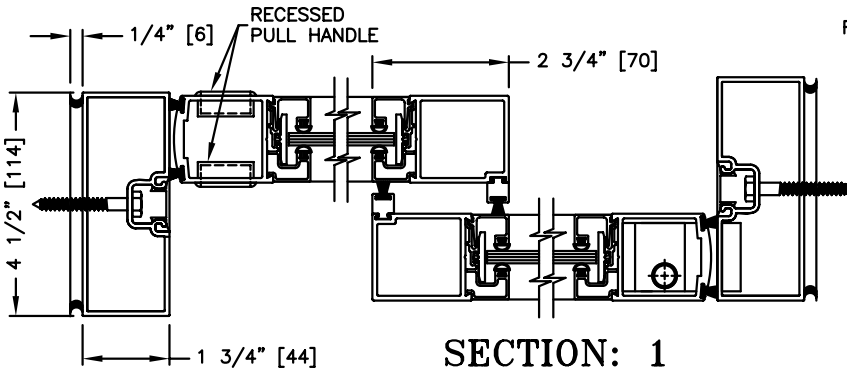
ELEVATION VIEW

SCALE: 1/4" = 1'0"



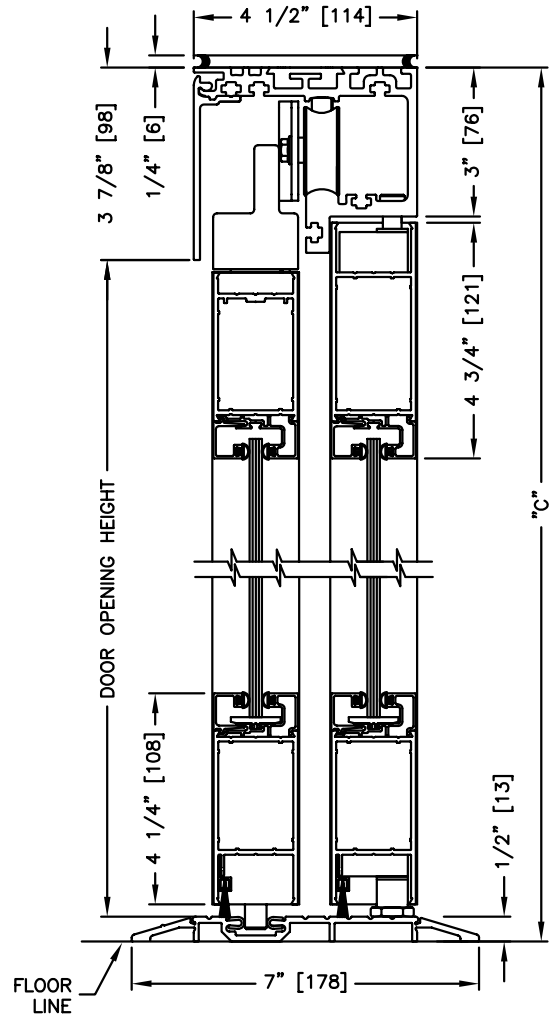
PLAN VIEW

SCALE: 1/4" = 1'0"



SECTION: 1

SCALE: 1/4 SIZE



SECTION: 2

SCALE: 1/4 SIZE

NOTE:

See sheets 59-2.39 thru 59-2.45 for optional muntins, bottom rails, transoms, glazing variations, bottom guides & thresholds.

DIMENSIONS FOR STANDARD NARROW STILE PACKAGES

DOOR OPENING "A"	STD. PACKAGE WIDTH "B"	STD. PACKAGE HEIGHT "C"	DOOR OPENING HEIGHT	MAX. OPENING MANUALLY
35-3/8 (899)	84 (2134)	87 (2210)	83-1/8 (2111)	75-1/16 (1907)
41-3/8 (1051)	96 (2438)	87 (2210)	83-1/8 (2111)	87-1/16 (2211)
44-3/8 (1127)	102 (2591)	87 (2210)	83-1/8 (2111)	93-1/16 (2364)
47-3/8 (1203)	108 (2743)	87 (2210)	83-1/8 (2111)	99-1/16 (2516)

Masonry Opening is 1/4" (6) per side larger and 1/4" taller than package dimensions.
Measurements given in inches (millimeters).