

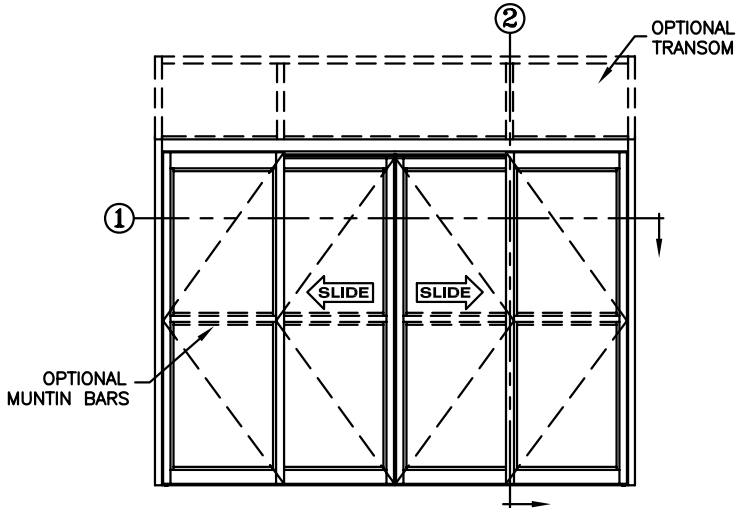


**record-usa**  
4910 STARCREST DR.  
MONROE, NC 28110  
(704) 289 - 9212

JOB NAME: \_\_\_\_\_  
LOCATION: \_\_\_\_\_

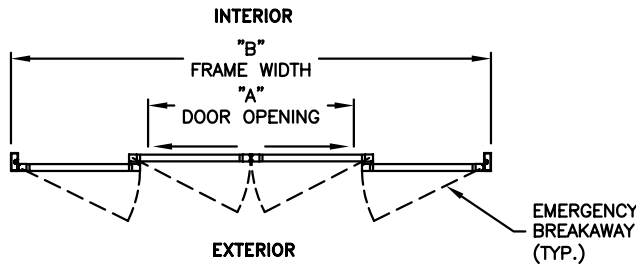
**5900 SERIES MANUAL SLIDING DOORS**

TYPE: 5906-1, S0-SX-SX-S0, BI-PART  
RECESSED PIN GUIDE  
PAGE 59-2.09



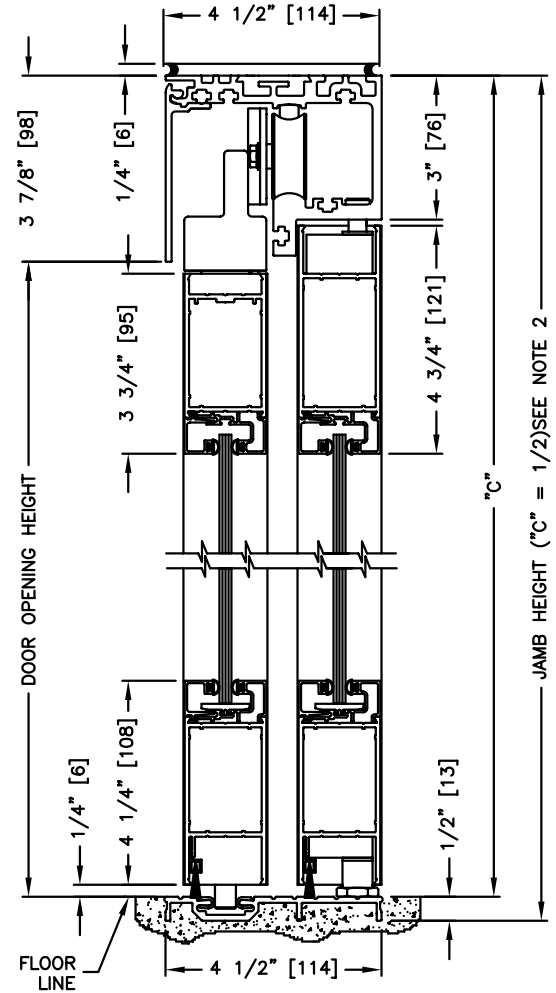
**ELEVATION VIEW**

SCALE: 1/4" = 1'0"



**PLAN VIEW**

SCALE: 1/4" = 1'0"

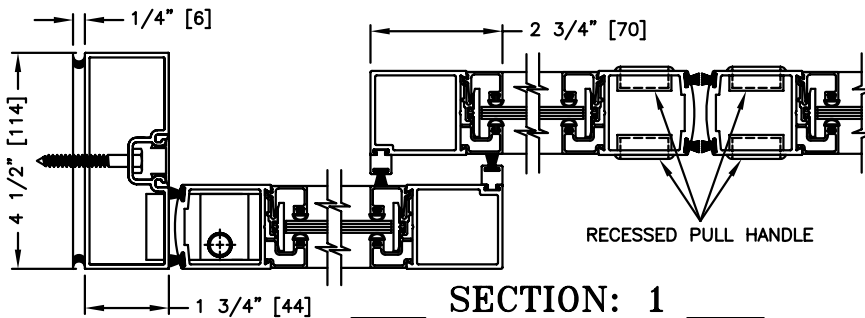


**SECTION: 2**

SCALE: 1/4 SIZE

**NOTE:**

1. See sheets 59-2.39 thru 59-2.45 for optional muntins, bottom rails, transoms, glazing variations, bottom guides & thresholds.



**SECTION: 1**

SCALE: 1/4 SIZE

**DIMENSIONS FOR STANDARD NARROW STILE PACKAGES**

DOOR OPENING "A"	STD. PACKAGE WIDTH "B"	STD. PACKAGE HEIGHT "C"	DOOR OPENING HEIGHT	MAX. OPENING MANUALLY
42-1/2 (1080)	108 (2743)	86-1/2 (2197)	82-3/4 (2102)	93-5/8 (2378)
48-1/2 (1232)	120 (3048)	86-1/2 (2197)	82-3/4 (2102)	105-5/8 (2683)
60-1/2 (1537)	144 (3658)	86-1/2 (2197)	82-3/4 (2102)	129-5/8 (3292)
72-1/2 (1842)	168 (4267)	86-1/2 (2197)	82-3/4 (2102)	153-5/8 (3902)
84-1/2 (2146)	192 (4877)	86-1/2 (2197)	82-3/4 (2102)	177-5/8 (4512)

Masonry Opening is 1/4" (6) per side larger and 1/4" taller than package dimensions.  
Measurements given in inches (millimeters).