

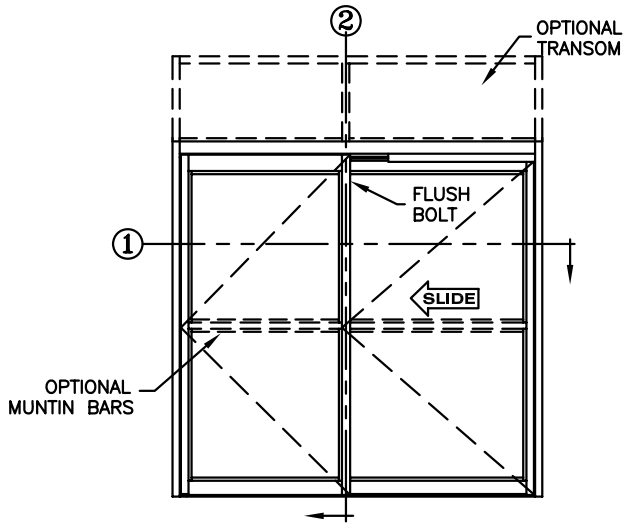


record-usa
4910 STARCREST DR.
MONROE, NC 28110
(704) 289 - 9212

JOB NAME: _____
LOCATION: _____

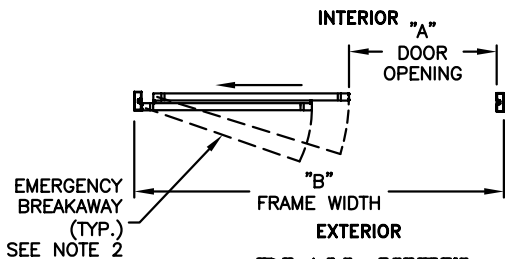
5900 SERIES MANUAL SLIDING DOORS

TYPE: 5904-1, SO-SX, L.H. SINGLE
TRACKLESS BOTTOM GUIDE PAGE 59-2.10



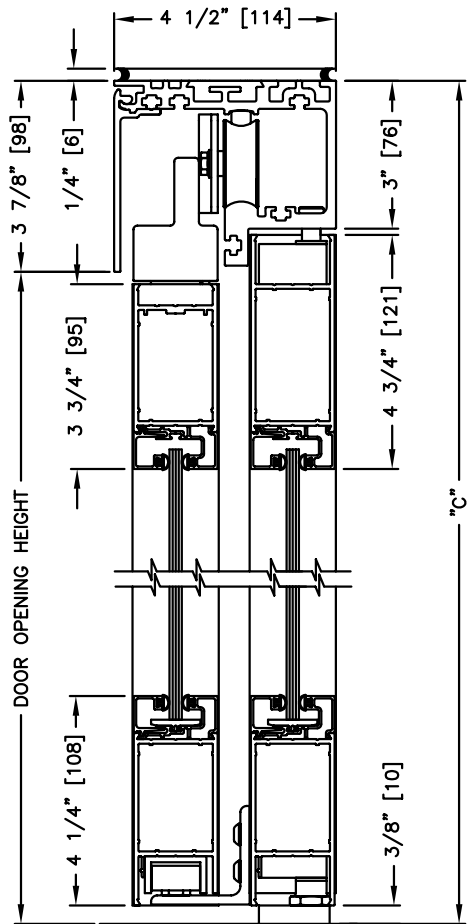
ELEVATION VIEW

SCALE: 1/4" = 1'0"



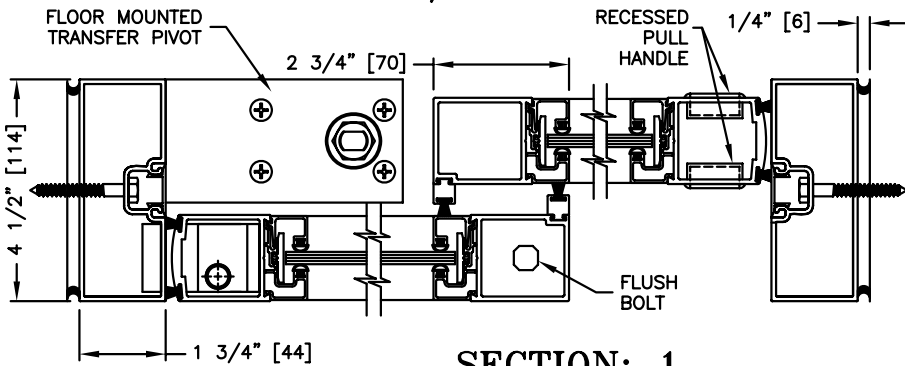
PLAN VIEW

SCALE: 1/4" = 1'0"



SECTION: 2

SCALE: 1/4 SIZE



SECTION: 1

SCALE: 1/4 SIZE

NOTE:

1. See sheets 59-2.39 thru 59-2.45 for optional muntins, bottom rails, transoms, glazing variations, bottom guides & thresholds.
2. Panels breakaway only when sliding door is fully open and flush bolt at the top of the "SO" panel is released.

DIMENSIONS FOR STANDARD NARROW STILE PACKAGES

DOOR OPENING "A"	STD. PACKAGE WIDTH "B"	STD. PACKAGE HEIGHT "C"	DOOR OPENING HEIGHT	MAX. OPENING MANUALLY
36 (914)	90 (2286)	87 (2210)	82 (2083)	81-3/4 (2076)
42 (1067)	102 (2591)	87 (2210)	82 (2083)	93-3/4 (2381)
45 (1143)	108 (2743)	87 (2210)	82 (2083)	99-3/4 (2534)
48 (1219)	114 (2896)	87 (2210)	82 (2083)	105-3/4 (2686)

Masonry Opening is 1/4" (6) per side larger and 1/4" taller than package dimensions.
Measurements given in inches (millimeters).