



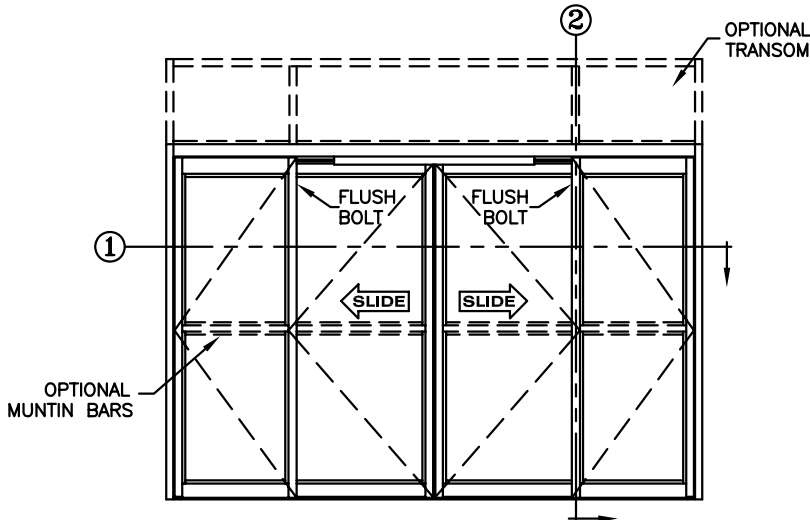
**record-usa**  
4910 STARCREST DR.  
MONROE, NC 28110  
(704) 289 - 9212

JOB NAME: \_\_\_\_\_

LOCATION: \_\_\_\_\_

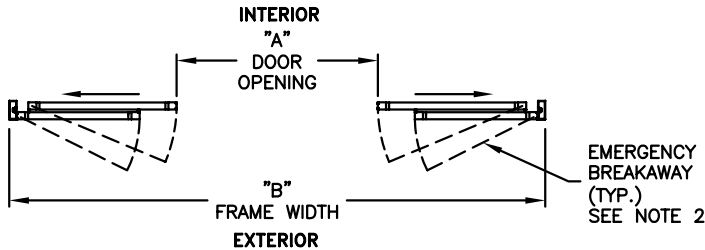
**5900 SERIES MANUAL SLIDING DOORS**

TYPE: 5906-1, S0-SX-SX-S0, BI-PART  
TRACKLESS BOTTOM GUIDE



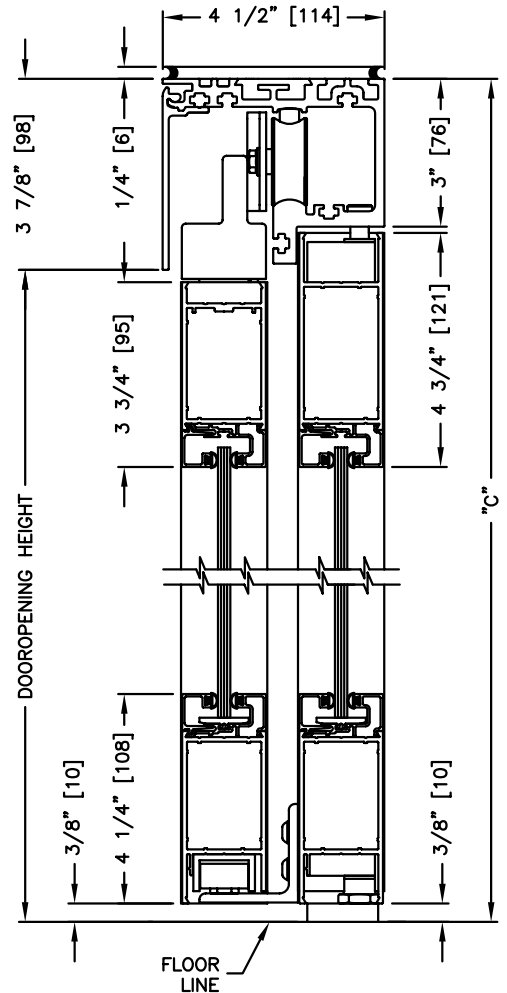
**ELEVATION VIEW**

SCALE: 1/4" = 1'0"



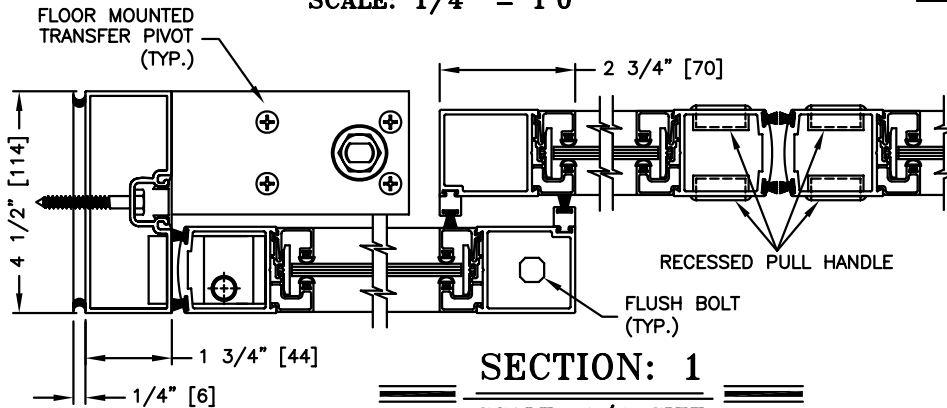
**PLAN VIEW**

SCALE: 1/4" = 1'0"



**SECTION: 2**

SCALE: 1/4 SIZE



**SECTION: 1**

SCALE: 1/4 SIZE

**NOTE:**

1. See sheets 59-2.39 thru 59-2.45 for optional muntins, bottom rails, transoms, glazing variations, bottom guides & thresholds.
2. Panels breakaway only when sliding door is fully open and flush bolt at the top of the "S0" panel is released.

**DIMENSIONS FOR STANDARD NARROW STILE PACKAGES**

| DOOR OPENING "A" | STD. PACKAGE WIDTH "B" | STD. PACKAGE HEIGHT "C" | DOOR OPENING HEIGHT | MAX. OPENING MANUALLY |
|------------------|------------------------|-------------------------|---------------------|-----------------------|
| 42<br>(1067)     | 116-1/2<br>(2959)      | 87<br>(2210)            | 82<br>(2083)        | 103-5/8<br>(2632)     |
| 48<br>(1219)     | 128-1/2<br>(3264)      | 87<br>(2210)            | 82<br>(2083)        | 115-5/8<br>(2937)     |
| 60<br>(1524)     | 152-1/2<br>(3874)      | 87<br>(2210)            | 82<br>(2083)        | 139-5/8<br>(3546)     |
| 72<br>(1829)     | 176-1/2<br>(4483)      | 87<br>(2210)            | 82<br>(2083)        | 163-5/8<br>(4156)     |
| 84<br>(2134)     | 200-1/2<br>(5093)      | 87<br>(2210)            | 82<br>(2083)        | 187-5/8<br>(4766)     |

Masonry Opening is 1/4" (6) per side larger and 1/4" taller than package dimensions.  
Measurements given in inches (millimeters).