

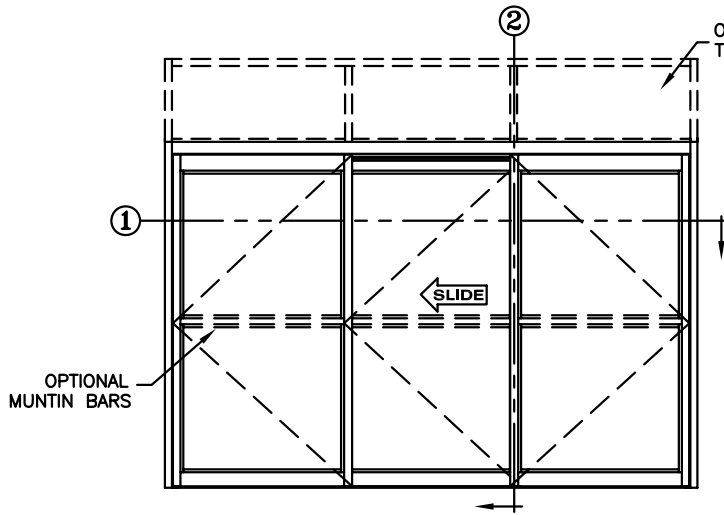


**record-usa**  
4910 STARCREST DR.  
MONROE, NC 28110  
(704) 289 - 9212

JOB NAME: \_\_\_\_\_  
LOCATION: \_\_\_\_\_

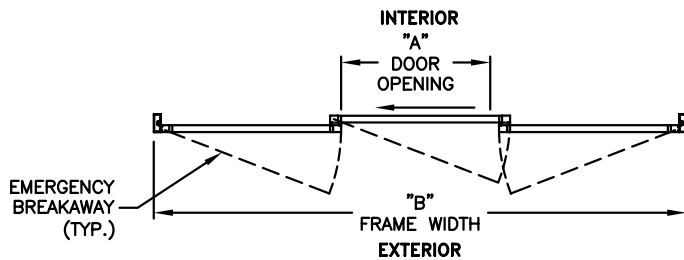
**5900 SERIES MANUAL SLIDING DOORS**

TYPE: 5930-1, S0-SX-S0, 3-PANEL  
W/CENTER SLIDE LH  
RECESSED PIN GUIDE



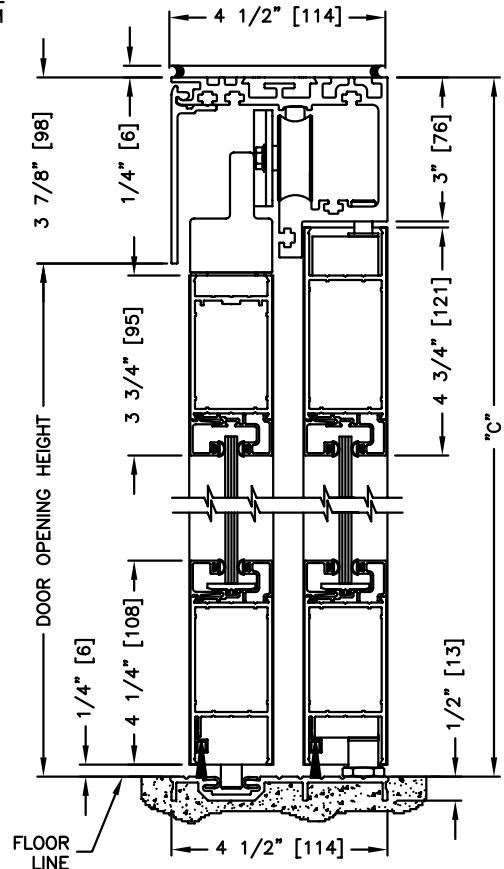
**ELEVATION VIEW**

SCALE: 1/4" = 1'0"



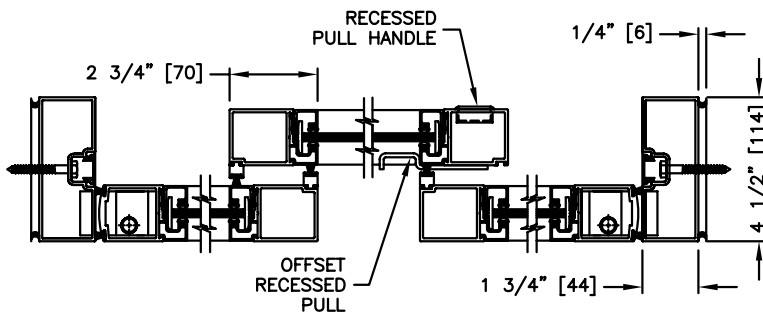
**PLAN VIEW**

SCALE: 1/4" = 1'0"



**SECTION: 2**

SCALE: 1/4" SIZE



**SECTION: 1**

SCALE: 1/2" = 1'0"

**NOTE:**

1. See sheets 59-2.39 thru 59-2.45 for optional muntins, bottom rails, transoms, glazing variations, bottom guides & thresholds.

**DIMENSIONS FOR STANDARD NARROW STILE PACKAGES**

DOOR OPENING "A"	STD. PACKAGE WIDTH "B"	STD. PACKAGE HEIGHT "C"	DOOR OPENING HEIGHT	MAX. OPENING MANUALLY
36 (914)	133-1/8 (3381)	87 (2210)	83-1/8 (2111)	121-7/8 (3096)
42 (1067)	151-1/8 (3839)	87 (2210)	83-1/8 (2111)	139-7/8 (3553)
48 (1219)	169-1/8 (4296)	87 (2210)	83-1/8 (2111)	157-7/8 (4010)

Masonry Opening is 1/4" (6) per side larger and 1/4" taller than package dimensions.  
Measurements given in inches (millimeters).