



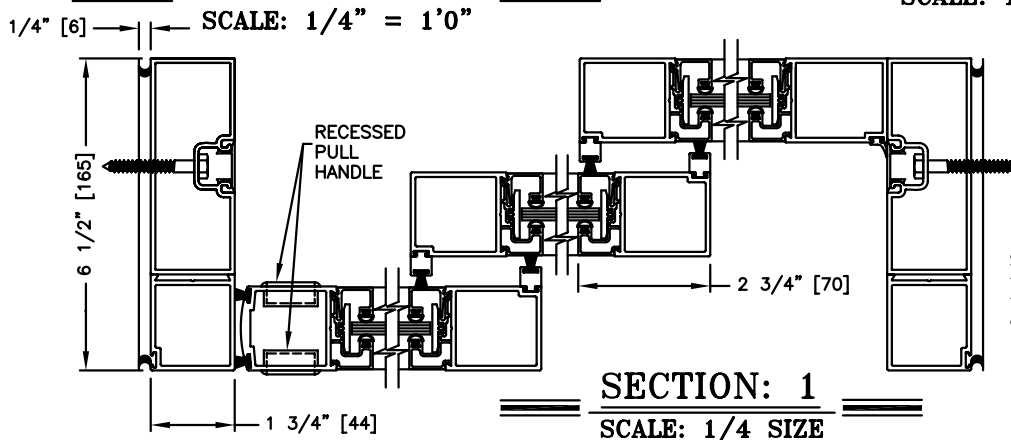
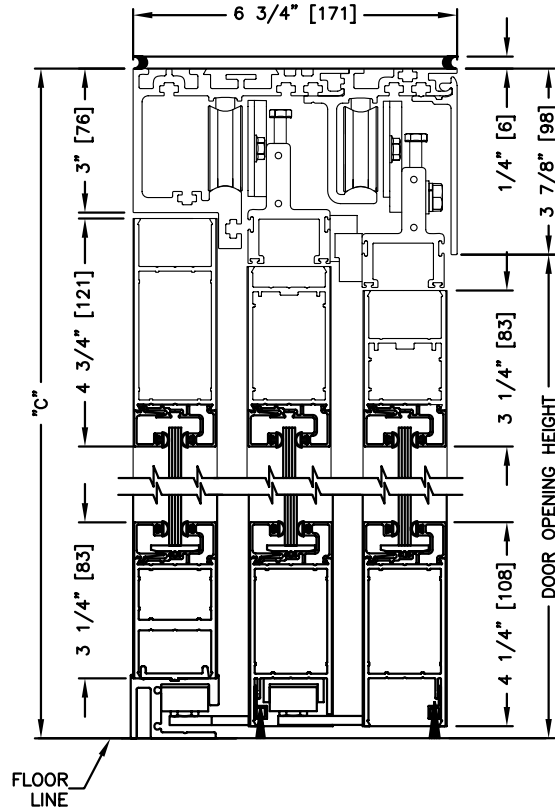
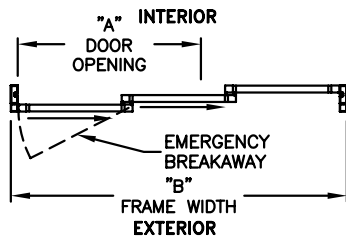
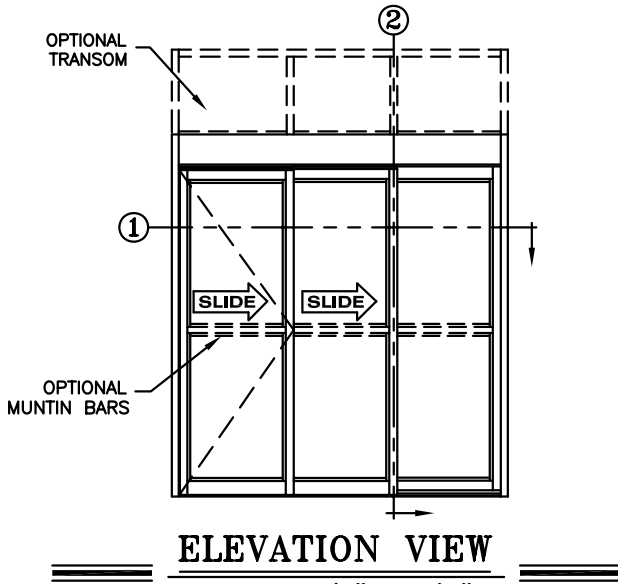
**record-usa**  
4910 STARCREST DR.  
MONROE, NC 28110  
(704) 289 - 9212

JOB NAME: \_\_\_\_\_  
LOCATION: \_\_\_\_\_

**5900 SERIES MANUAL SLIDING DOORS**

TYPE: 5920-1, SX-X-0, R.H. TELESCOPE

PAGE 59-2.22



**NOTE:**

See sheets 59-2.39 thru 59-2.45 for optional muntins, bottom rails, transoms, glazing variations, bottom guides & thresholds.

**DIMENSIONS FOR STANDARD NARROW STILE PACKAGES**

DOOR OPENING "A"	STD. PACKAGE WIDTH "B"	STD. PACKAGE HEIGHT "C"	DOOR OPENING HEIGHT	MAX. OPENING MANUALLY
44-3/4 (1137)	84 (2134)	87 (2210)	83-1/8 (2111)	48-5/16 (1227)
52-3/4 (1340)	96 (2438)	87 (2210)	83-1/8 (2111)	56-5/16 (1430)
60-3/4 (1543)	108 (2743)	87 (2210)	83-1/8 (2111)	64-5/16 (1634)
68-3/4 (1746)	120 (3048)	87 (2210)	83-1/8 (2111)	72-5/16 (1837)
84-3/4 (2153)	144 (3658)	87 (2210)	83-1/8 (2111)	88-5/16 (2243)

Masonry Opening is 1/4" (6) per side larger and 1/4" taller than package dimensions.  
Measurements given in inches (millimeters).