

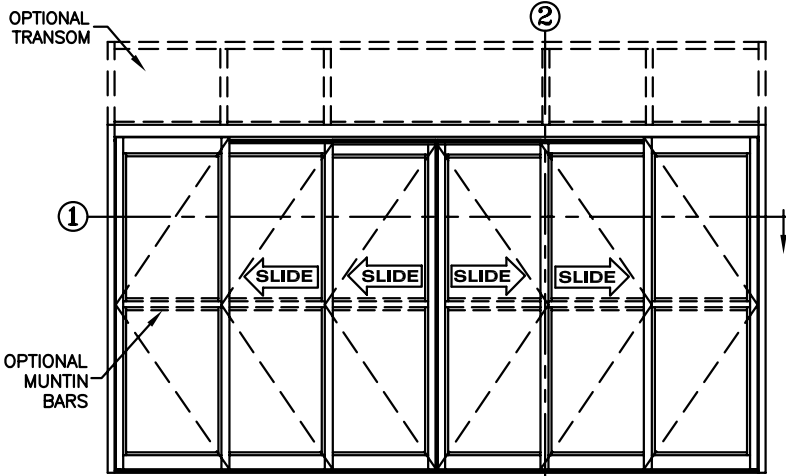


**record-usa**  
4910 STARCREST DR.  
MONROE, NC 28110  
(704) 289 - 9212

JOB NAME: \_\_\_\_\_  
LOCATION: \_\_\_\_\_

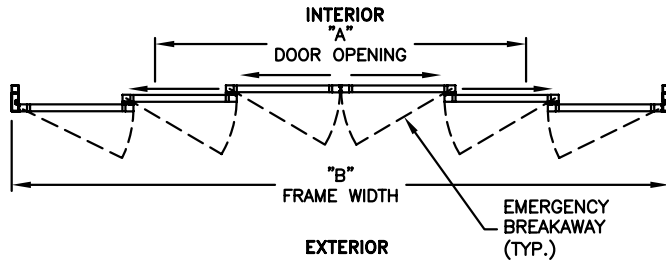
**RAPID ACCESS MANUAL SLIDING DOORS**

TYPE: 5924-1, S0-SX-SX-SX-S0,  
BI-PART TELESCOPE  
RECESSED PIN GUIDE



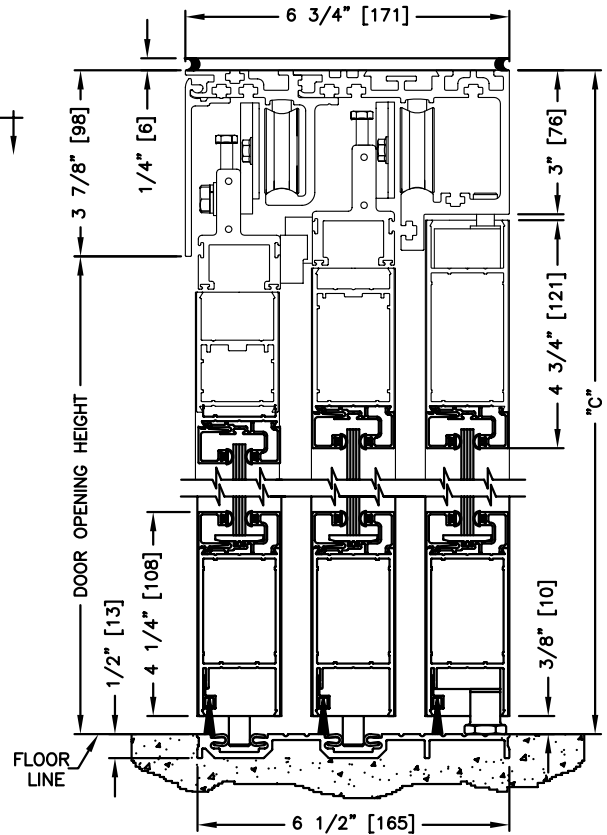
**ELEVATION VIEW**

SCALE: 1/4" = 1'0"



**PLAN VIEW**

SCALE: 1/4" = 1'0"

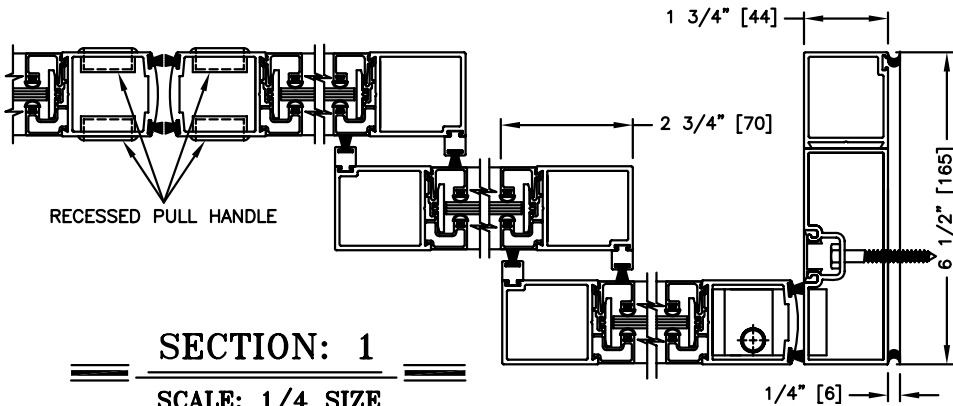


**SECTION: 2**

SCALE: 1/4 SIZE

**NOTE:**

1. See sheets 59-2.39 thru 59-2.45 for optional muntins, bottom rails, transoms, glazing variations, bottom guides & thresholds.



**SECTION: 1**

SCALE: 1/4 SIZE

**DIMENSIONS FOR STANDARD NARROW STILE PACKAGES**

DOOR OPENING "A"	STD. PACKAGE WIDTH "B"	STD. PACKAGE HEIGHT "C"	DOOR OPENING HEIGHT	MAX. OPENING MANUALLY
43-3/4 (1111)	96 (2438)	87 (2210)	83-1/8 (2111)	74-1/2 (1892)
51-3/4 (1314)	108 (2743)	87 (2210)	83-1/8 (2111)	86-1/2 (2197)
59-3/4 (1518)	120 (3048)	87 (2210)	83-1/8 (2111)	98-1/2 (2502)
75-3/4 (1924)	144 (3658)	87 (2210)	83-1/8 (2111)	122-1/2 (3112)
91-3/4 (2330)	168 (4267)	87 (2210)	83-1/8 (2111)	146-1/2 (3721)

Masonry Opening is 1/4" (6) per side larger and 1/4" taller than package dimensions.  
Measurements given in inches (millimeters).