

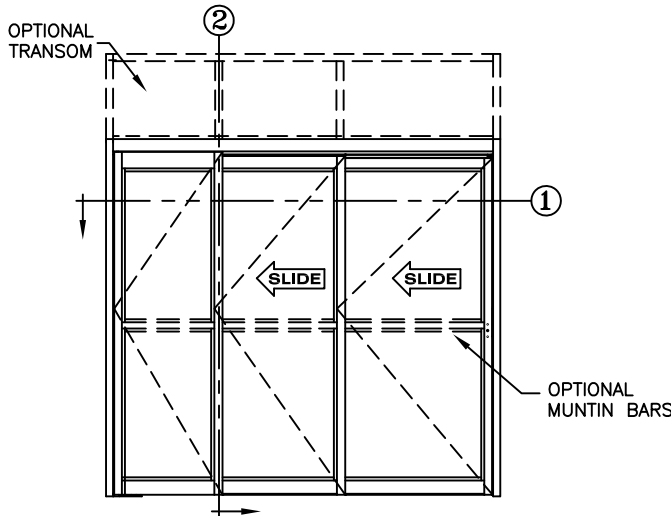


**record-usa**  
4910 STARCREST DR.  
MONROE, NC 28110  
(704) 289 - 9212

JOB NAME: \_\_\_\_\_  
LOCATION: \_\_\_\_\_

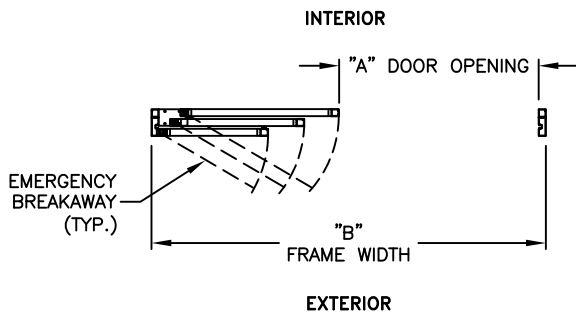
**5900 SERIES MANUAL SLIDING DOORS**

TYPE: 5922-1, S0-SX-SX, L.H. 3 PANEL TELESCOPE  
TRACKLESS BOTTOM GUIDE  
PAGE 59-2.27



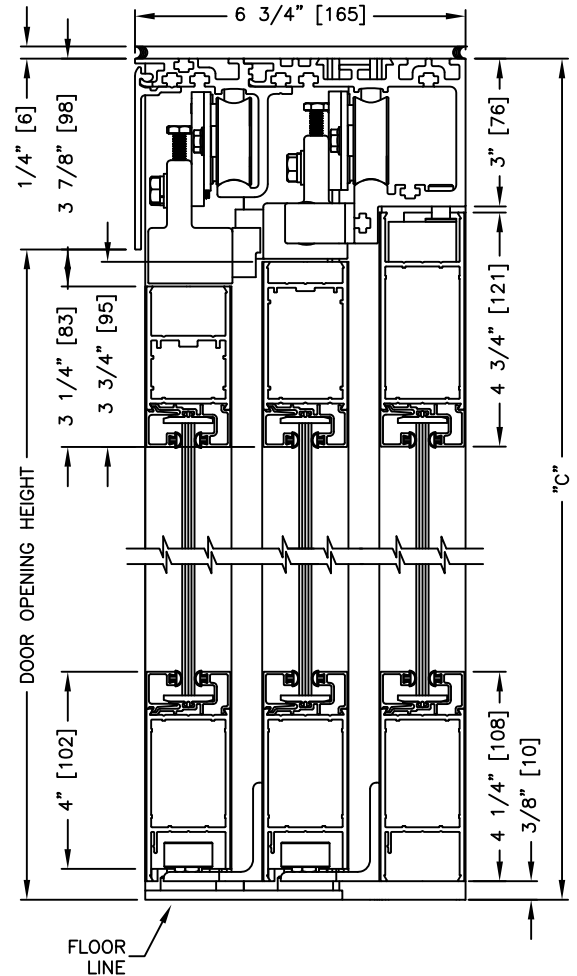
**ELEVATION VIEW**

SCALE: 1/4" = 1'0"



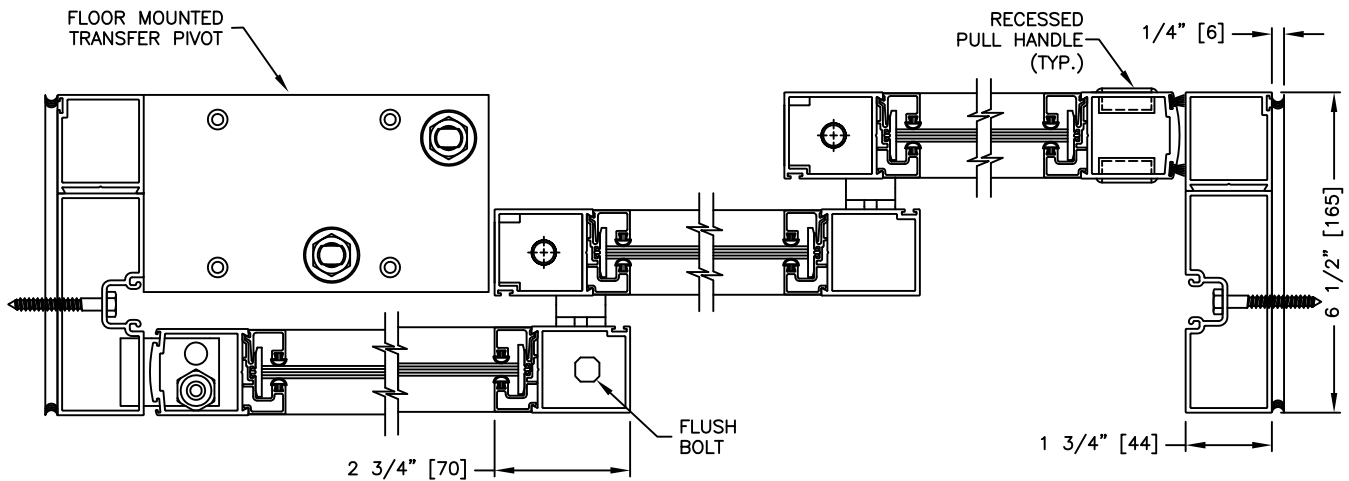
**PLAN VIEW**

SCALE: 1/4" = 1'0"



**SECTION: 2**

SCALE: 1/4 SIZE



**SECTION: 1**

SCALE: 1/4 SIZE

- NOTE:**
1. See sheets 59-2.39 thru 59-2.45 for optional muntins, bottom rails, transoms, glazing variations, bottom guides & thresholds.
  2. Jambs are 1/2" longer than specified package height ("C" dimension) and must be recessed into floor with pin guide.