



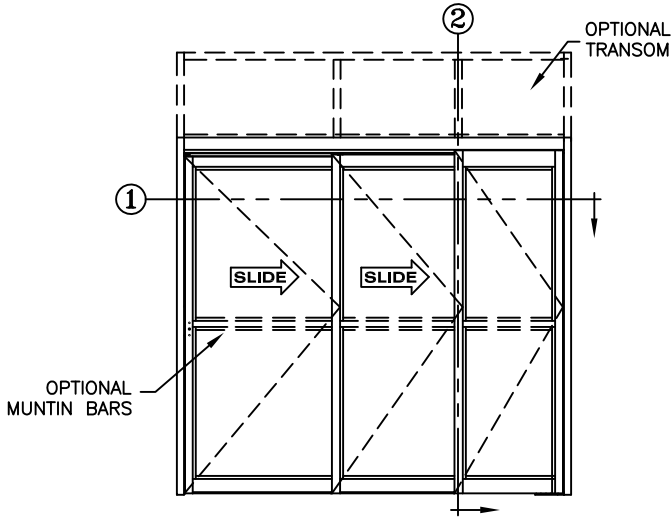
record-usa
4910 STARCREST DR.
MONROE, NC 28110
(704) 289 - 9212

JOB NAME: _____

LOCATION: _____

5900 SERIES MANUAL SLIDING DOORS

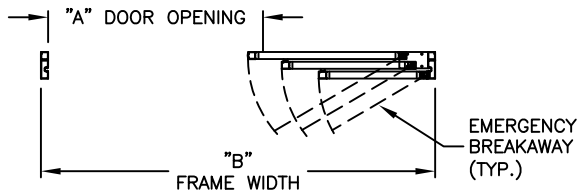
TYPE: 5923-1, SX-SX-SO, R.H. 3 PANEL TELESCOPE
TRACKLESS BOTTOM GUIDE PAGE 59-2.28



ELEVATION VIEW

SCALE: 1/4" = 1'0"

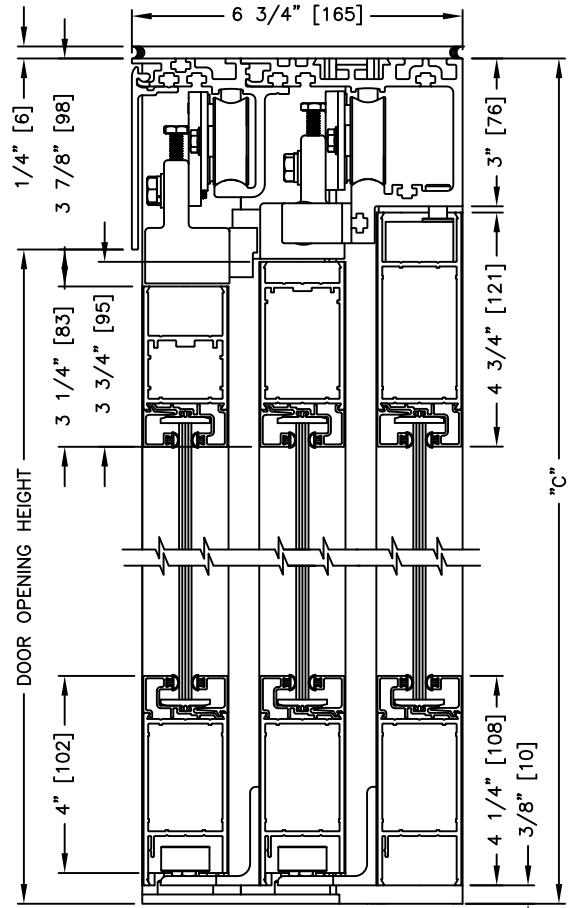
INTERIOR



EXTERIOR

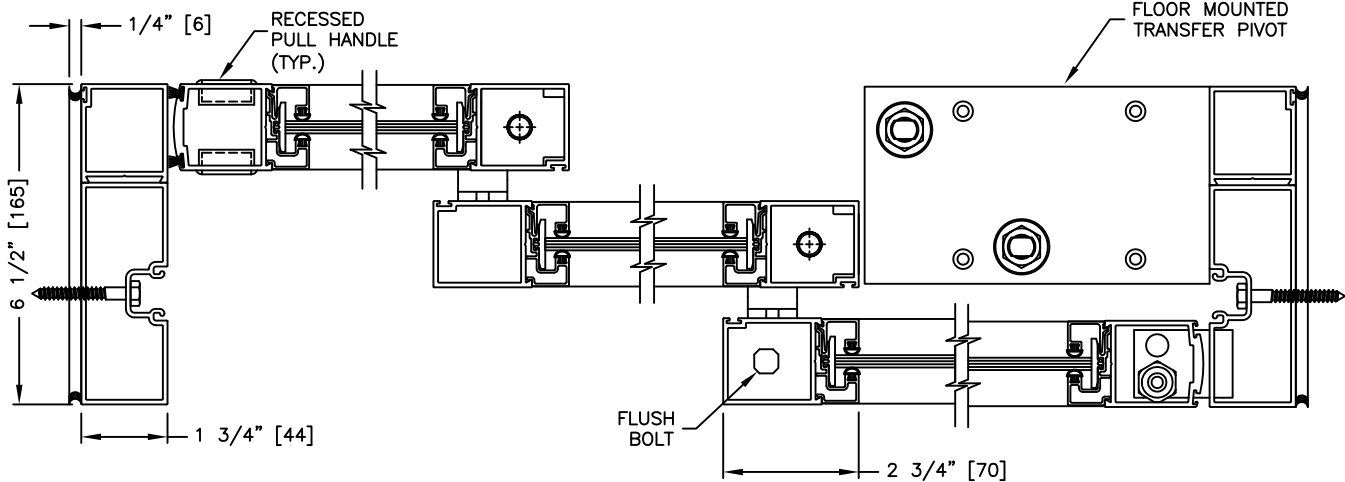
PLAN VIEW

SCALE: 1/4" = 1'0"



SECTION: 2

SCALE: 1/4 SIZE



SECTION: 1

SCALE: 1/4 SIZE

- NOTE:**
1. See sheets 59-2.39 thru 59-2.45 for optional muntins, bottom rails, transoms, glazing variations, bottom guides & thresholds.
 2. Jambes are 1/2" longer than specified package height ("C" dimension) and must be recessed into floor with pin guide.