



record-usa
4910 STARCREST DR.
MONROE, NC 28110
(704) 289 - 9212

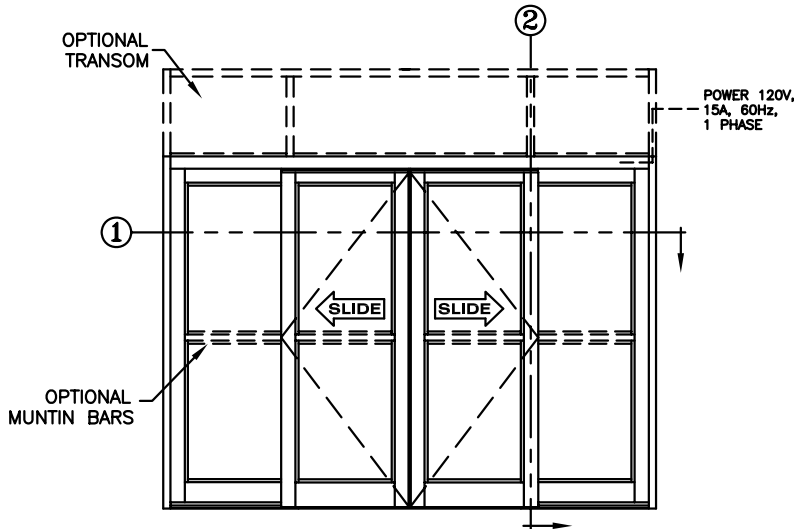
JOB NAME: _____

LOCATION: _____

5900 SERIES MANUAL SLIDING DOORS

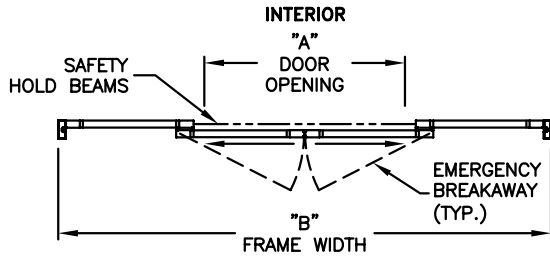
TYPE: 5903-2, 0-SX-SX-0, BI-PART
MEDIUM STILE

PAGE 59-2.32



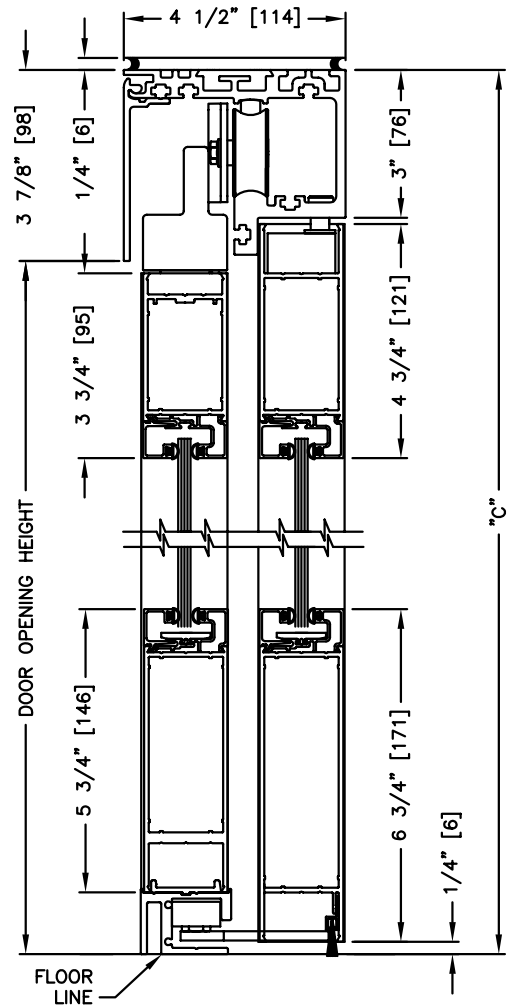
ELEVATION VIEW

SCALE: 1/4" = 1'0"



PLAN VIEW

SCALE: 1/4" = 1'0"

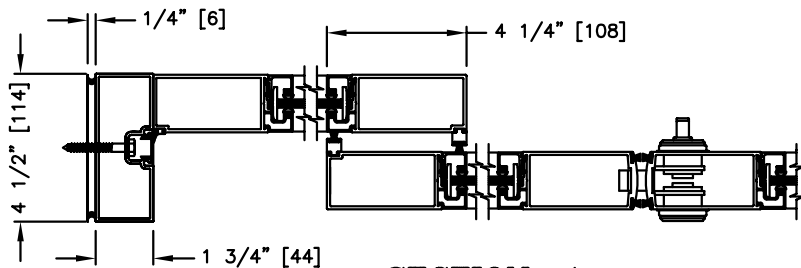


SECTION: 2

SCALE: 1/4 SIZE

NOTE:

See sheets 59-2.39 thru 59-2.45 for optional muntins, bottom rails, transoms, glazing variations, bottom guides & thresholds.



SECTION: 1

SCALE: 1/2" = 1'0"

* FIXED PANEL HEIGHT SHOWN IS FOR UNITS W/O THRESHOLD. FOR UNITS W/THRESHOLD, FIXED PANEL HEIGHT IS 82-1/16" [2084].

DIMENSIONS FOR STANDARD MEDIUM STILE PACKAGES

DOOR OPENING "A"	STD. PACKAGE WIDTH "B"	STD. PACKAGE HEIGHT "C"	DOOR OPENING HEIGHT	MAX. OPENING MANUALLY
38 (965)	108 (2743)	87 (2210)	83-1/8 (2111)	48-1/8 (1222)
44 (1118)	120 (3048)	87 (2210)	83-1/8 (2111)	54-1/8 (1375)
56 (1422)	144 (3658)	87 (2210)	83-1/8 (2111)	66-1/8 (1680)
68 (1727)	168 (4267)	87 (2210)	83-1/8 (2111)	78-1/8 (1984)
80 (2032)	192 (4877)	87 (2210)	83-1/8 (2111)	90-1/8 (2289)

Masonry Opening is 1/4" (6) per side larger and 1/4" taller than package dimensions.
Measurements given in inches (millimeters).