

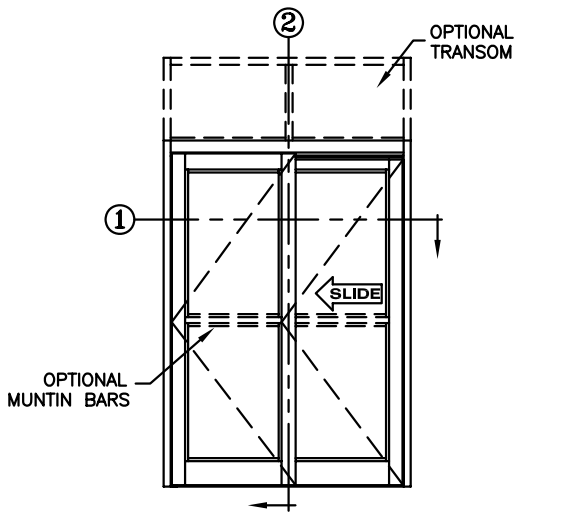


record-usa
4910 STARCREST DR.
MONROE, NC 28110
(704) 289 - 9212

JOB NAME: _____
LOCATION: _____

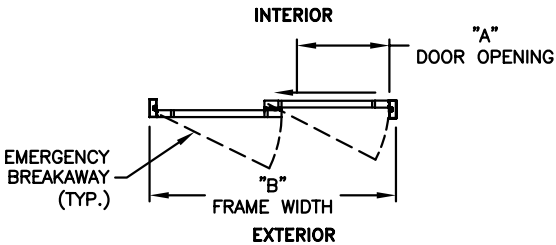
RAPID ACCESS MANUAL SLIDING DOORS

TYPE: 5904-2, S0-SX, L.H. SINGLE, MEDIUM STILE
RECESSED PIN GUIDE
PAGE 59-2.33



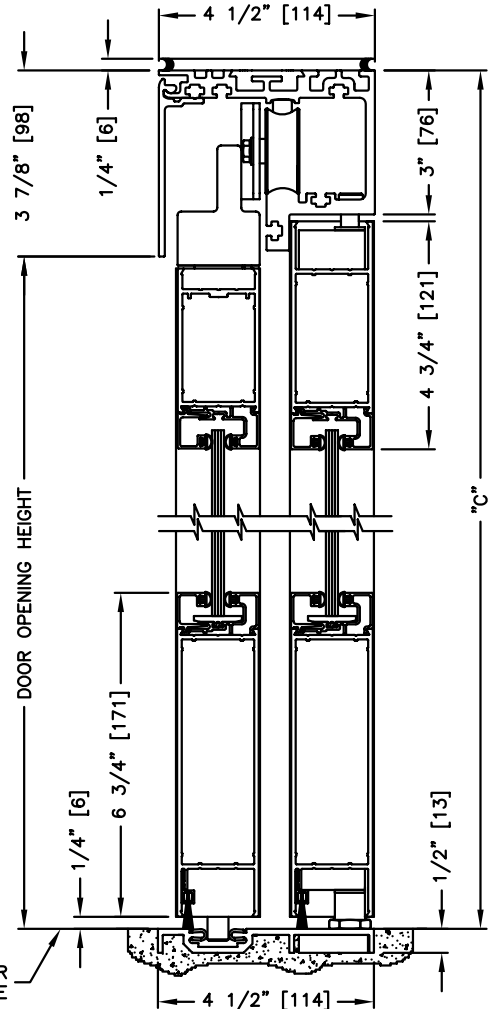
ELEVATION VIEW

SCALE: 1/4" = 1'0"



PLAN VIEW

SCALE: 1/4" = 1'0"

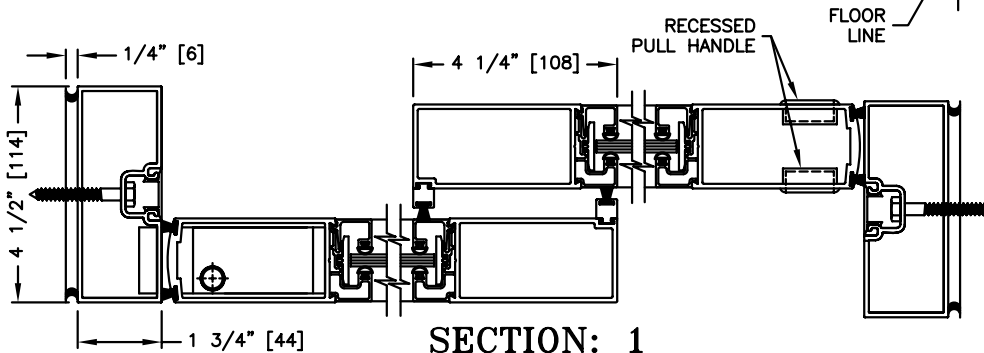


SECTION: 2

SCALE: 1/4 SIZE

NOTES:

- See sheets 11-2.53 thru 11-2.56 for optional muntins, bottom rails, transoms and glazing variations.



SECTION: 1

SCALE: 1/4 SIZE

DIMENSIONS FOR STANDARD MEDIUM STILE PACKAGES

DOOR OPENING "A"	STD. PACKAGE WIDTH "B"	STD. PACKAGE HEIGHT "C"	DOOR OPENING HEIGHT	MAX. OPENING MANUALLY
33-1/8 (841)	84 (2134)	87 (2210)	83-1/8 (2111)	73-9/16 (1868)
39-1/8 (994)	96 (2438)	87 (2210)	83-1/8 (2111)	85-9/16 (2173)
42-1/8 (1070)	102 (2591)	87 (2210)	83-1/8 (2111)	91-9/16 (2326)
45-1/8 (1146)	108 (2743)	87 (2210)	83-1/8 (2111)	97-9/16 (2478)

Masonry Opening is 1/4" (6) per side larger and 1/4" taller than package dimensions.
Measurements given in inches (millimeters).