



record-usa
4910 STARCREST DR.
MONROE, NC 28110
(704) 289 - 9212

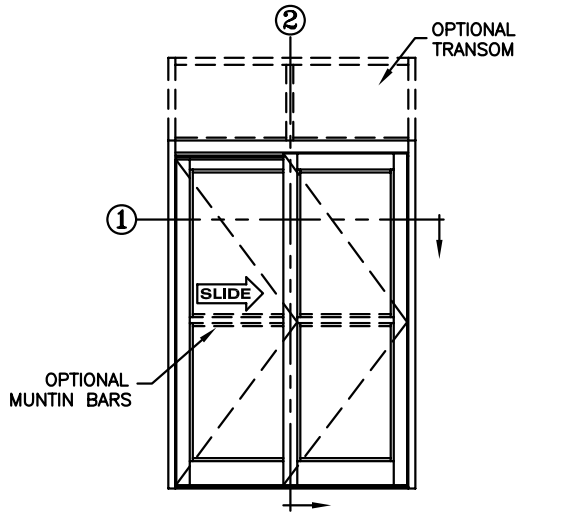
JOB NAME: _____

LOCATION: _____

5900 SERIES MANUAL SLIDING DOORS

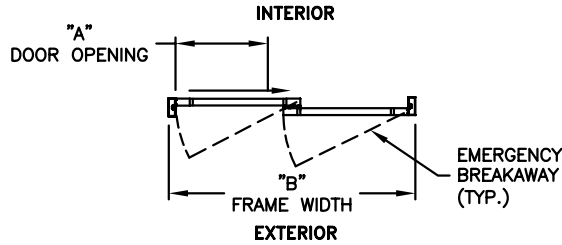
TYPE: 5905-2, SX-S0, R.H. SINGLE, MEDIUM STILE
RECESSED PIN GUIDE

PAGE 59-2.34



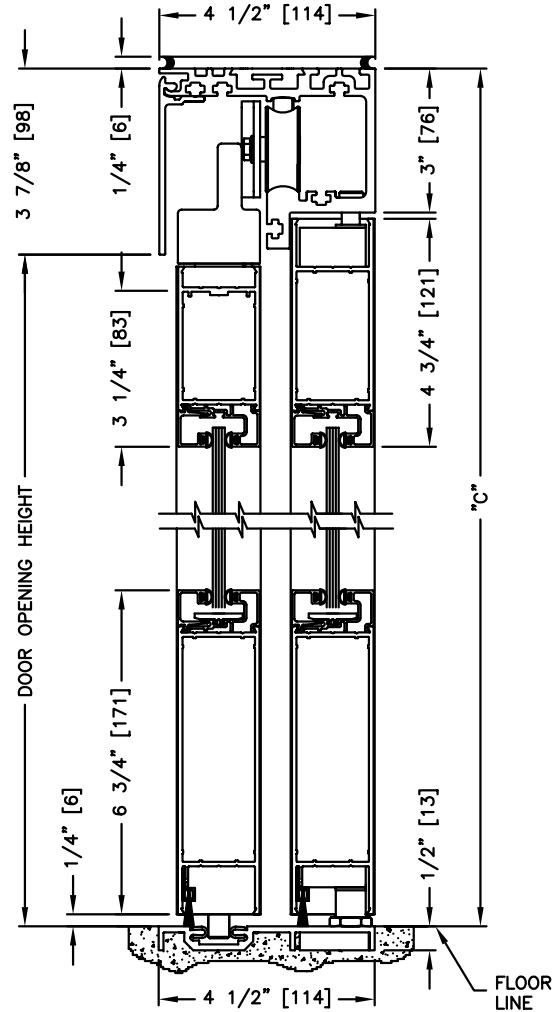
ELEVATION VIEW

SCALE: 1/4" = 1'0"



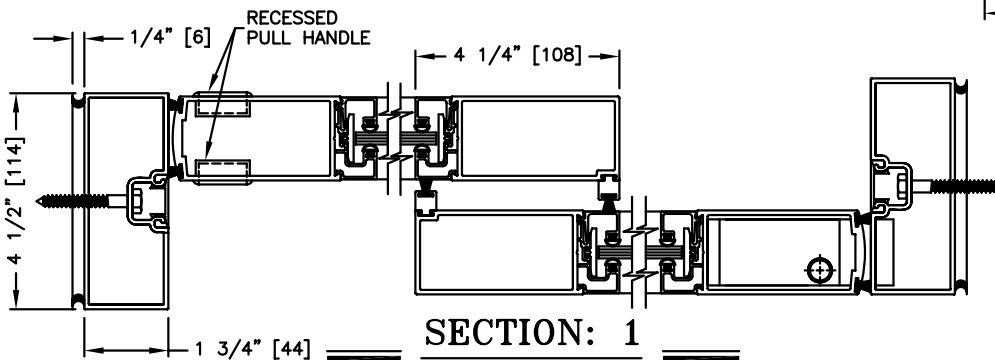
PLAN VIEW

SCALE: 1/4" = 1'0"



SECTION: 2

SCALE: 1/4 SIZE



SECTION: 1

SCALE: 1/4 SIZE

NOTE:

1. See sheets 59-2.39 thru 59-2.45 for optional muntins, bottom rails, transoms, glazing variations, bottom guides & thresholds.

DIMENSIONS FOR STANDARD MEDIUM STILE PACKAGES

DOOR OPENING "A"	STD. PACKAGE WIDTH "B"	STD. PACKAGE HEIGHT "C"	DOOR OPENING HEIGHT	MAX. OPENING MANUALLY
33-1/8 (841)	84 (2134)	87 (2210)	83-1/8 (2111)	73-9/16 (1868)
39-1/8 (994)	96 (2438)	87 (2210)	83-1/8 (2111)	85-9/16 (2173)
42-1/8 (1070)	102 (2591)	87 (2210)	83-1/8 (2111)	91-9/16 (2326)
45-1/8 (1146)	108 (2743)	87 (2210)	83-1/8 (2111)	97-9/16 (2478)

Masonry Opening is 1/4" (6) per side larger and 1/4" taller than package dimensions.
Measurements given in inches (millimeters).