

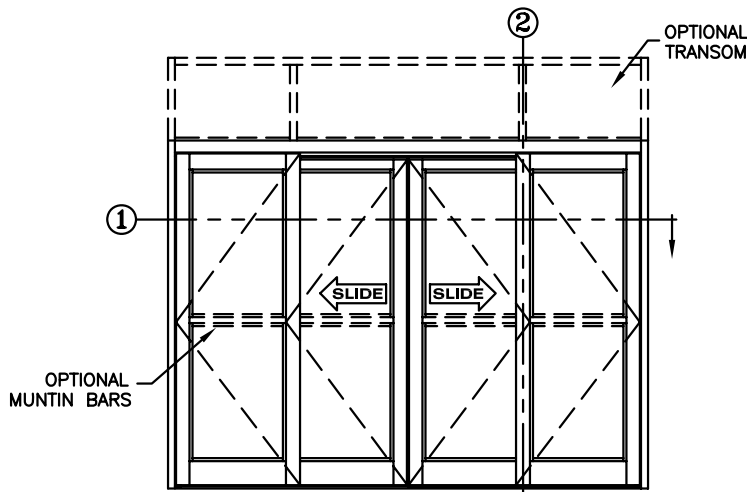


**record-usa**  
4910 STARCREST DR.  
MONROE, NC 28110  
(704) 289 - 9212

JOB NAME: \_\_\_\_\_  
LOCATION: \_\_\_\_\_

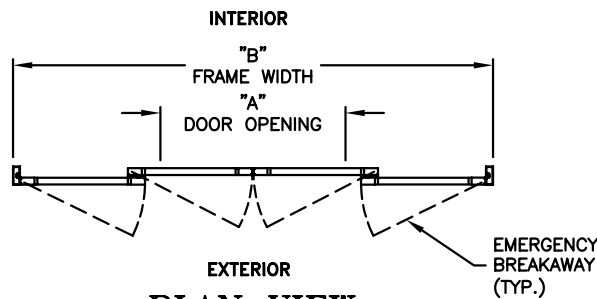
**5900 SERIES MANUAL SLIDING DOORS**

TYPE: 5906-2, SO-SX-SX-SO, BI-PART, MEDIUM STILE  
SURFACE PIN GUIDE PAGE 59-2.35



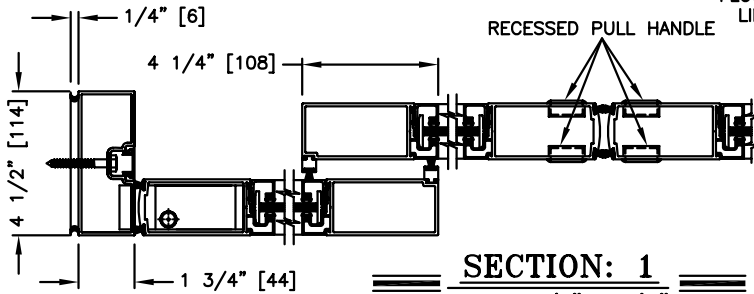
**ELEVATION VIEW**

SCALE: 1/4" = 1'0"



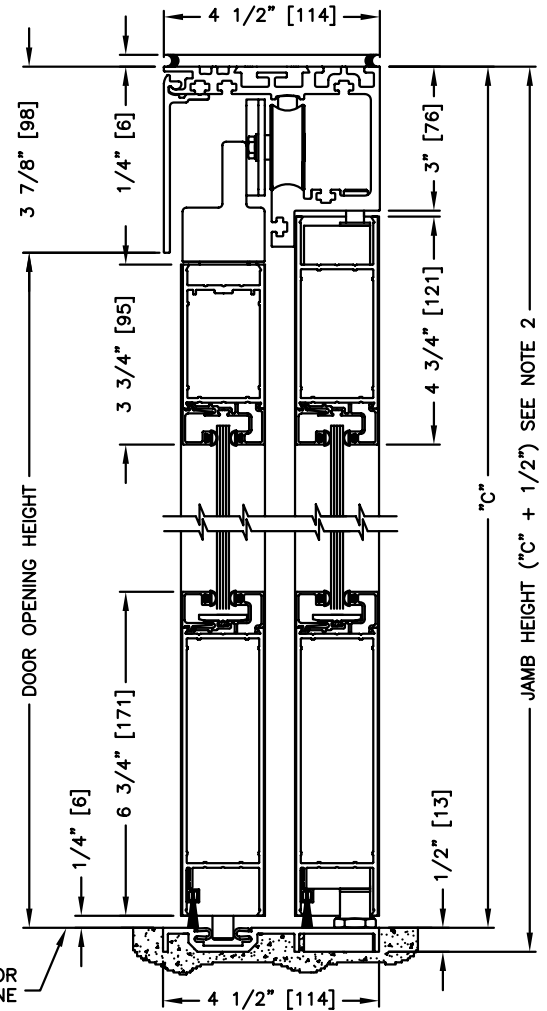
**PLAN VIEW**

SCALE: 1/4" = 1'0"



**SECTION: 1**

SCALE: 1/2" = 1'0"



**SECTION: 2**

SCALE: 1/4" SIZE

**NOTE:**

- See sheets 59-2.35 thru 59-2.45 for optional muntins, bottom rails, transoms, glazing variations, bottom guides & thresholds.
- Jamb's are 1/2" longer than specified package height ("C" dimension) and must be recessed into floor with pin guide.

**DIMENSIONS FOR STANDARD MEDIUM STILE PACKAGES**

DOOR OPENING "A"	STD. PACKAGE WIDTH "B"	STD. PACKAGE HEIGHT "C"	DOOR OPENING HEIGHT	MAX. OPENING MANUALLY	DOOR WIDTH X HEIGHT	SIDELITE WIDTH X HEIGHT
38 (965)	108 (2743)	86-1/2 (2197)	82-3/4 (2102)	90-5/8 (2302)	28-1/8 X 81-1/2 (714) X (2070)	28-1/8 X 83 (714) X (2108)
44 (1118)	120 (3048)	86-1/2 (2197)	82-3/4 (2102)	102-5/8 (2607)	31-1/8 X 81-1/2 (791) X (2070)	31-1/8 X 83 (791) X (2108)
56 (1422)	144 (3658)	86-1/2 (2197)	82-3/4 (2102)	126-5/8 (3216)	37-1/8 X 81-1/2 (943) X (2070)	37-1/8 X 83 (943) X (2108)
68 (1727)	168 (4267)	86-1/2 (2197)	82-3/4 (2102)	150-5/8 (3826)	43-1/8 X 81-1/2 (1095) X (2070)	43-1/8 X 83 (1095) X (2108)
80 (2032)	192 (4877)	86-1/2 (2197)	82-3/4 (2102)	174-5/8 (4435)	49-1/8 X 81-1/2 (1248) X (2070)	49-1/8 X 83 (1248) X (2108)

Masonry Opening is 1/4" (6) per side larger and 1/4" taller than package dimensions.  
Measurements given in inches (millimeters).