

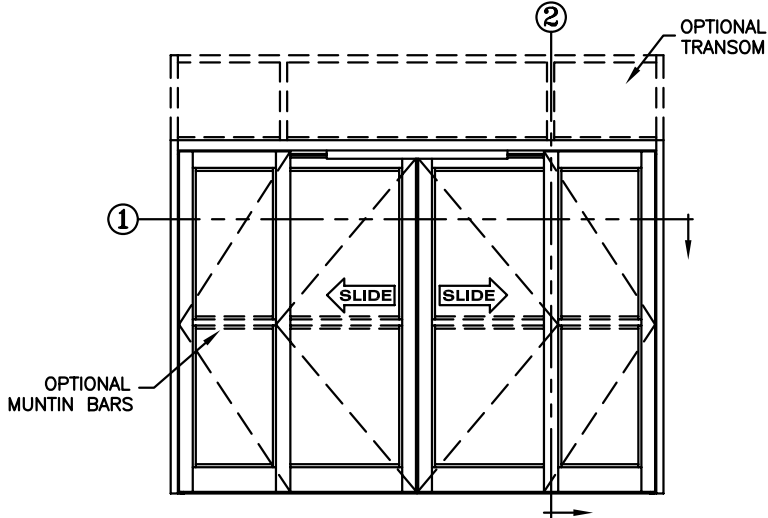


record-usa
4910 STARCREST DR.
MONROE, NC 28110
(704) 289 - 9212

JOB NAME: _____
LOCATION: _____

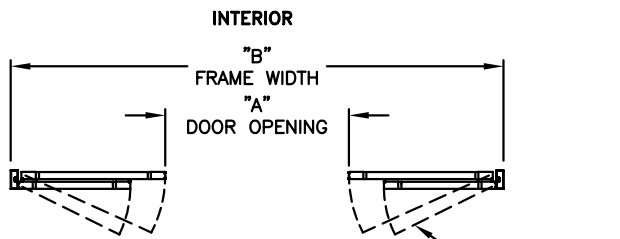
5900 SERIES MANUAL SLIDING DOORS

TYPE: 5906-2, SO-SX-SX-SO, BI-PART
MEDIUM STILE
TRACKLESS BOTTOM GUIDE



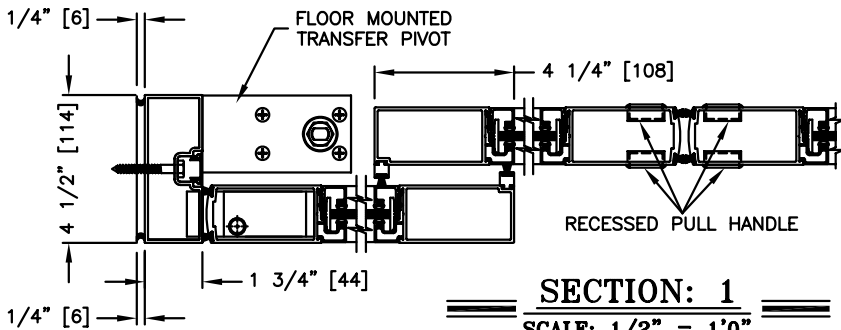
ELEVATION VIEW

SCALE: 1/4" = 1'0"



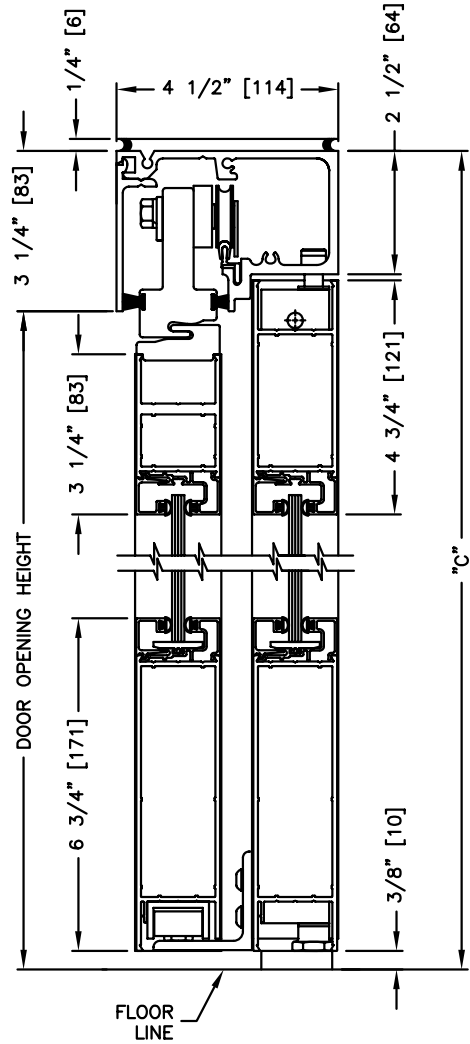
PLAN VIEW

SCALE: 1/4" = 1'0"



SECTION: 1

SCALE: 1/2" = 1'0"



SECTION: 2

SCALE: 1/4" SIZE

NOTES:

1. See sheets 59-2.39 thru 59-2.45 for optional muntins, bottom rails, transoms and glazing variations.
2. Panels breakaway only when sliding door is fully open and flush bolt at the top of the "SO" panel is released.

DIMENSIONS FOR STANDARD MEDIUM STILE PACKAGES

DOOR OPENING "A"	STD. PACKAGE WIDTH "B"	STD. PACKAGE HEIGHT "C"	DOOR OPENING HEIGHT	MAX. OPENING MANUALLY
42 (1067)	122-1/2 (3112)	87 (2210)	82 (2083)	109-5/8 (2784)
48 (1219)	134-1/2 (3416)	87 (2210)	82 (2083)	121-5/8 (3089)
60 (1524)	158-1/2 (4026)	87 (2210)	82 (2083)	145-5/8 (3699)
72 (1829)	182-1/2 (4636)	87 (2210)	82 (2083)	169-5/8 (4308)
84 (2134)	206-1/2 (5245)	87 (2210)	82 (2083)	193-5/8 (4918)

Masonry Opening is 1/4" (6) per side larger and 1/4" taller than package dimensions.
Measurements given in inches (millimeters).